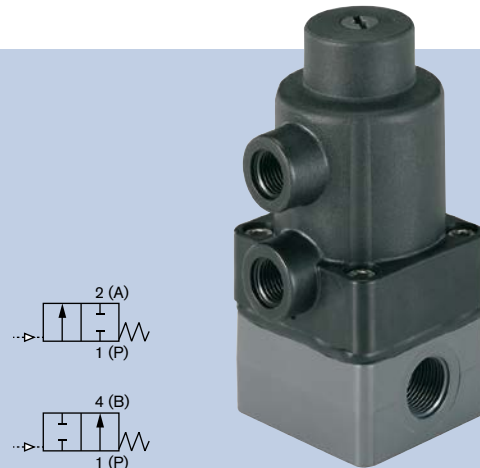


2/2-way Diaphragm Valve with plastic body, pneumatically operated

- Easy conversion of the control function
- Use with aggressive and contaminate mediums
- Threaded port version
- Compact design
- Optical position indicator



2/2-way plastic diaphragm valve, pilot operated with pneumatic actuator and spring return. Used for polluted medium in process and water technology.

Technical Data

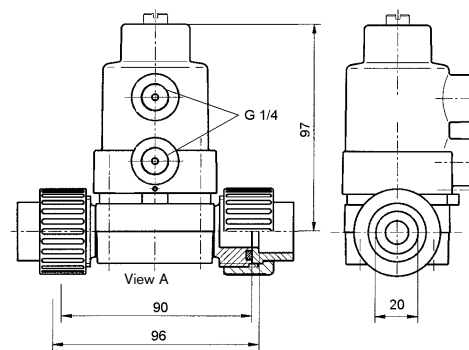
Orifice	DN12 and 15 mm
Body material	PVC-U, PP
Seal material	EPDM
Actuator material	PP, glass-fibre reinforced
Medium	Neutral or aggressive medium that do not attack the body and seal materials
Medium temperature	See pressure temperature chart
Ambient temperature	0 °C to +60 °C
Control medium	Lubricated/non-lubricated compressed air and other neutral medium (e.g., water)
Pilot pressure	Max. 7 bar
Port connections	Threaded port Ø 16, Ø 20 and G 3/8" Threaded port Ø 20 radially expandable
Installation	As required, preferably with actuator in upright position

Options

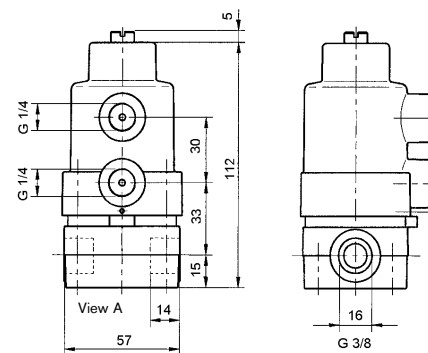
Double-acting actuator (circuit function I)

Body material, PVDF

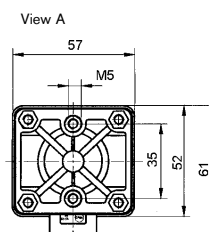
Envelope Dimensions [mm] (see datasheet for details)



True union connection Ø 20

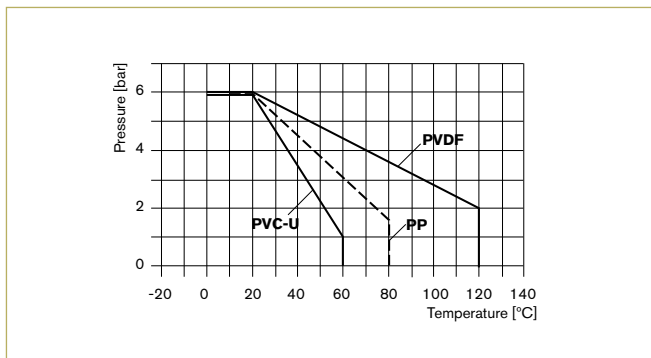


Threaded G 3/8, spigot connection Ø 16



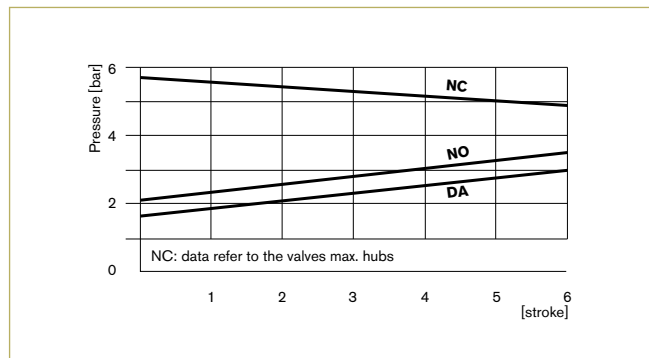
Pressure temperature chart

depending on the body materials



Pilot-pressure chart

NC = Control function A, NO = Control function B, DA = Control function I



Ordering Chart

Control function	Orifice [mm]	Kv value water [m ³ /h]	Pressure range at +20 °C [bar]	Body material	Port connection	Item no.
A 2/2-way, normally closed	12	2.8	0 - 6	PVC-U	True union Ø 16 mm	784 822
				PVC-U	G 3/8"	784 824
	15	3.5	0 - 6	PVC-U	True union Ø 20 mm	784 826
B 2/2-way, normally open	12	2.8	0 - 6	PVC-U	True union Ø 16 mm	784 823
				PVC-U	G 3/8"	784 825
	15	3.5	0 - 6	PVC-U	True union Ø 20 mm	784 827

Accessories

Type	Pressure inlet P (valve body)	Service port A (banjo bolt)	Orifice [mm]	Qn value air [l/min]	Pressure range [bar]	Electrical connection	Power consumption [W]	Item no. voltage/frequency [V/Hz]	
								024/DC	230/50
3/2-way pilot valves with banjo bolts									
Seal material valve FKM, seal material banjo bolt NBR									
6012 P	Tube fitting Ø 6 mm	G 1/4"	1.2	48	0 - 10	Form B	4	552 283	552 286

Type	Item no.
Cable plug for Type 2507, Form B	
Type 2507, Form B Industrial standard 0 up to 250 V without circuitry (Type 6012 P)	423 845

Ordering Chart

Assembly variations	Communication	Electrical connection	Analogue feedback	2 Binary outputs	Binary input	Control function	Item no.
NAMUR IEC 534-6 VDI / VDE 3845							
	no	Cable gland	no	no	yes	single and double-acting	206 593
			no	yes	yes	single and double-acting	206 595
			yes	yes	yes	single and double-acting	206 594
	Profibus DPV1	Multipole	via Bus	no	yes	single and double-acting	206 600
			via Bus	yes	yes	single and double-acting	206 601
REMOTE							
ELEMENT Actuator Ø 70 mm/90 mm CLASSIC Actuator Ø 80 mm/100 mm	no	Cable gland	no	yes	yes	single-acting	224 873
			yes	yes	yes	single-acting	224 872
ELEMENT Actuator Ø 130 mm CLASSIC Actuator Ø 125/175/225 mm	no	Cable gland	no	no	yes	single and double-acting	206 607
			no	yes	yes	single and double-acting	206 609
			yes	yes	yes	single and double-acting	206 608

Accessories

Description	Item no.
Assembly bridge VDI / VDE 3845, Stainless steel	770 294
Adapter kit VDI / VDE 3845, Stainless steel	787 338
Adapter kit linear actuators IEC 534-6, stainless steel	787 215
Silencer G 1/4" (replacement part)	780 780
M12 socket, 8-pin, 2 m cable set	919 061
M8 plug, 4-pin for binary outputs, without cable	917 131
Feedback unit for end positions 2, PNP proximity switches	677 218
Remote Version	
Bracket for wall mounting, Stainless steel	675 715
Holder for DIN-Rail assembly Al/Stainless steel	675 702
Remote position sensor control valves CLASSIC Type 27xx	211 535
Remote position sensor control valves CLASSIC Type 23xx	212 360
Adapter kit for remote position sensor control valves Type 23xx	679 917
Adapter kit for remote position sensor control valves Type 27xx	
Actuator size Ø 80 mm	679 943
Actuator size Ø 100 mm / Ø 125 mm	677 215
Actuator size Ø 175 mm / Ø 225 mm	677 217

For dirty work.

Contaminated or adhesive media, such as waste oil and fat, often cause blocked control bores. Our servo-assisted valve 5282 is the exception: The 2/2-way allrounder has no pressure compensation bore in the diaphragm in which foreign objects could get stuck. What's more, no medium flows through the pilot valve in open position, which is unique among servo-assisted valves with 2-way pilot control. Last but not least, additional safety is provided by the material concept: The main valve housing and return springs are made from high quality stainless steel or plastic. This way aggressive media can also be controlled safely. A neat piece of work!

We make ideas flow.

