



Scan the barcode with your SmartPhone app and view the latest publication of this document

The SVF Series BEV9 is part of our family of Direct-Mount automated valves and is designed for superior performance in general purpose, plant-wide applications. The actuated package is available with an SVF NEMA 4 Pilot Valve and a NEXUS-LS NEMA 4 Limit Switch.

SERIES BEV9 VALVE DESIGN FEATURES

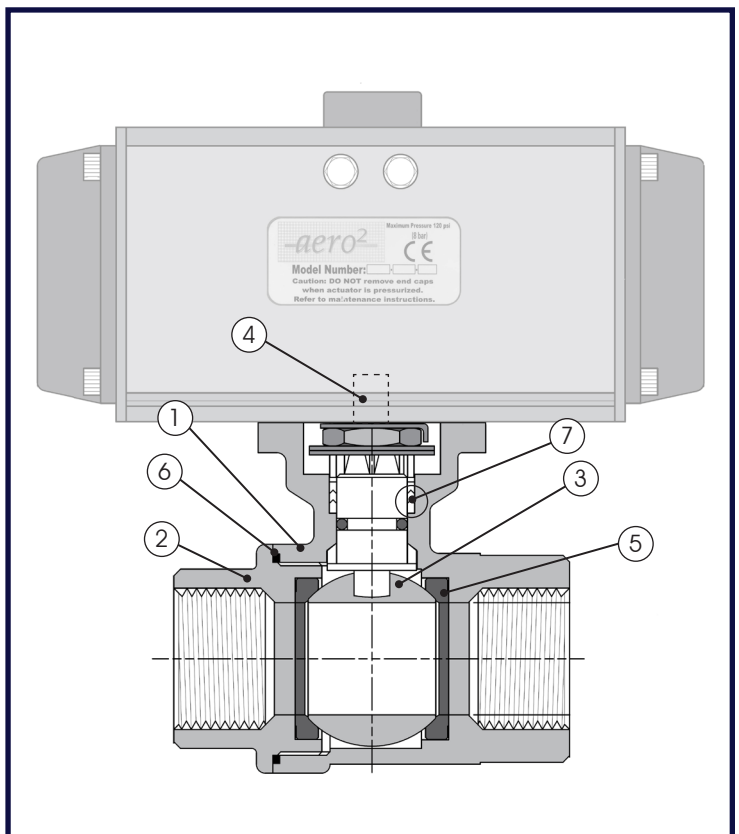
- ✓ 316 Stainless Steel body, ball and stem
- ✓ 316 Stainless Steel ends (FNPT)
- ✓ Designed & built for economical performance
- ✓ Pressure rated for 1000 WOG
- ✓ Full Port flow path for maximum flow
- ✓ Live-loaded stem seal design
- ✓ Blowout proof stem adds safety & reliability
- ✓ Fully automated package available with *aero*² actuators (Double Acting or Spring Return)
- ✓ Available with SVF NEMA 4 Pilot Valve and NEXUS-LS NEMA 4 Limit Switch



Screwed Ends (FNPT) are standard on the Series BEV9 Direct Mount Ball Valves.

MATERIALS OF CONSTRUCTION

ITEM #	DESCRIPTION	MATERIALS SPECIFICATIONS
1	Body	316 Stainless Steel (ASTM A351 CF8M)
2	End Connector	316 Stainless Steel (ASTM A351 CF8M)
3	Ball	316 Stainless Steel (ASTM A351 CF8M)
4	Stem	316 Stainless Steel
5	Seat	TFM1600™
6	Body Seal	PTFE
7	Stem Seal	RTFE



What do you need today?™

HIGH PURITY VALVES
CleanFLOW™
CleanFLOWValves.net

PRO-SPEC
PROCESS SPECIFIC
WWW.PRO-SPEC.NET

QUALITY FLOWS THROUGH US

Please visit www.SVF.net for the latest updates on this Data Sheet. All Data Sheets posted on our website supersede all prior publications. [Document #SVF_BEV9_Data_Sheet • Series BEV9/aero2 Data Sheet - 08/20/2013]

© SVF Flow Controls, Inc. • 13560 Larwin Circle • Santa Fe Springs, CA 90670 • Tel: 1.800.783.7836 • FAX: 562.802.3114

www.SVF.net

Sales@SVF.net • Visit our website: www.SVF.net • Specifications subject to change without notice

Two-Piece Actuated Ball Valve, *aero*² Assembly, Full Port Valve Sizes 1/2" ~ 2"



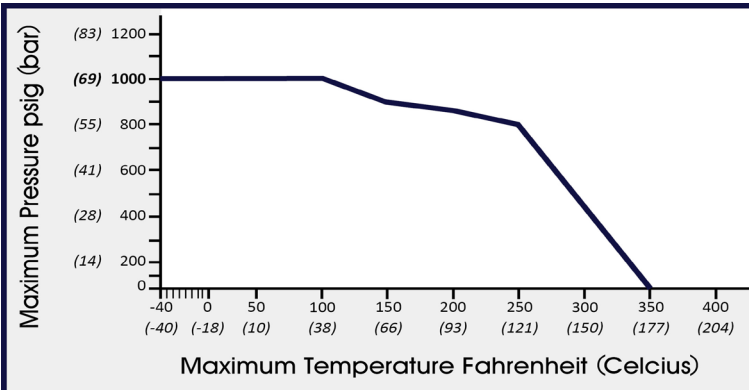
VALVE DIMENSIONS, Cv, TORQUE

Valve Size	A		B		Cv	Torque*	
	in.	mm	in.	mm		in-lbf	Nm
1/2"	2.57	65	1.45	37	37	62	7
3/4"	3.04	77	1.79	45	68	89	10
1"	3.49	89	2.12	54	110	133	15
1-1/2"	4.29	109	2.95	75	267	354	40
2"	4.93	125	3.35	85	485	398	45

*aero*² DIMENSIONS

<i>aero</i> ² Model	C		E		F	
	in.	mm	in.	mm	in.	mm
A2D-10	3.2	81	4.8	122	2.6	66
A2-20	3.6	91	5.8	147	2.8	71
A2-35	4.2	107	6.6	168	3.3	84
A2-50	4.7	119	7.3	185	3.7	94
A2-75	5.0	127	8.0	203	4.0	102
A2-110	5.4	137	10.4	264	4.3	109
A2-160	6.0	152.4	10.6	270	4.8	122

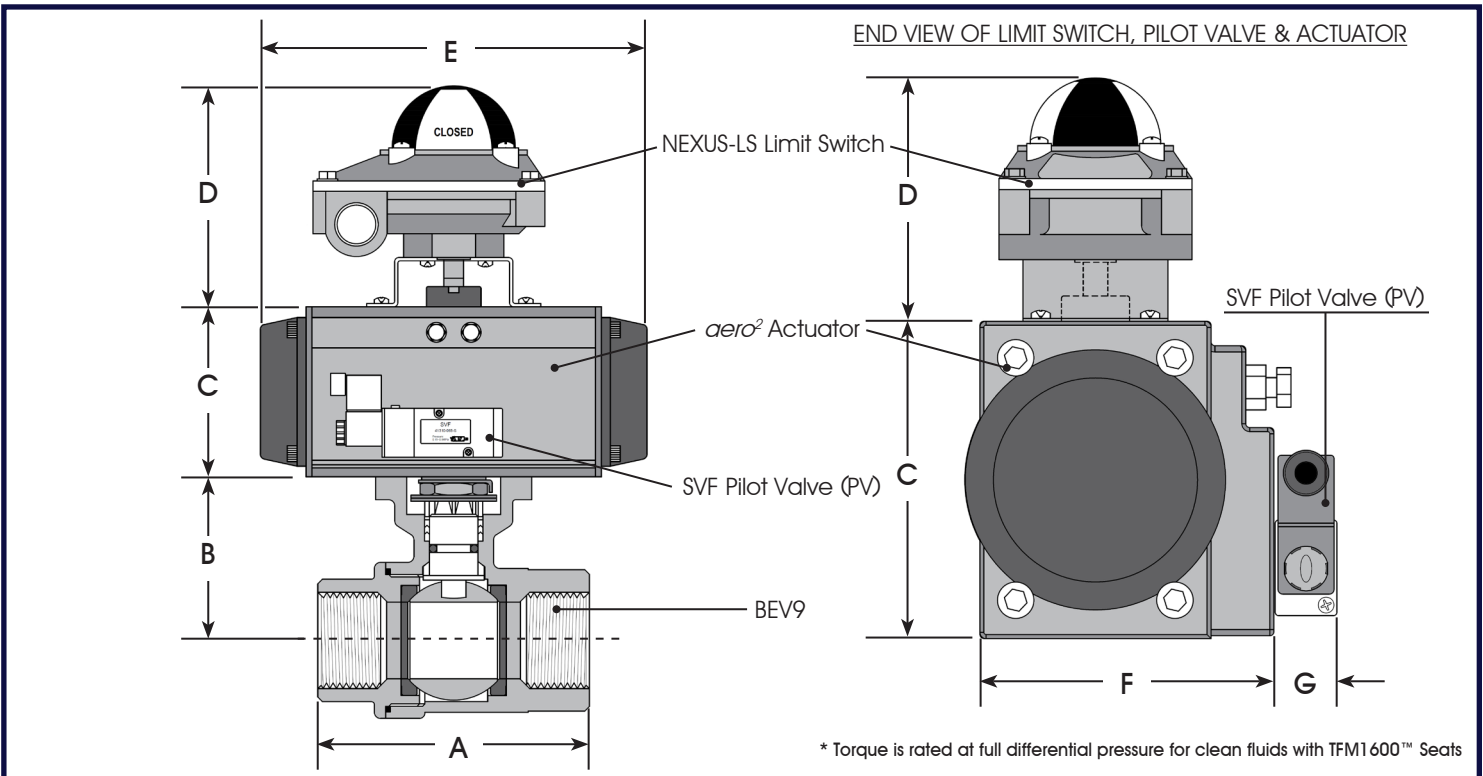
BEV9 PRESSURE/TEMPERATURE CHART



LIMIT SWITCH & PILOT VALVE DIMENSIONS

Limit Switch	in.	D	mm	Rating
NEXUS-LS	4.5		114	NEMA 4

Pilot Valve	in.	G (Max.)	mm
SVF PV (NEMA 4)	1.37		35

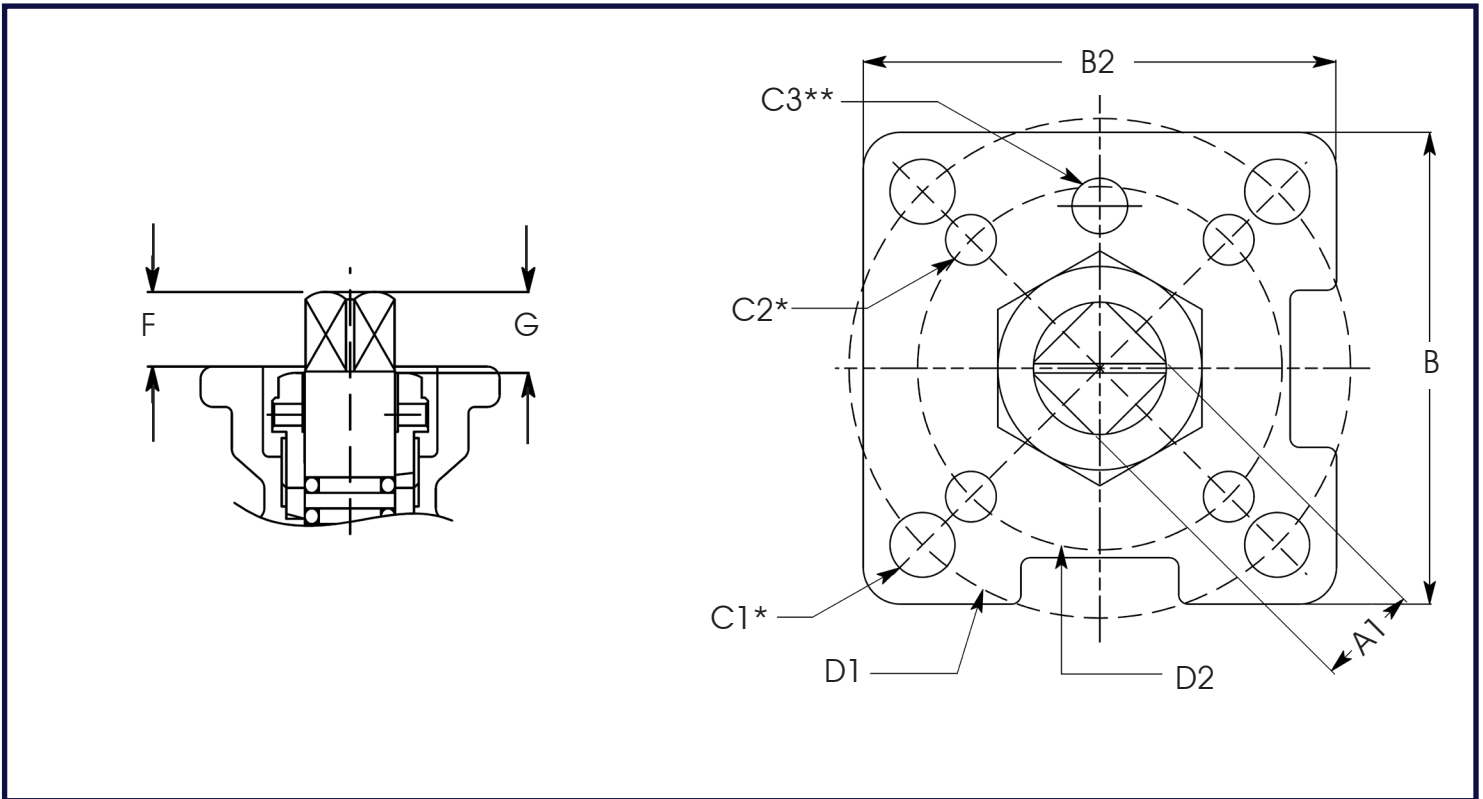


* Torque is rated at full differential pressure for clean fluids with TFM1600™ Seats

Two-Piece Actuated Ball Valve, *aero²* Assembly, Full Port
Valve Sizes 1/2" ~ 2"



TOPWORKS All dimensions are in inches.



VALVE SIZE	A1	B	B2	C1	C2	C3	D1	ISO 5211	D2	ISO 5211	F	G
1/2"	0.35	1.9	1.9	0.28	0.24	M5	1.97	F05	1.42	F03	0.33	0.37
3/4"	0.35	1.9	1.9	0.28	0.24	M5	1.97	F05	1.42	F03	0.33	0.37
1"	0.35	2.0	2.0	0.28	0.24	M5	1.97	F05	1.42	F03	0.45	0.41
1-1/2"	0.55	2.6	2.6	0.35	0.28	M5	2.76	F07	1.97	F05	0.55	0.61
2"	0.55	2.6	2.6	0.35	0.28	M5	2.76	F07	1.97	F05	0.55	0.61

HOW TO ORDER SERIES BEV9 BALL VALVES

Actuator selection provides a minimum of 20% safety factor on Spring Return models and a 1.0 safety factor on Double Acting models

Please refer to the next page for our comprehensive
How to Order Guide for Series BEV9 Ball Valves.

Pneumatic Double Acting & Spring Return Automated Ball Valve Packages

Series BEV9
Stainless Steel Ball Valve
Fully automated packages
available with aero2
Double Acting or Spring
Return actuators

Sizes 1/2" ~ 2"
 Direct Mount
 Full Port flow path
 1000 WOG Pressure Rating
 316 SS Body
 316 SS Ball & Stem
 TFM1600™ Seats
 PTFE Body Seals
 Live-loaded stem seal
 Blowout proof stem
 Screwed Ends (FNPT)

Air Supply:
 Sized for 60 psi and 80 psi

OPTIONS:



NEXUS-LS Limit Switch
NEMA 4 (2 SPDT)

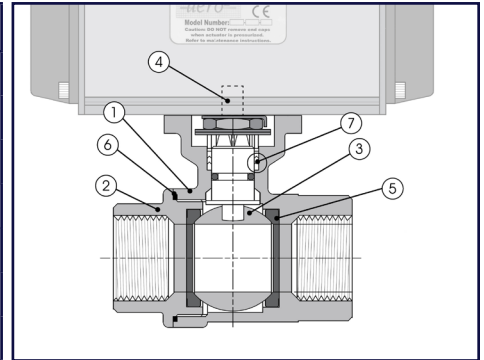


SVF Pilot Valve
NEMA 4 (110VAC)



The SVF Series BEV9 is part of our family of Direct-Mount automated valves and is designed for superior performance in general purpose, plant-wide applications. The actuated package is available with an SVF NEMA 4 Pilot Valve and a NEXUS-LS NEMA 4 Limit Switch.

ITEM #	DESCRIPTION	MATERIALS SPECIFICATIONS
1	Body	316 SS (ASTM A351 CF8M)
2	Ends	316 SS (ASTM A351 CF8M)
3	Ball	316 SS (ASTM A351 CF8M)
4	Stem	316 Stainless Steel
5	Seat	TFM1600™
6	Body Seal	PTFE
7	Stem Seal	RTFE



HOW TO ORDER BEV9 ACTUATOR PACKAGES

DOUBLE ACTING ACTUATOR PACKAGES

Valve Size	60 psi Part Number	80 psi Part Number
1/2"	BEV9ANA-XX-05	BEV9ANA-XX-05
3/4"	BEV9BNA-XX-07	BEV9ANA-XX-07
1"	BEV9BNA-XX-10	BEV9BNA-XX-10
1-1/2"	BEV9DNA-XX-15	BEV9CNA-XX-15
2"	BEV9ENA-XX-20	BEV9DNA-XX-20

SPRING RETURN ACTUATOR PACKAGES - FAIL CLOSED

Valve Size	60 psi Part Number	80 psi Part Number
1/2"	BEV9CAA1-XX-05	BEV9BDA1-XX-05
3/4"	BEV9CAA1-XX-07	BEV9CEA1-XX-07
1"	BEV9DAA1-XX-10	BEV9CEA1-XX-10
1-1/2"	BEV9GAA1-XX-15	BEV9FDA1-XX-15
2"	BEV9GAA1-XX-20	BEV9FDA1-XX-20

SPRING RETURN ACTUATOR PACKAGES - FAIL OPEN

Valve Size	60 psi Part Number	80 psi Part Number
1/2"	BEV9CAA2-XX-05	BEV9BDA2-XX-05
3/4"	BEV9CAA2-XX-07	BEV9CEA2-XX-07
1"	BEV9DAA2-XX-10	BEV9CEA2-XX-10
1-1/2"	BEV9GAA2-XX-15	BEV9FDA2-XX-15
2"	BEV9GAA2-XX-20	BEV9FDA2-XX-20

SAMPLE PART NUMBER: BEV9 CAA 2 - X X - 05

Valve Series
 aero2 Actuator Code
 Fail Position: "2" for Fail Open ("1" for Fail Closed)*
 "D" for SVF NEMA 4 (110 VAC) Pilot Valve ("N" for None)
 "A" for NEMA 4 (2 SPDT) Limit Switch ("N" for None)
 Valve Size - 05 for 1/2" (07=3/4", 10=1", 15=1-1/2", 20=2")
 * Fail Position Code For Spring Return Actuators Only