



Scan the barcode with your Smart-Phone app and view the latest publication of this document

Series BEV Ball Valves

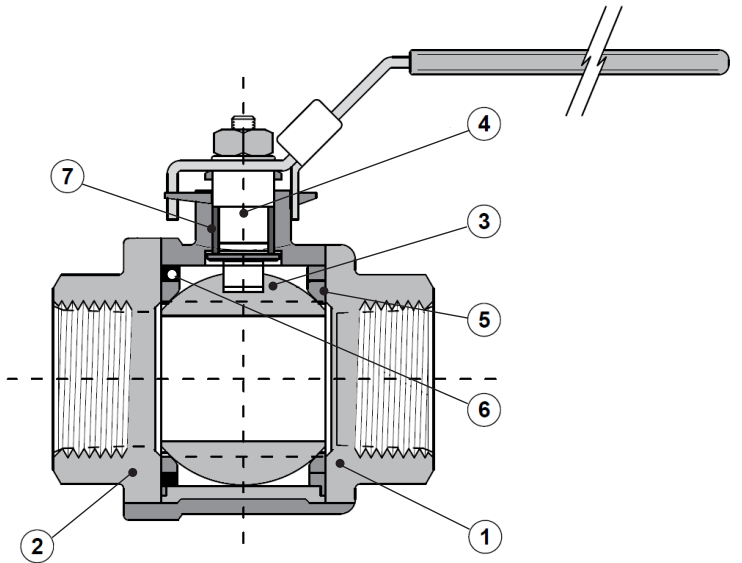
Two-Piece Ball Valve, Full Port
Sizes 1/4" ~ 3"



The SVF Series BEV full port ball valves are designed for general purpose performance in a wide variety of utility applications. The BEV is an economical, manually operated valve that meets industry requirements for performance and dependability.

BEV DESIGN FEATURES

- ✓ 316 Stainless Steel body, ball and stem
- ✓ Pressure rated for 1000 WOG
- ✓ Full Port flow path for maximum flow
- ✓ Designed & built for economical performance
- ✓ Threaded end connectors
- ✓ Lightweight and economical
- ✓ Vinyl grip handle
- ✓ Blowout proof stem adds safety & reliability
- ✓ Lockable in the "Open" or "Closed" position



MATERIALS OF CONSTRUCTION

ITEM	DESCRIPTION	MATERIALS SPECIFICATIONS
1	Body	316 Stainless Steel (ASTM A351 CF8M)
2	End Connector	316 Stainless Steel (ASTM A351 CF8M)
3	Ball	316 Stainless Steel
4	Stem	316 Stainless Steel
5	Seat	RTFE
6	Body Seal	PTFE
7	Stem Seal	PTFE

SPECIFICATION STANDARDS OF COMPLIANCE

SVF Series BEV Ball Valves are available in designs that meet the following Industry Standards:

- ANSI
- NACE
- DIN
- ASME
- ASTM
- ISO
- API
-
- MSS

Contact SVF for specific applications

What do you need today?[™]

HIGH PURITY VALVES
CleanFLOW

PRO-SPEC
PROCESS SPECIFIC
WWW.PRO-SPEC.NET

QUALITY FLOWS
THROUGH US

Subject to revision. Please visit www.SVF.net for the latest updates on this Data Sheet. All Data Sheets posted on our website supersede all prior publications • [Document #DDS-BEV-07/2010 • Series BEV Data Sheet - 08/20/2013]

www.SVF.net

SVF Flow Controls, Inc. • 13560 Larwin Circle • Santa Fe Springs, CA 90670 • Tel: 1.800.783.7836 • FAX: 562.802.3114
Sales@SVF.net • Visit our website: www.SVF.net • © SVF Flow Controls, Inc. • Specifications subject to change without notice



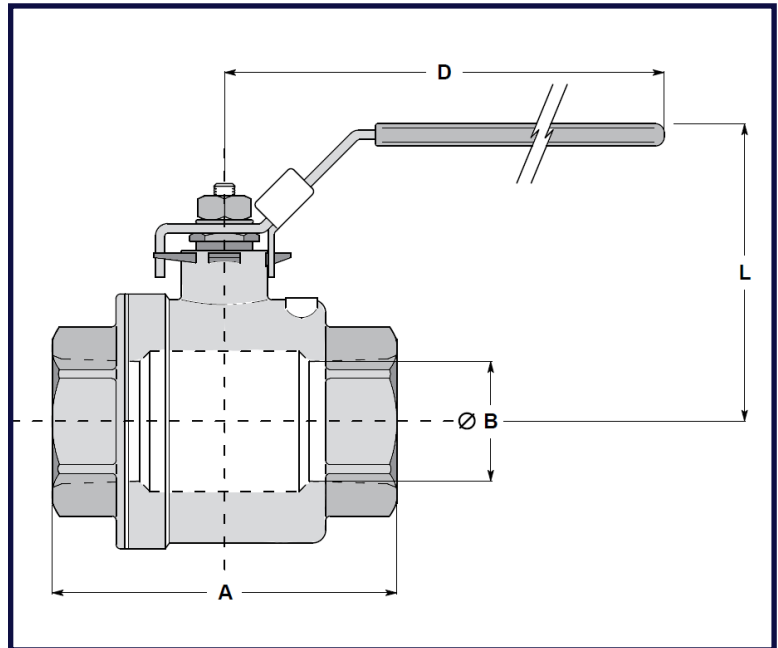
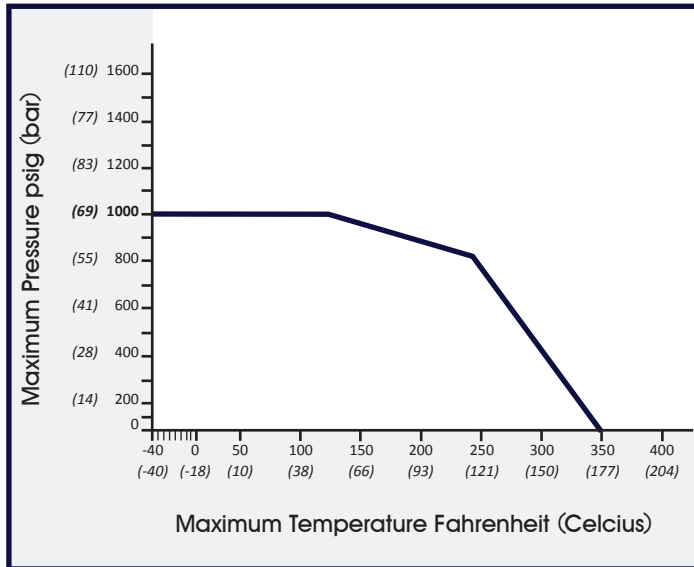
Two-Piece Ball Valve, Full Port, Sizes 1/4" ~ 3"



DIMENSIONS, WEIGHT, CV

Size	A		B		D		L		Weight		Cv
	in.	mm	in.	mm	in.	mm	in.	mm	lbs	kg	
1/4"	2.00	51	0.45	11	4.0	100	2.2	55	1	0.3	19
3/8"	2.01	51	0.48	12	4.0	100	2.2	55	1	0.3	25
1/2"	2.25	57	0.59	15	4.0	100	2.3	59	1	0.3	37
3/4"	2.58	66	0.79	20	5.0	127	2.6	65	2	0.8	68
1"	3.06	78	1.00	25	5.8	146	3.4	86	2.3	1.1	110
1-1/4"	3.55	90	1.25	32	5.8	146	3.5	90	3.8	1.7	185
1-1/2"	4.17	106	1.48	38	7.5	189	4.1	105	5.0	2.3	267
2"	4.84	123	1.97	50	7.5	189	4.4	111	8.8	4.0	485
2-1/2"	5.80	147	2.48	63	9.9	251	5.2	132	15.7	7.1	792
3"	6.46	164	3.00	76	9.9	251	5.6	141	26.0	11.8	1152

BEV - PRESSURE/TEMPERATURE CHART



HOW TO ORDER SERIES BEV BALL VALVES

Please refer to the next page for our comprehensive How to Order Guide for Series BEV Ball Valves.

Two-Piece Ball Valve, Full Port, Sizes 1/4" ~ 3"

Ordering Code Sequence (Columns 1 thru 11)

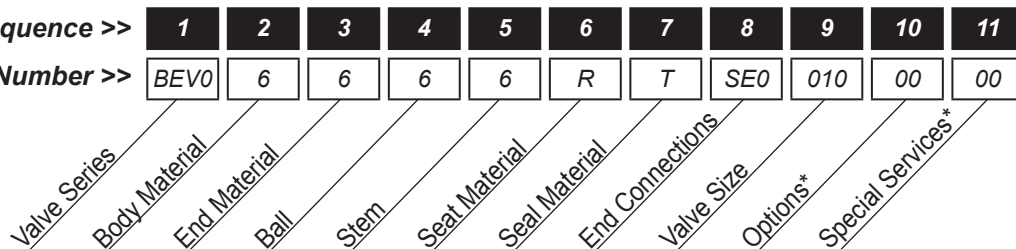
1	2	3	4	5	6
SERIES	BODY	ENDS	BALL	STEM	SEAT MATERIAL
BEV0 = Series BEV	6 = 316 Stainless Steel ASTM A351 CF8M	6 = 316 Stainless Steel ASTM A351 CF8M	6 = 316 Stainless Steel ASTM A351 CF8M	6 = 316 Stainless Steel SS316	R = RTFE

7	8	9	10	11
BODY SEAL	END CONNECTIONS	VALVE SIZE	OPTIONS*	SPECIAL SERVICES*
T = PTFE	SE0 = Screwed Ends (FNPT)	002 = 1/4" 003 = 3/8" 005 = 1/2" 007 = 3/4" 010 = 1" 012 = 1-1/4" 015 = 1-1/2" 020 = 2" 025 = 2-1/2" 030 = 3"	00 = None	00 = None

Order Example: (BEV06666RTSE00100000) The Part Number will contain 20 digits.

Ordering Code Sequence >>

Sample Part Number >>



Manual valves are shipped with lockable lever handles

* Not all Options or Special Services available on all ball valves. Consult SVF for additional information.