

UniTorq

UTM Series

Multi-Turn Electric Actuators



UNITORQ

Innovative Actuators and Controls

www.untorq.com

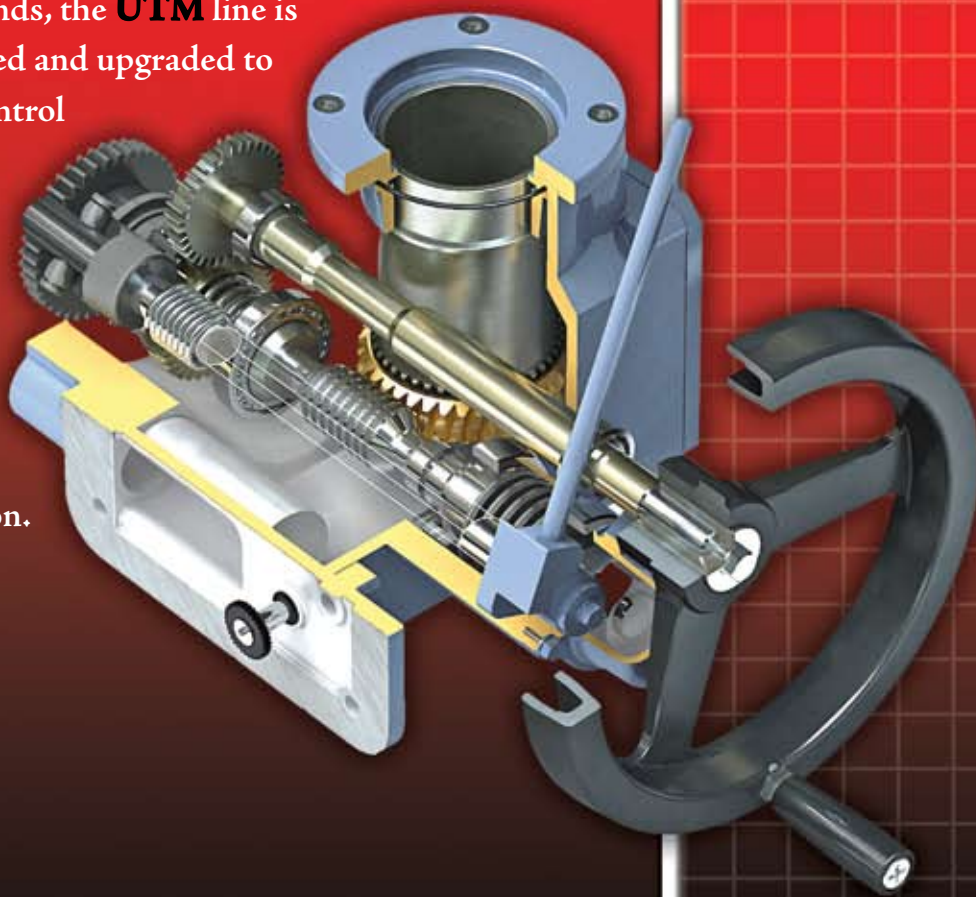
UniTorq

UTM Series Multi-Turn Electric Actuators

The durable and versatile **UTM Actuator** is the result of the accumulated knowledge and drive for excellence established in over 22 years of valve actuator manufacturing. With a unique combination of a flexible, modular design utilizing proven electric actuator mechanics and the latest technological enhancements, the **UTM** is ideally suited for a wide variety of industrial and commercial applications.

Due to market demands, the **UTM** line is continuously expanded and upgraded to include additional control schemes and sizes.

If you don't see it in this brochure, simply contact your UniTorq representative for availability and additional information.



www.unitorq.com

UniTorq

UTM Series Multi-Turn Electric Actuators

Features & Construction

- ✦ Motor — Class F insulation, high torque/low inertia; 3-phase 230/460V; 1-phase 220V
- ✦ Housing — aluminum alloy die casting
- ^a Thrust Base — ductile iron
- ^a Terminal Compartment — double-sealed for moisture protection; screw-type terminal - 34 points for control and 3 for power
- ^a Actuators meet AWWA requirements for electric motor operators
- ✦ Gearing:
 - Worm — Chromium molybdenum (ASTM A-148)
 - Worm Wheel — High strength brass (ASTM B-584)
 - Drive Bushing — Copper alloy (ASTM B-133)
- ✦ Enclosure — standard rating to IP68 (meets submergence of 25 feet + for 72 hours)
- ✦ Position Indication — continuous (0-100%) dial-type indicator; Optional LCD display with integral control unit
- ✦ Limit Switches — Open and Close; counter-gear driven, easily screwdriver adjustable
- ✦ Torque Switches — for Open and Close directions
- ✦ Manual Operation — Independent manual drive shaft; side-mounted handwheel with automatic declutch lever for ease of operation
- ✦ Anti-condensation space heater — thermistor type
- ✦ Common Options:
 - ✦ Integral control unit with non-intrusive push buttons, LED lamps, mechanically and electrically interlocked reversing contactor, phase discriminator, monitor relay and double-sealed terminal block
 - ✦ Automatic phase correction
 - ✦ Explosion Proof Enclosure (Class1 / Group C & D/ Div. 1)
 - ✦ Other options available — consult your UniTorq representative



www.untorq.com

Operational Data and Dimensions

UTM Data Information

(3 phase / 230 or 460V)

Model / (Thrust #)	Stem dia. Max. in.	RPM (60Hz)	13.5	17.6	23.1	30.4	40.5	52.8	69.3	91.2	*150	*196	Weight (~lbs.)	ISO Mtg. flange
		Motor kw	ft. lbs	ft. lbs	ft. lbs	ft. lbs	ft. lbs	ft. lbs	ft. lbs	ft. lbs	ft. lbs	ft. lbs		
UTM-01 (15421 #)	1.58"	0.2	98	76	57	43	38	29	22				75	F10
		0.4	108	108	108	87	76	58	44	34			77	
		0.75		108	108	108		104	78	59	42	32	86	
		1.5									64	49	97	
UTM-04 (28639 #)	2.29"	0.4	229	175	134	101	87	67					119	F14
		0.75	404	310	235	179	153	117	89	68			128	
		1.5		404	404	367		242	183	140			141	
		2.2		404	404	404		349	264	201	121	92	148	
		3.7								243	185	161		
UTM-07 (35248 #)	2.84"	1.5	621	621	482	367	312	242	183	140			200	F16
		2.2	621	621	621	529	453	349	264	201			209	
		3.7		621	621	621		491	372	282			242	
		5.5		621	621	621		621	621	506	384	292	253	
		7.5								449	342	268		
UTM-1 (59482 #)	3.74"	2.2	1191	915	695	529	453	349					290	F25
		3.7	1330	1292	982	748	640	492	373	284			321	
		5.5		1330	1330	1326		873	663	506			330	
		7.5		1330	1330	1330		1189	903	688	452	344	356	
		11.0								527	402	398		

Note: *2 pole motor; non-locking gearing.

(1 phase / 220V)

Model	Stem dia. Max. in.	RPM (60Hz)	17.6	23.1	30.4	52.8	69.3	91.2	Weight (app. lbs.)	ISO Mtg. flange	
		Motor kw	ft. lbs	ft. lbs	ft. lbs	ft. lbs	ft. lbs	ft. lbs			
UTM-01	1.58"	0.2	consult UniTorq for availability							80	F10
UTM-04	2.29"	0.4	173	130	101	72	55	42	125	F14	
		0.75	274	211	165	114	87	65	130		
UTM-07	2.84"	1.50	621	493	375	247	188	143	210	F16	

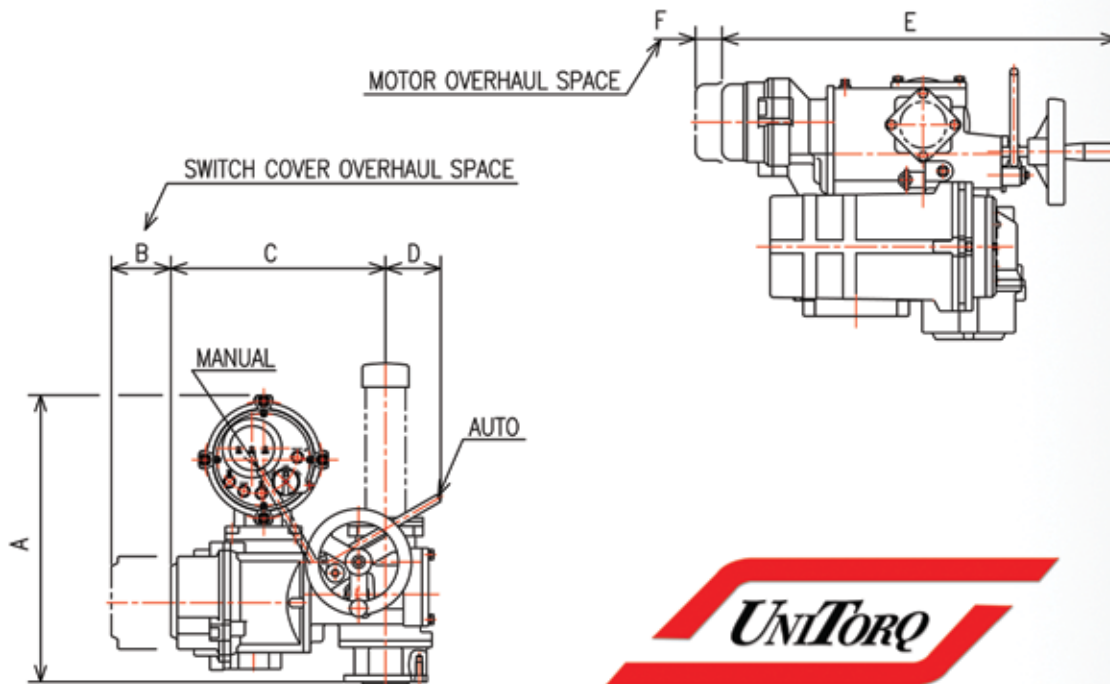
*Modulating not available with single-phase UTM actuators

UTM Dimensional Information

Model	Mounting Flange	A	B	C	D	E*	F	Max. Stem Dia. (in.)	
	ISO / SAE					Min. / Max.		Bore/Key	Tap
UTM-01	F10 / 4.016"	17.05	3.54	12.76	3.27	8.07 / 8.74	1.58	1.34	1.57
UTM-04	F14 / 5.512"	18.07	3.54	13.86	3.46	8.94 / 11.61	2.95	1.97	2.28
UTM-07	F16 / 6.50"	20.59	3.54	14.96	4.92	12.09 / 12.68	3.35	2.36	2.83
UTM-1	F25 / 10"	21.77	3.54	15.75	4.92	13.43 / 15.75	3.35	3.15	3.74

Dimensions apply to actuators with Integral Controls.

**Dimension varies per motor selection.*



About UniTorq

UniTorq's basic principle is our complete dedication to our customers needs through the manufacture and distribution of superior actuation products to insure our continued commitment to dependable service and support.

These activities are carried out in a continuous improvement process.



To Order:

Contact a
UniTorq sales
representative at
770.446.7074



UniTorq
2150 Boggs Road • Suite 410
Duluth, GA 30096
www.untorq.com



UNITORQ

Innovative Actuators and Controls