



CONNECTION BULLETIN

Vogt Valves

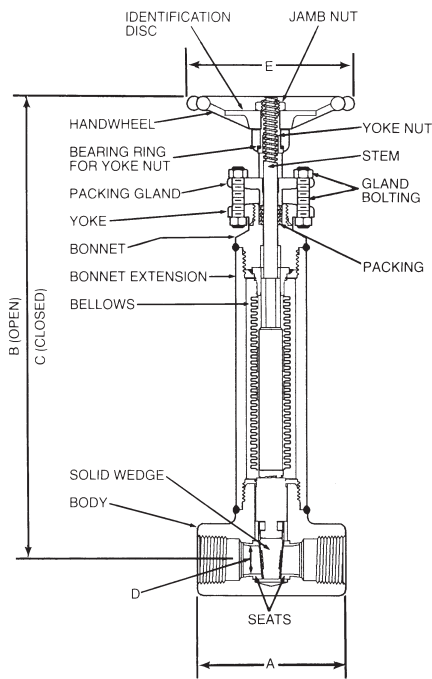
Forged Steel Bellowseal
Gate Valves Class 800

FCD VVABR1004-01 – 04/05 (Replaces CB-04)



Experience In Motion

Forged Steel Bellows Gate Valves: Fully Rated Class 800



A total containment solution is available with the installation of a Flowserve Vogt Bellows Gate Valve, constructed to positively eliminate any leak paths at the bonnet joint and packing.

The valve, with its bellows and seal-welded construction, totally confines the flow media within the valve pressure boundary. The valve packing is totally isolated by the bellows from the flowing medium and serves in a back-up role only.

- Fully rated class 800
- Zero environmental leakage
- High-strength multi-ply bellows
- Minimum pressure boundary welds
- Flexible graphite packing
- Full hard facing
- Seamless multi-ply bellows
- Welded bonnet
- Outside screw and yoke
- Bolted gland
- Solid hardened wedge
- Hard-faced seats
- ASME B16.34

Class 800

Conventional Port
1975 psi @ 100°F

Series Number		Material	
Threaded	Socket Weld	Body/Bonnet	Trim
2801B	SW 2801B	A105 ¹	13% Cr* 321 Bellows

*Stem is 316 Stainless Steel. 13% Cr. seats and gates are hard faced.

¹ Also available in ASTM A182, Grade F316/F316L body and bonnet construction.

Size	Weight (lb.)	End-to-End (in.)	Open (in.)	Closed (in.)	Seat Diameter (in.)	Hand-wheel Diameter (in.)	C _v Factor
		A	B	C	D	E	
½	4.2	3.38	10.56	10.06	.50	4.00	9.6
¾	8.8	3.38	10.56	10.06	.50	4.00	9.7
1	8.5	4.00	12.88	12.12	.75	4.75	20.3
1½	28.3	5.25	20.25	18.81	1.50	7.00	91.6
2	27.8	5.25	20.25	18.81	1.50	7.00	117.6



United States
Flowserve Corp.
Flow Control
Flowserve Vogt Valves
1511 Jefferson Street
Sulphur Springs, TX 75482 USA
Telephone: 903-885-3151
Fax: 903-439-3386

FCD VVABR1004-01 Printed in USA. (Replaces CB-04)

To find your local Flowserve representative:

For more information about Flowserve Corporation, visit
www.flowserve.com or call USA 1 800 225 6989

Flowserve Corporation has established industry leadership in the design and manufacture of its products. When properly selected, this Flowserve product is designed to perform its intended function safely during its useful life. However, the purchaser or user of Flowserve products should be aware that Flowserve products might be used in numerous applications under a wide variety of industrial service conditions. Although Flowserve can (and often does) provide general guidelines, it cannot provide specific data and warnings for all possible applications. The purchaser/user must therefore assume the ultimate responsibility for the proper sizing and selection, installation, operation, and maintenance of Flowserve products. The purchaser/user should read and understand the Installation Operation Maintenance (IOM) instructions included with the product, and train its employees and contractors in the safe use of Flowserve products in connection with the specific application.

While the information and specifications contained in this literature are believed to be accurate, they are supplied for informative purposes only and should not be considered certified or as a guarantee of satisfactory results by reliance thereon. Nothing contained herein is to be construed as a warranty or guarantee, express or implied, regarding any matter with respect to this product. Because Flowserve is continually improving and upgrading its product design, the specifications, dimensions and information contained herein are subject to change without notice. Should any question arise concerning these provisions, the purchaser/user should contact Flowserve Corporation at any one of its worldwide operations or offices.

© 2005 Flowserve Corporation, Irving, Texas, USA. Flowserve is a registered trademark of Flowserve Corporation.