

# UniTorq

## UTQ Series

Quarter-Turn Electric Actuators



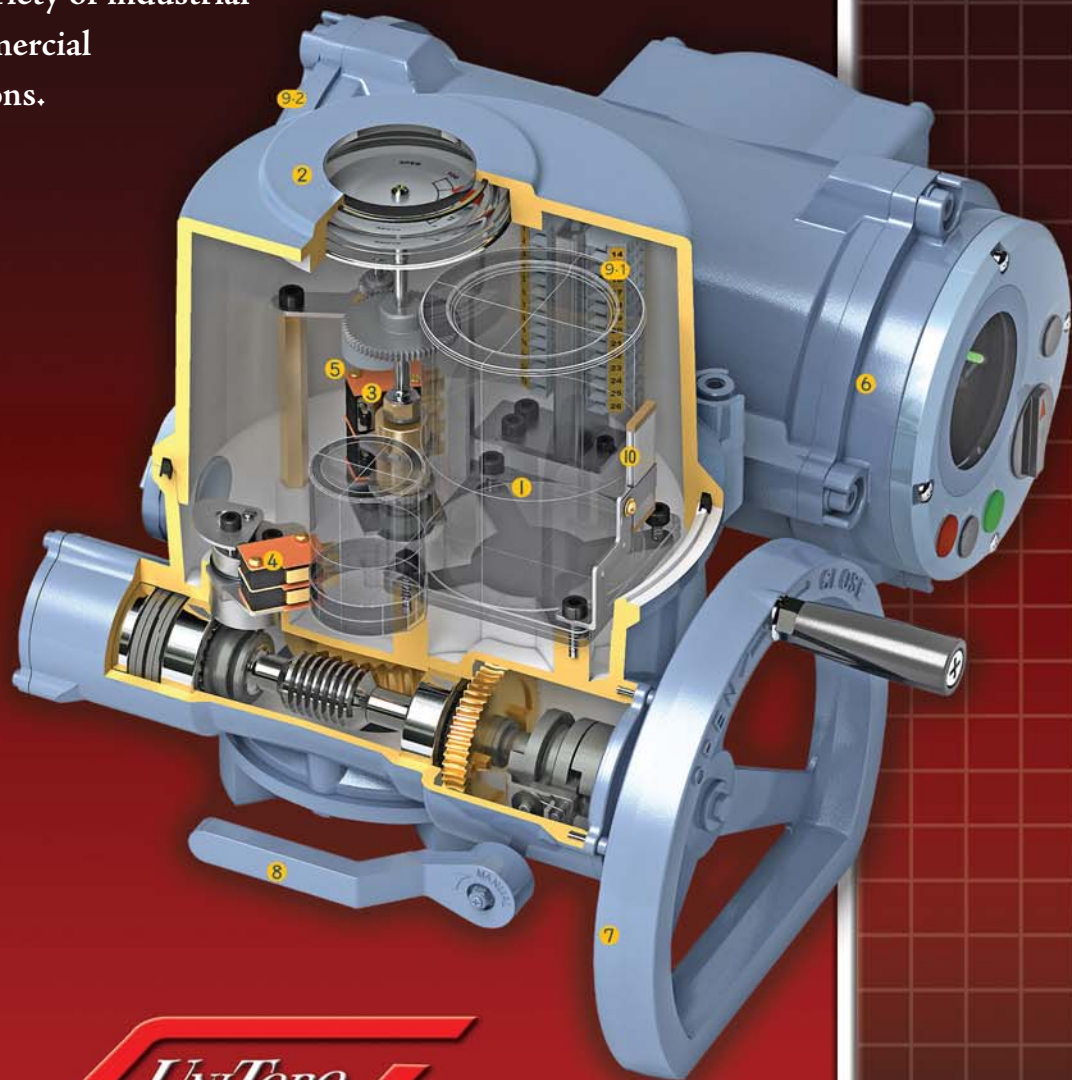
Innovative Actuators and Controls

[www.unitorq.com](http://www.unitorq.com)

# UniTorq **UTQ Series**

Quarter-Turn Electric Actuators

The rugged **UTQ Actuator** is the result of the accumulation of experience and expertise acquired from over 20 years of valve actuation. With a unique combination of a compact, efficient design utilizing proven electric actuator mechanics and the latest technological enhancements, the **UTQ** is ideally suited for a wide variety of industrial and commercial applications.



[www.untorq.com](http://www.untorq.com)

# UniTorq **UTQ Series**

Quarter-Turn Electric Actuators

## Features & Construction

### Sizes: UTQ-1.5 / UTQ-3.0 / UTQ-6.0

- ♦ Motor — split-phase, capacitor driven; 15 minute duty; 115/230v
- ♦ Gearing — hardened steel, machine cut spur gears
- ♦ Enclosure — Nema 4/4X
- ♦ Manual Operation — wrench operated drive shaft, or optional handwheel
- ♦ Limit Switches — 1 each, SPDT at each end of travel
- ♦ Common Options:
  - ♦ Positioning controls (4-20mA)
  - ♦ Anti-condensation or low temperature heaters
  - ♦ 2 additional limit switches
  - ♦ Other options available — consult your UniTorq sales representative

### Sizes: UTQ-10 thru UTQ-120

- ♦ Motor — squirrel cage induction motor with embedded thermostat
- ♦ Main Power — Single phase 110/220V; Three phase 220/440/460/480V
- ♦ Housing — durable, compact and corrosion-resistant Aluminum alloy.
- ♦ Enclosure — standard rating to IP68 (submergence to 25 feet for 72 hours)
- ♦ Position Indication — continuous (0-100%) dial-type indicator;  
Optional LCD display with integral control unit
- ♦ Limit Switches — 2 each, N.O./N.C., easily screwdriver adjustable
- ♦ Torque Switches — for Open and Close directions
- ♦ Manual Operation — side-mounted handwheel with automatic declutch lever for ease of operation
- ♦ Anti-condensation space heater — thermistor type
- ♦ Common Options:
  - ♦ Integral control unit with non-intrusive push buttons, LED lamps, mechanically and electrically interlocked reversing contactor, phase discriminator, monitor relay and double-sealed terminal block
  - ♦ Automatic phase correction also available
  - ♦ Explosion Proof Enclosure to Class1 / Div. 1 or 2 / Group C or D (Exd IIBT4)
  - ♦ Actuators meet AWWA requirements for Electric Motor Operators
  - ♦ Other options available — consult your UniTorq sales representative





# Operational and Dimensional Data

## Models UTQ-1.5 to UTQ-6.0 Data Chart

UTQ-Series	Max. Output Torque	Operating Time (90°) 60/50Hz	Output Drive	VA Rating		Rated Current (A)		Weight lbs.
				115V	230V	1 Phase		
	in./lbs.	sec.	110V	220V				
1.5	150	4 (60Hz)	.55" sq./14mm	70 VA	115 VA	0.37	0.87	6
3	300	8 (60Hz)	.55" sq./14mm	70 VA	115 VA	0.37	0.87	6
6	600	13 (60Hz)	.55" sq./14mm	70 VA	115 VA	0.37	0.87	6

## Models UTQ-10 to UTQ-120 Operating Data Chart

UTQ-Series	Max. Output Torque	Operating Time (90°) 60/50Hz	Max. Bore Diameter	Motor		Rated Current (A)				Hand Wheel turns rev	Weight lbs.
				Power	Frame	1 Phase		3 Phase			
	in./lbs.	sec.	inches	W	F	110V	220V	380V	440V		
10	880	17/21	0.708	15	70	1.12	0.53	n/a	n/a	10	14
20	1760	17/21	1.181	40	80	1.86	0.94	0.30	0.29	10	42
40	3520	26/31	1.575	40	90	1.92	0.99	0.31	0.30	12.5	55
60	5280	26/31	1.575	90	90	3.78	1.46	0.48	0.44	12.5	55
80	7040	34/41	1.850	90	90	3.78	1.46	0.48	0.44	14.5	77
120	10,560	34/41	1.850	180	90	5.12	2.67	0.89	0.83	14.5	77

## Dimensional Information:

### Models UTQ-1.5 to UTQ-6.0

UTQ-Series	Mounting Flange	Tap / Depth
	ISO / Ø	
1.5	F05/F07	M6/M8
	Ø1.969/Ø2.756	10
3	F05/F07	M6/M8
	Ø1.969/Ø2.756	10
6	F05/F07	M6/M8
	Ø1.969/Ø2.756	10

# UniTorq **UTQ Series**

Quarter-Turn Electric Actuators

## Dimensional Information:

### Models UTQ-10 to UTQ-120

UTQ-Series	Mounting Flange	Tap	A	B	C	D	E	F	G
	ISO / SAE	Depth	mm/in.	mm/in.	mm/in.	mm/in.	mm/in.	mm/in.	mm/in.
010	F05/F07	M6	217 mm	117 mm	n/a	n/a	236 mm	n/a	n/a
	Ø1.969/Ø2.756	10	8.54"	4.61"	n/a	n/a	9.29"	n/a	n/a
020	F07/F10	M8/M10	265 mm	130 mm	296 mm	426 mm	258 mm	137 mm	395 mm
	Ø2.756/Ø4.016	12/15	10.43"	5.12"	11.65"	16.77"	10.16"	5.39"	15.55"
040	F10/F12	M10/M12	287 mm	175 mm	288 mm	463 mm	272 mm	136 mm	408 mm
	Ø4.016/Ø4.921	15/18	11.30"	6.89"	11.34"	18.22"	10.71"	5.35"	16.06"
060	F10/F12	M10/M12	287 mm	175 mm	288 mm	463 mm	272 mm	136 mm	408 mm
	Ø4.016/Ø4.921	15/18	11.30"	6.89"	11.34"	18.22"	10.71"	5.35"	16.06"
080	F12/F14	M12/M16	321 mm	200 mm	293 mm	493 mm	319 mm	155 mm	474 mm
	Ø4.921/Ø5.512	18/24	12.64"	7.87"	11.54"	19.41"	12.56"	6.1"	18.66"
120	F12/F14	M12/M16	321 mm	200 mm	293 mm	493 mm	319 mm	155 mm	474 mm
	Ø4.921/Ø5.512	18/24	12.64"	7.87"	11.54"	19.41"	12.56"	6.1"	18.66"

