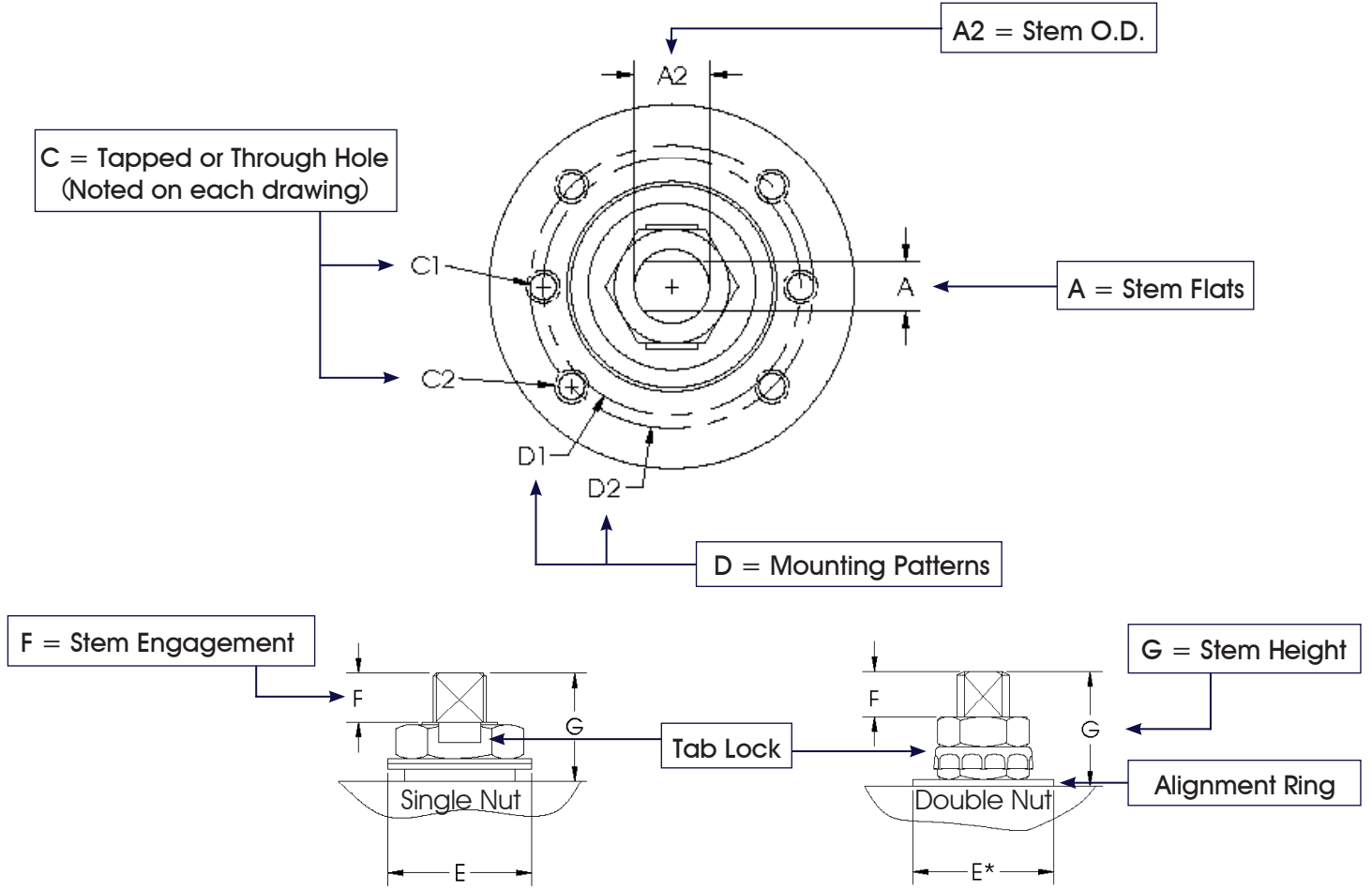




TopWorks Data Sheets provide the dimensions necessary to actuate a valve supplied by SVF Flow Controls, Inc.



All dimensions shown are in inches

Valve Series and Size (Stem assembly - single or double nut)

International Standard for mounting pad dimensions

SIZE	A	A2	B	C	D1	D2	ISO 5211	E	F	G
2"	0.35	0.55	2.5	M6-1.0	1.77	1.97	F05	1.4	0.46	1.23

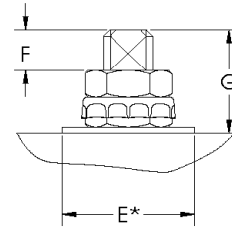
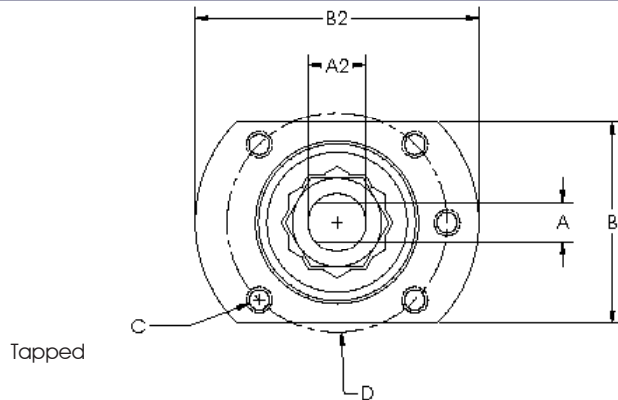
The above layout is a representation of a TopWorks Data Sheet. In some cases single nut or double nut stem assemblies are utilized, depending upon stem engagement as noted in (F) above. An alignment ring, like the one displayed above (E*), is used to align and center the accessories being mounted onto the valve. Dimension (E) is provided to ensure enough clearance is allocated for any accessories being mounted. Tab locks are positioned above the stem nut to keep the nut tight. Not all series show dimension (E). All data is based on SVF assemblies. All dimensions shown are in inches.

INDEX

VALVE/SERIES	SIZE	PAGE
R8/C8/D8/L8/N8/V8	1/4" ~ 2-1/2"	1
B8/BN8	1/2" ~ 2"	1
F8	1/2" ~ 2"	2
FB8	1/4" ~ 2"	2
H7	1/2"	3
H7/H7-62	3/4" ~ 1"	3
H7	1-1/2"	4
H7	2"	4
BZ9	1/2" ~ 2"	5
EZ9	1/4" ~ 4"	5
41 Rev3	1-1/2" ~ 6"	6
B41 Rev3/B41C/VB41	1/2" ~ 8"	6
SB7/TSB7/SB79	1/4" ~ 1"	7
SB7/TSB7/SB79	1-1/2"	7
SB7/TSB7/SB79	2"	7
SB7/TSB7/SB79	2-1/2"	8
SB7/TSB7/SB79	3" & 4"	8
SB7	6"	8
SB7F/TSB7F	1/4" ~ 3/4"	9
SB7F/TSB7F	1" ~ 2"	9
P4	1/2"	10
P4	3/4"	10
P4	1"	10
FS7	3" ~ 4"	11
HBEV	1/4" ~ 2"	11
"SC" Secondary Containment:		12
Model SCD05	For 1/4" ~ 3/4" R8, 1/2" B8, 1/4" ~ 3/4" SB7 & TSB7	
Model SCD10	For 1" ~ 1-1/4" R8, 1" B8, 1" SB7 & TSB7	
Model SCD15	For 1-1/2" ~ 2-1/2" R8, 1-1/4" ~ 2" B8, 1-1/2" ~ 2" SB7 & TSB7	
Model SCD30	For 3" R8, 2-1/2" B8, 3" ~ 4" SB7 & TSB7	
BEV9	1/2" ~ 2"	13
SB9	1/2" ~ 4"	13
MZ9	1/2" ~ 2"	13
B42C	1/2" ~ 8"	14
K8	1/2" ~ 2"	14
B43C/B43T	1/2" ~ 4" and 6" ~ 8" Trunnion Valves	15
Cast Stem Extensions:		16
Model CISO05	For 1/4" ~ 3/4" R8, 1/2" B8, 1/4" ~ 3/4" SB7 & TSB7	
Model CISO10	For 1" ~ 1-1/4" R8, 1" B8, 1" SB7 & TSB7	
Model CISO15	For 1-1/2" ~ 2-1/2" R8, 1-1/4" ~ 2" B8, 1-1/2" ~ 2" SB7 & TSB7	
Model CISO30	For 3" R8, 2-1/2" B8, 3" ~ 4" SB7 & TSB7	



R8 - 1/4" ~ 2-1/2" (ALSO FOR SERIES C8, D8, L8, N8 AND V8)



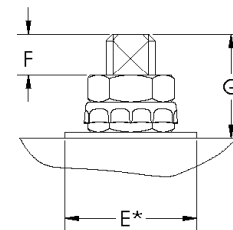
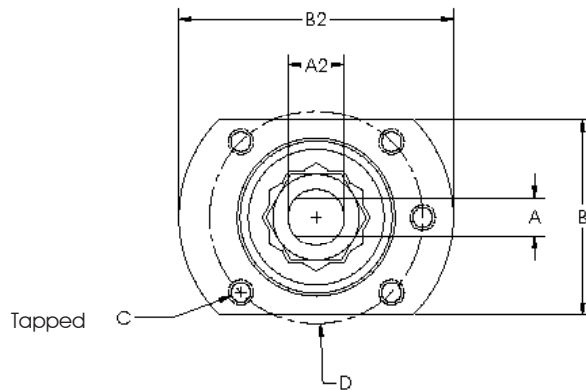
R8

Sizes 1/4" ~ 2-1/2"

R8/C8/D8/L8/N8/V8 1/4" ~ 2-1/2" (Double Nut)

SIZE	A	A2	B	B2	C	D	ISO 5211	E	F	G
1/4"	0.22	0.37	1.5	1.8	M5-0.8	1.42	F03	1.0	0.12	0.37
3/8"	0.22	0.37	1.5	1.8	M5-0.8	1.42	F03	1.0	0.12	0.37
1/2"	0.22	0.37	1.5	1.8	M5-0.8	1.42	F03	1.0	0.12	0.37
3/4"	0.22	0.37	1.5	1.8	M5-0.8	1.42	F03	1.0	0.17	0.37
1"	0.30	0.43	1.7	2.1	M5-0.8	1.65	F04	1.2	0.34	0.70
1-1/4"	0.30	0.43	1.7	2.1	M5-0.8	1.65	F04	1.2	0.34	0.93
1-1/2"	0.34	0.56	2.1	2.6	M6-1.0	1.97	F05	1.4	0.40	1.18
2"	0.34	0.56	2.1	2.6	M6-1.0	1.97	F05	1.4	0.40	1.18
2-1/2"	0.34	0.56	2.1	2.6	M6-1.0	1.97	F05	1.4	0.42	1.22

B8 - 1/2" ~ 2" (ALSO FOR SERIES BN8)



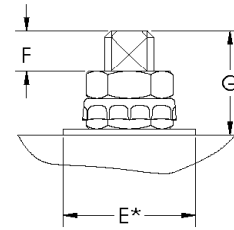
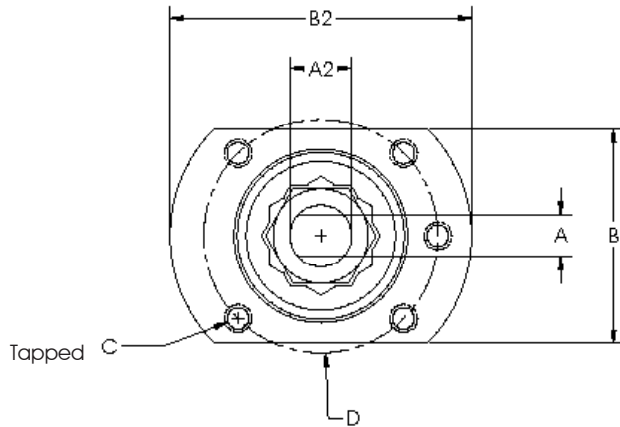
B8

Sizes 1/2" ~ 2"

B8/BN8 1/2" ~ 2" (Double Nut)

SIZE	A	A2	B	B2	C	D	ISO 5211	E	F	G
1/2"	0.22	0.37	1.5	1.8	M5-0.8	1.42	F03	1.0	0.12	0.37
3/4"	0.30	0.43	1.7	2.1	M5-0.8	1.65	F04	1.2	0.34	0.70
1"	0.30	0.43	1.7	2.1	M5-0.8	1.65	F04	1.2	0.34	0.93
1-1/4"	0.34	0.56	2.1	2.6	M6-1.0	1.97	F05	1.4	0.40	1.18
1-1/2"	0.34	0.56	2.1	2.6	M6-1.0	1.97	F05	1.4	0.40	1.18
2"	0.34	0.56	2.1	2.6	M6-1.0	1.97	F05	1.4	0.42	1.22

F8 - SIZES 1/2" ~ 2"



* Alignment Ring

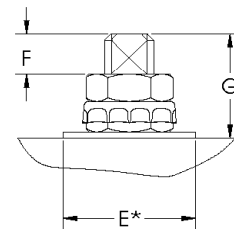
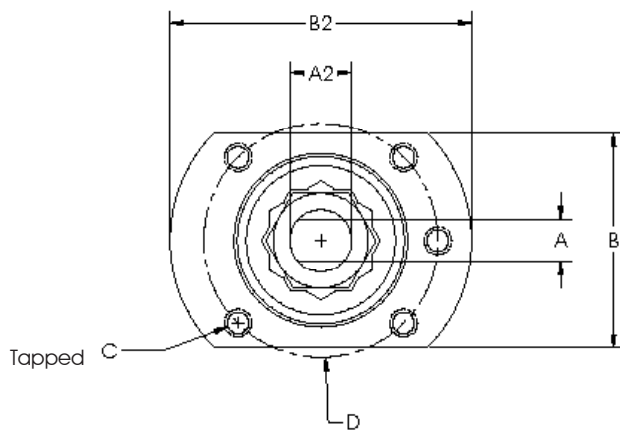
F8

Sizes 1/2" ~ 2"

F8 1/2" ~ 2" (Double Nut)

SIZE	A	A2	B	B2	C	D	ISO 5211	E	F	G
1/2"	0.22	0.37	1.5	1.8	M5-0.8	1.42	F03	1.0	0.12	0.40
3/4"	0.22	0.37	1.5	1.8	M5-0.8	1.42	F03	1.0	0.17	0.40
1"	0.30	0.43	1.7	2.1	M5-0.8	1.65	F04	1.2	0.34	0.70
1-1/4"	0.30	0.43	1.7	2.1	M5-0.8	1.65	F04	1.2	0.34	0.70
1-1/2"	0.34	0.56	1.9	2.6	M6-1.0	1.97	F05	1.4	0.40	1.18
2"	0.34	0.56	2.2	2.6	M6-1.0	1.97	F05	1.4	0.40	1.18

FB8 - SIZES 1/4" ~ 2"



* Alignment Ring

FB8

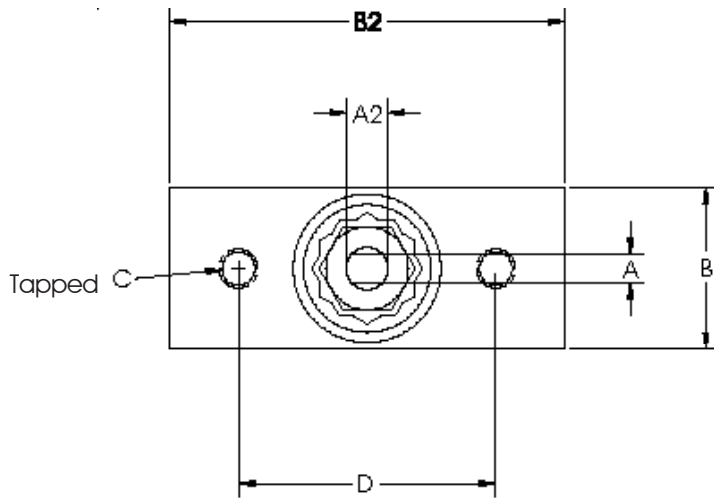
Sizes 1/4" ~ 2"

FB8 1/4" ~ 2" (Double Nut)

SIZE	A	A2	B	B2	C	D	ISO 5211	E	F	G
1/4"	0.22	0.37	1.5	1.8	M5-0.8	1.42	F03	1.0	0.12	0.40
3/8"	0.22	0.37	1.5	1.8	M5-0.8	1.42	F03	1.0	0.12	0.40
1/2"	0.22	0.37	1.5	1.8	M5-0.8	1.42	F03	1.0	0.12	0.40
3/4"	0.30	0.43	1.7	2.1	M5-0.8	1.65	F04	1.2	0.34	0.70
1"	0.30	0.43	1.7	2.2	M5-0.8	1.65	F04	1.2	0.34	0.90
1-1/4"	0.34	0.56	1.9	2.6	M6-1.0	1.97	F05	1.4	0.40	1.18
1-1/2"	0.34	0.56	2.2	2.6	M6-1.0	1.97	F05	1.4	0.40	1.18
2"	0.34	0.56	1.9	2.6	M6-1.0	1.97	F05	1.4	0.40	1.18

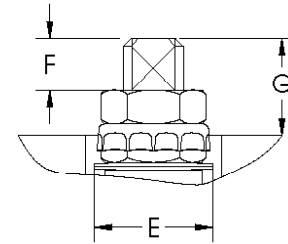


H7 - SIZE 1/2"



H7

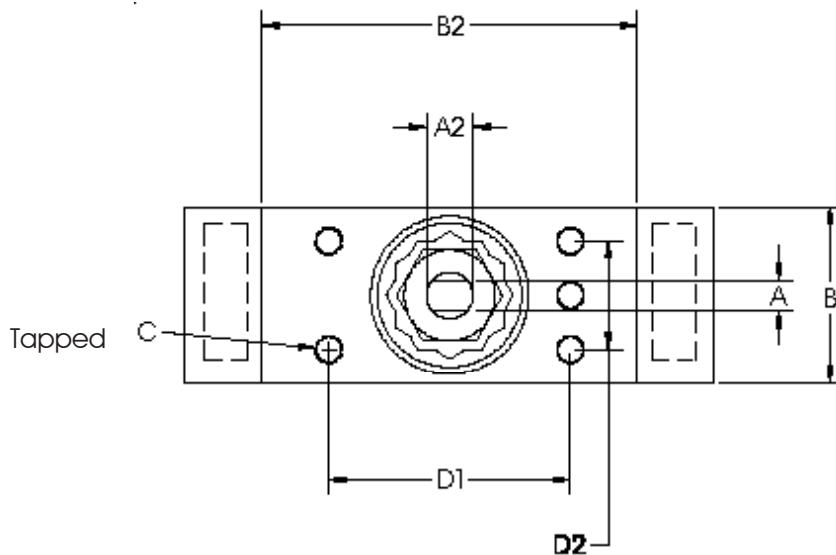
Size 1/2"



H7 - 1/2" (Double Nut)

SIZE	A	A2	B	B2	C	D	E	F	G
1/2"	0.22	0.37	0.81	1.78	M5-0.8	1.34	0.7	0.18	0.44

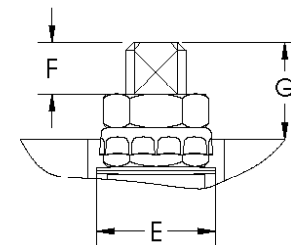
H7 - SIZES 3/4" ~ 1" (ALSO FOR SERIES H7-62)



H7

H7-62

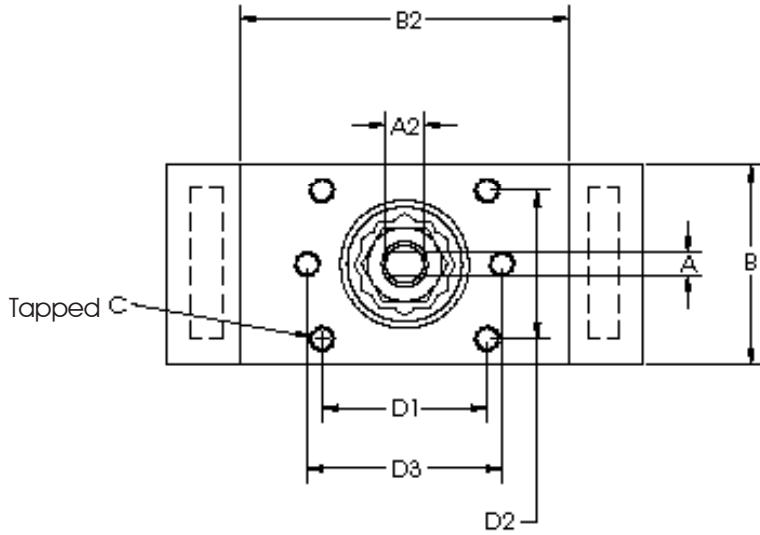
Sizes 3/4" ~ 1"



H7/H7-62 - 3/4" ~ 1" (Double Nut)

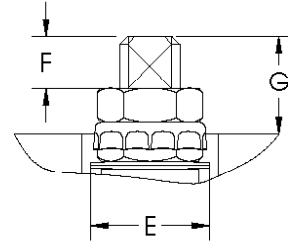
SIZE	A	A2	B	B2	C	D1	D2	E	F	G
3/4"	0.22	0.37	1.00	2.03	M5-0.8	1.32	0.59	0.7	0.18	0.44
1"	0.30	0.43	1.25	2.40	M5-0.8	1.64	0.94	0.9	0.28	0.67

H7 - SIZE 1-1/2"



H7

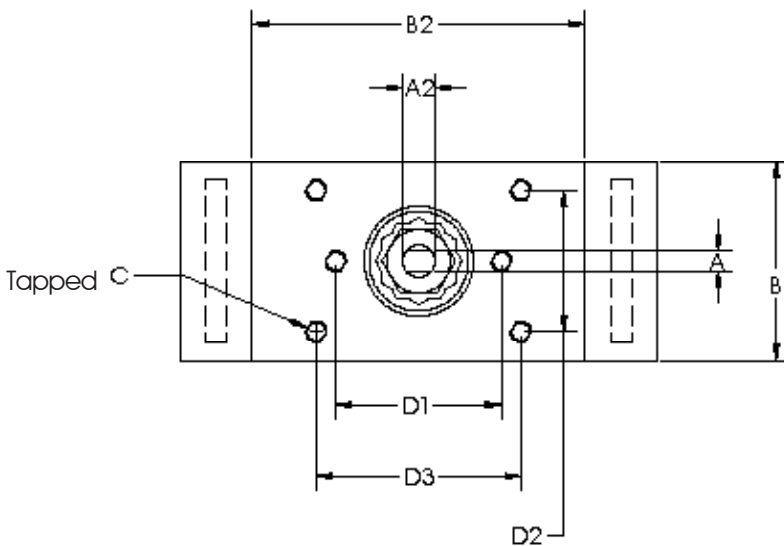
Size 1-1/2"



H7 - 1-1/2" (Double Nut)

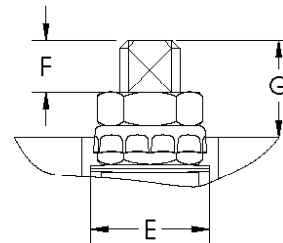
SIZE	A	A2	B	B2	C	D1	D2	D3	E	F	G
1-1/2"	0.34	0.55	1.90	3.15	M6-1.0	1.65	1.41	1.85	1.1	0.34	0.91

H7 - SIZE 2"



H7

Size 2"

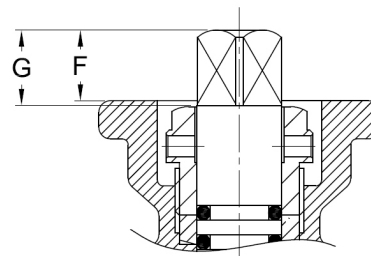
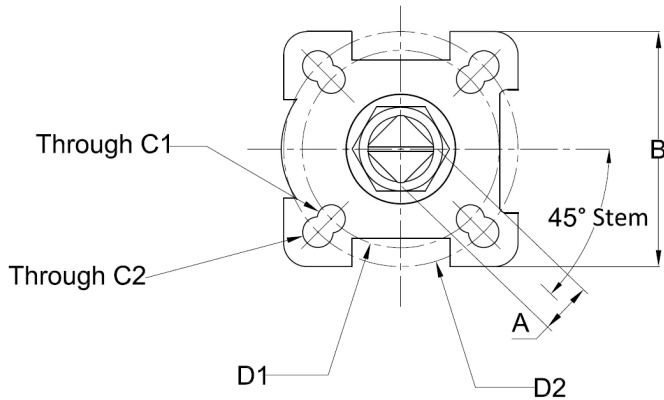


H7 - 2" (Double Nut)

SIZE	A	A2	B	B2	C	D1	D2	D3	E	F	G
2"	0.34	0.55	2.21	3.69	M6-1.0	2.28	1.55	1.85	1.1	0.34	0.91



BZ9 - SIZES 1/2" ~ 2"



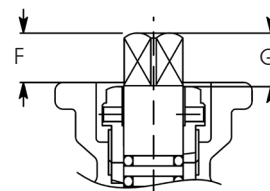
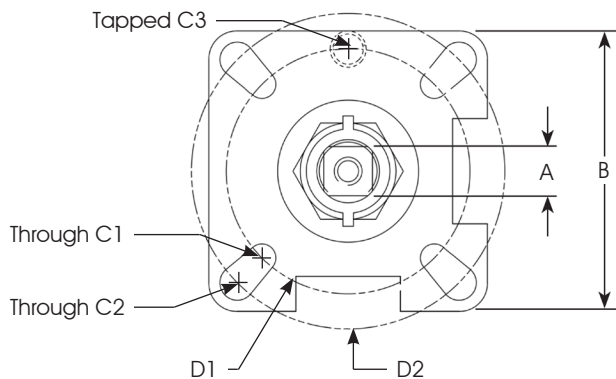
BZ9

Sizes 1/2" ~ 2"

BZ9- 1/2" ~ 2" (Single Nut)

SIZE	A (SQ.)	B	C1	C2	D1	ISO 5211	D2	ISO 5211	F	G
1/2"	0.35	1.9	0.24	0.24	1.42	F03	1.65	F04	0.38	0.41
3/4"	0.35	1.9	0.24	0.24	1.42	F03	1.65	F04	0.43	0.45
1"	0.43	1.9	0.24	0.26	1.65	F04	1.97	F05	0.45	0.49
1-1/2"	0.55	2.7	0.26	0.33	1.97	F05	2.76	F07	0.54	0.59
2"	0.55	2.8	0.26	0.33	1.97	F05	2.76	F07	0.54	0.59

EZ9 - SIZES 1/4" ~ 4"



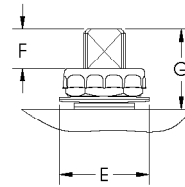
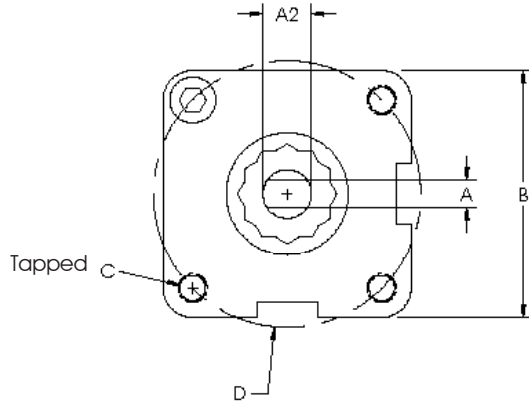
EZ9

Sizes 1/4" ~ 4"

EZ9- 1/4" ~ 4" (Single Nut)

SIZE	A (SQ.)	B	C1	C2	C3	D1	ISO 5211	D2	ISO 5211	F	G
1/4" - 3/8"	0.35	1.7	0.24	0.24	M5-0.8	1.42	F03	1.65	F04	0.34	0.35
1/2"	0.35	2.0	0.24	0.28	M5-0.8	1.65	F04	1.97	F05	0.34	0.35
3/4"	0.35	2.0	0.24	0.28	M5-0.8	1.65	F04	1.97	F05	0.34	0.35
1"	0.43	2.0	0.24	0.28	M5-0.8	1.65	F04	1.97	F05	0.45	0.49
1-1/4"	0.43	2.0	0.24	0.28	M5-0.8	1.65	F04	1.97	F05	0.45	0.51
1-1/2"	0.55	2.7	0.28	0.35	M5-0.8	1.97	F05	2.76	F07	0.55	0.55
2"	0.55	2.7	0.28	0.35	M5-0.8	1.97	F05	2.76	F07	0.55	0.55
3"	0.67	3.78	0.35	0.43	M6-1.0	2.76	F07	4.02	F10	0.71	0.71
4"	0.87	4.72	0.35	0.43	M6-1.0	4.02	F10	4.92	F12	0.91	0.91

41 Rev3 - SIZES 1-1/2" ~ 6"



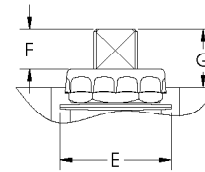
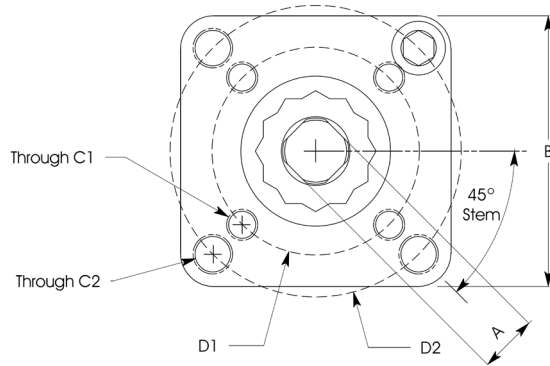
41R3

Sizes 1-1/2" ~ 6"

41 Rev3 - 1-1/2" ~ 6" (Single Nut)

SIZE	A	A2	B	C	D1	ISO 5211	E	F	G
1-1/2"	0.38	0.62	2.6	M8-1.25	2.76	F07	1.24	0.65	1.26
2"	0.38	0.62	2.6	M8-1.25	2.76	F07	1.24	0.65	1.26
3"	0.63	0.87	3.6	M10-1.5	4.02	F10	1.78	0.87	1.67
4"	0.71	1.12	3.6	M10-1.5	4.02	F10	2.26	1.14	2.17
6"	1.06	1.06	5.0	M10-1.5	4.92	F10	2.74	0.90	2.44

B41 Rev3/B41C - SIZES 1/2" ~ 8" (ALSO FOR SERIES VB41)



B41R3

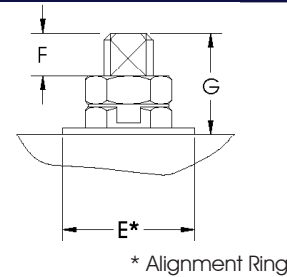
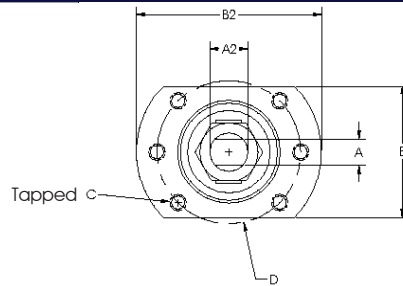
Sizes 1/2" ~ 8"

B41 Rev3/B41C/VB41 - 1/2" ~ 8" (Single Nut)

SIZE	A (SQ.)	B	C1	C2	D1	ISO 5211	D2	ISO 5211	E	F	G
1/2"	0.35	1.7	0.24	0.24	1.42	F03	1.65	F04	0.90	0.36	0.35
3/4"	0.35	2.0	0.24	0.28	1.42	F03	1.97	F05	0.90	0.49	0.35
1"	0.43	2.0	0.24	0.28	1.65	F04	1.97	F05	1.26	0.57	0.43
1-1/4"	0.43	2.6	0.24	0.35	1.65	F04	2.76	F07	1.26	0.57	0.43
1-1/2"	0.55	2.6	0.28	0.35	1.97	F05	2.76	F07	1.49	0.70	0.55
2"	0.55	2.6	0.28	0.35	1.97	F05	2.76	F07	1.49	0.59	0.55
2-1/2"	0.67	3.6	0.35	0.43	2.76	F07	4.02	F10	1.73	0.70	0.67
3"	0.67	3.6	0.35	0.43	2.76	F07	4.02	F10	1.73	0.67	0.67
4"	0.87	3.6	-	0.43	-	-	4.02	F10	2.23	0.82	0.87
6"	1.06	4.9	0.55	-	4.92	F12	-	-	2.74	1.12	1.08
8"	1.06	5.5	0.55	-	4.92	F12	-	-	2.74	1.12	1.08



SB7 - SIZES 1/4" ~ 1" (ALSO FOR SERIES TSB7 AND SB79)



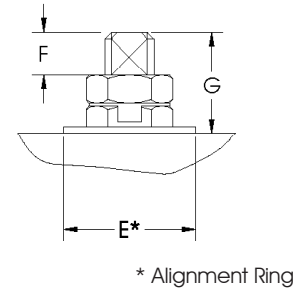
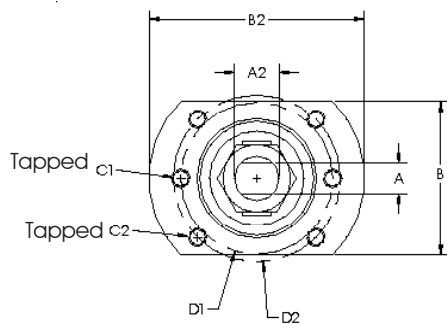
SB7

Sizes 1/4" ~ 1"

SB7/TSB7/SB79 - 1/4" ~ 1" (Double Nut)

SIZE	A	A2	B	B2	C	D1	ISO 5211	E	F	G
1/4"	0.22	0.37	1.4	1.8	M5-0.8	1.42	F03	1.0	0.24	0.64
3/8"	0.22	0.37	1.4	1.8	M5-0.8	1.42	F03	1.0	0.24	0.64
1/2"	0.22	0.37	1.4	1.8	M5-0.8	1.42	F03	1.0	0.24	0.64
3/4"	0.22	0.37	1.4	1.8	M5-0.8	1.42	F03	1.0	0.24	0.64
1"	0.30	0.43	1.6	2.1	M5-0.8	1.65	F04	1.2	0.36	0.78

SB7 - SIZE 1-1/2" (ALSO FOR SERIES TSB7 AND SB79)



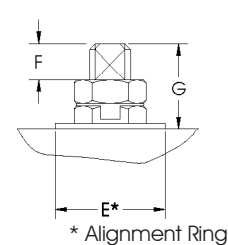
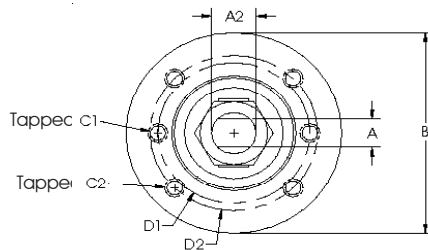
SB7

Size 1-1/2"

SB7/TSB7/SB79 - 1-1/2" (Double Nut)

SIZE	A	A2	B	B2	C1 & C2	D1	D2	ISO 5211	E	F	G
1-1/2"	0.34	0.56	2.1	2.3	M6-1.0	1.75	1.97	F05	1.4	0.50	1.27

SB7 - SIZE 2" (ALSO FOR SERIES TSB7 AND SB79)



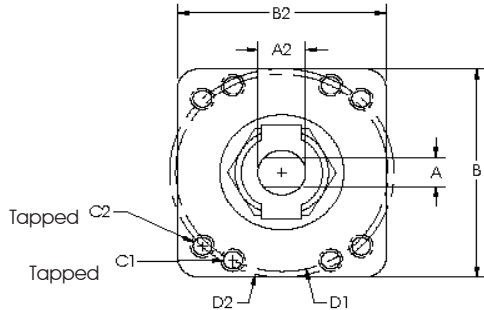
SB7

Size 2"

SB7/TSB7/SB79 - 2" (Double Nut)

SIZE	A	A2	B	C1 & C2	D1	D2	ISO 5211	E	F	G
2"	0.35	0.55	2.5	M6-1.0	1.77	1.97	F05	1.4	0.46	1.23

SB7 - SIZE 2-1/2" (ALSO FOR SERIES TSB7 AND SB79)



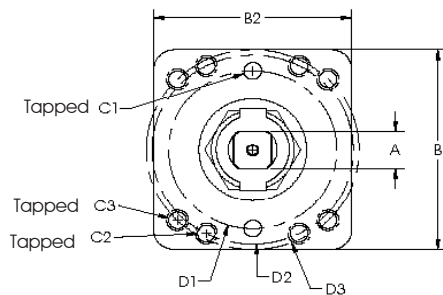
SB7

Size 2-1/2"

SB7/TSB7/SB79 - 2-1/2" (Single Nut)

SIZE	A	A2	B	B2	C1 & C2	D1	ISO 5211	D2	E	F	G
2-1/2"	0.55	0.77	2.7	3.3	M8-1.25	2.76	F07	3.03	1.6	0.68	1.69

SB7 - SIZES 3" ~ 4" (ALSO FOR SERIES TSB7 AND SB79)



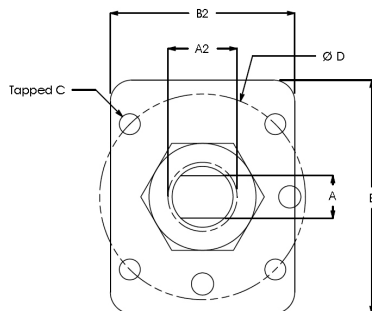
SB7

Sizes 3" ~ 4"

SB7/TSB7/SB79 - 3" ~ 4" (Single Nut)

SIZE	A	B	B2	C1	C2 & C3	D1	D2	D3	ISO 5211	E	F	G
3"	0.75	4.0	3.7	0.39	M10-1.5	3.17	3.75	4.01	F10	1.9	0.78	1.85
4"	0.75	4.0	3.7	0.39	M10-1.5	3.17	3.75	4.01	F10	1.9	0.78	1.85

SB7 - SIZE 6"



SB7

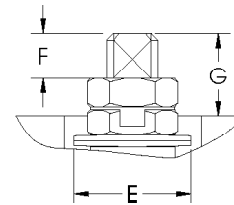
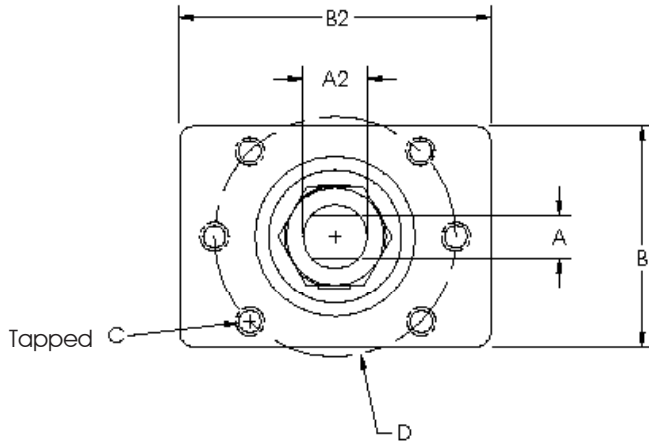
Size 6"

SB7 - 6" (Single Nut)

SIZE	A	A2 Thread	B	B2	C	D	ISO 5211	E	F	G
6"	1.02	M42x3	4.41	5.59	1/2 - 13 UNC	4.92	F12	3.15	1.50	3.26



SB7F - SIZES 1/4" ~ 3/4" (ALSO FOR SERIES TSB7F)



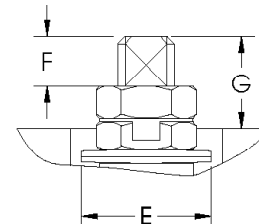
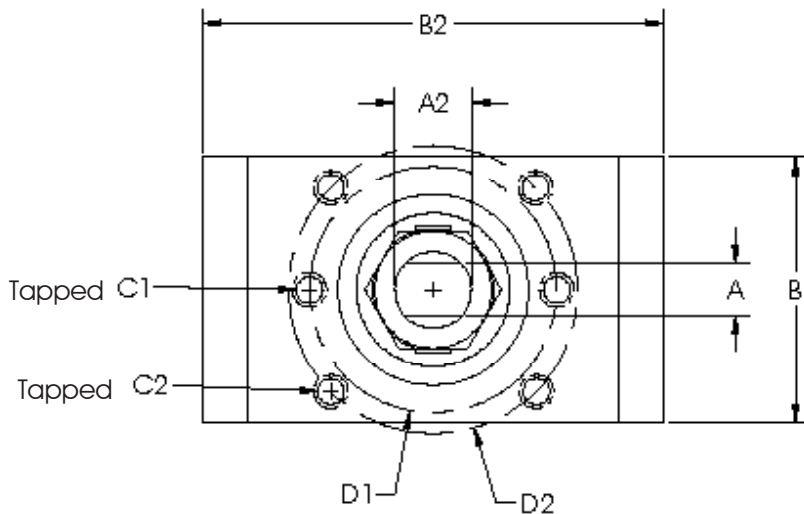
SB7F

Sizes 1/4" ~ 3/4"

SB7F/TSB7F - 1/4" ~ 3/4" (Double Nut)

SIZE	A	A2	B	B2	C	D1	ISO 5211	E	F	G
1/4"	0.22	0.37	1.4	1.8	M5-0.8	1.42	F03	1.0	0.21	0.64
3/8"	0.22	0.37	1.4	1.8	M5-0.8	1.42	F03	1.0	0.21	0.64
1/2"	0.22	0.37	1.4	1.8	M5-0.8	1.42	F03	1.0	0.21	0.64
3/4"	0.22	0.37	1.4	1.8	M5-0.8	1.42	F03	1.0	0.21	0.64

SB7F - SIZES 1" ~ 2" (ALSO FOR SERIES TSB7F)



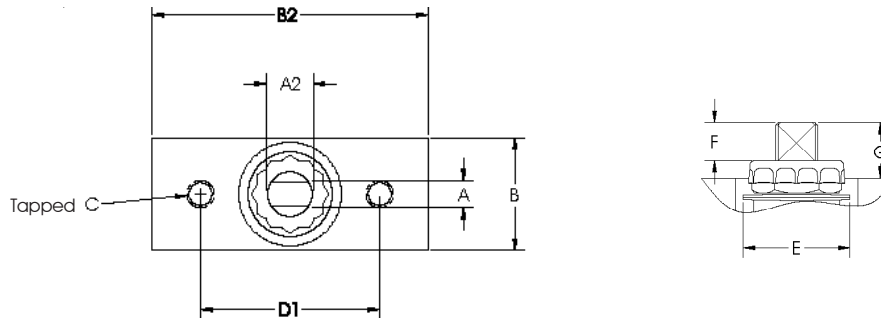
SB7F

Sizes 1" ~ 2"

SB7F/TSB7F - 1" ~ 2" (Double Nut)

SIZE	A	A2	B	B2	C1 & C2	D1	D2	ISO 5211	E	F	G
1"	0.30	0.43	1.6	2.3	M5-0.8	1.65	1.65	F04	1.2	0.33	0.72
1-1/2"	0.34	0.56	2.1	3.2	M6-1.0	1.75	1.97	F05	1.4	0.43	1.16
2"	0.34	0.56	2.6	3.9	M6-1.0	1.75	1.97	F05	1.4	0.43	1.16

P4 - SIZE 1/2"



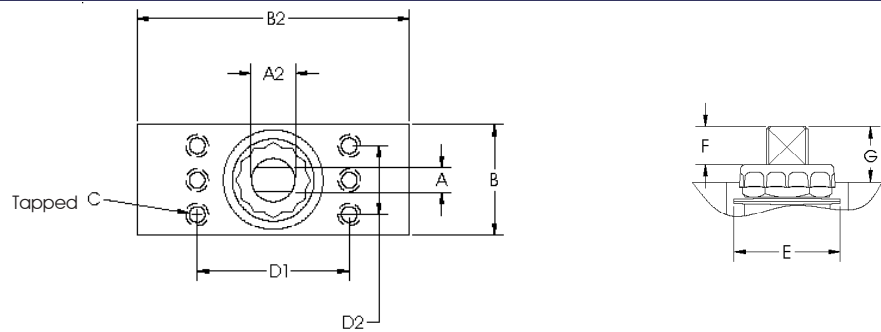
P4

Size 1/2"

P4 - 1/2" (Single Nut)

SIZE	A	A2	B	B2	C	D1	E	F	G
3/4"	0.22	0.37	0.81	2.0	M5-0.8	1.31	0.7	0.27	0.51

P4 - SIZE 3/4"



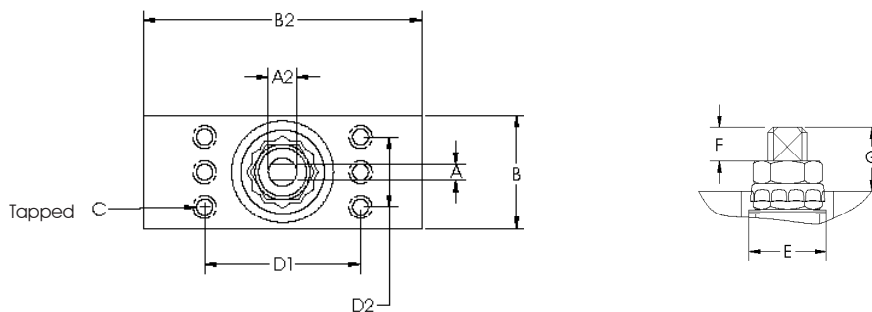
P4

Size 3/4"

P4 - 3/4" (Single Nut)

SIZE	A	A2	B	B2	C	D1	D2	E	F	G
3/4"	0.22	0.37	0.97	2.38	M5-0.8	1.33	0.43	0.7	0.27	0.40

P4 - SIZE 1"



P4

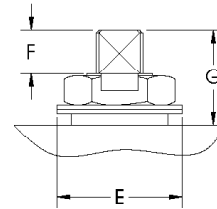
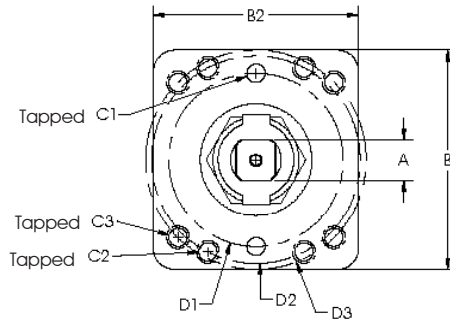
Size 1"

P4 - 1" (Double Nut)

SIZE	A	A2	B	B2	C	D1	D2	E	F	G
1"	0.30	0.43	1.25	2.26	M5-0.8	1.65	0.94	0.9	0.31	0.83



FS7 - SIZES 3" & 4"



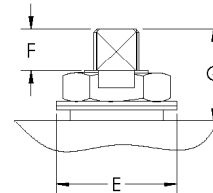
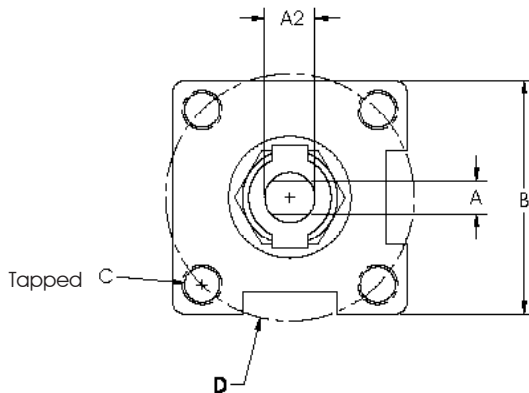
FS7

Sizes 3" ~ 4"

FS7 - 3" ~ 4" (Single Nut)

SIZE	A	B	B2	C1	C2 & C3	D1	D2	D3	ISO 5211	E	F	G
3"	0.75	4.0	3.8	0.32	M10-1.5	3.17	3.75	4.01	F10	1.9	0.71	1.87
4"	0.75	4.0	3.8	0.32	M10-1.5	3.17	3.75	4.01	F10	1.9	0.71	1.87

HBEV - SIZES 1/4" ~ 2"



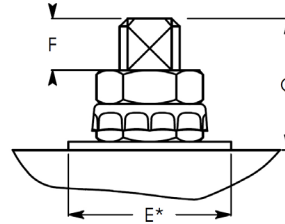
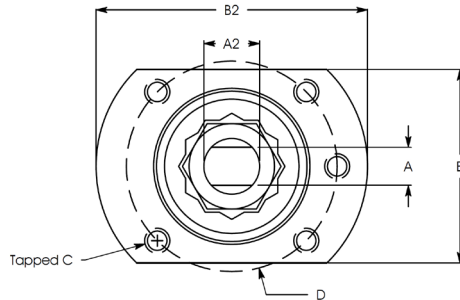
HBEV

Sizes 1/4" ~ 2"

HBEV - 1/4" ~ 2" (Single Nut)

SIZE	A	A2	B	C	D	ISO 5211	E	F	G
1/4"	0.22	0.36	1.4	M5-0.8	1.42	F03	0.8	0.31	0.58
3/8"	0.22	0.36	1.4	M5-0.8	1.42	F03	0.8	0.31	0.58
1/2"	0.22	0.36	1.4	M5-0.8	1.42	F03	0.8	0.36	0.63
3/4"	0.30	0.43	1.6	M5-0.8	1.65	F04	0.9	0.55	0.84
1"	0.34	0.54	1.6	M5-0.8	1.65	F04	1.1	0.51	0.90
1-1/2"	0.39	0.61	1.9	M6-1.0	1.97	F05	1.3	0.56	1.06
2"	0.39	0.61	1.9	M6-1.0	1.97	F05	1.3	0.61	1.06

SC MODELS SCD05 - SCD10



* Alignment Ring

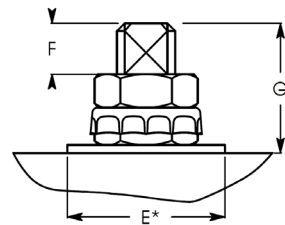
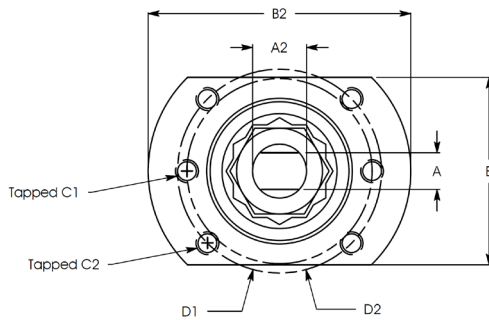


SCD05
SCD10

SC Models SCD05 - SCD10 (Double Nut)

MODEL	A	A2	B	B2	C	D	ISO 5211	E	F	G
SCD05	0.22	0.37	1.5	1.8	M5-0.8	1.42	F03	1.0	0.15	0.52
SCD10	0.30	0.43	1.7	2.0	M5-0.8	1.65	F04	1.2	0.31	0.70

SC MODEL SCD15



* Alignment Ring

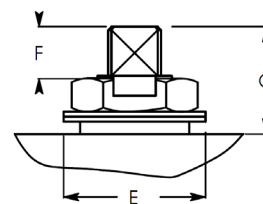
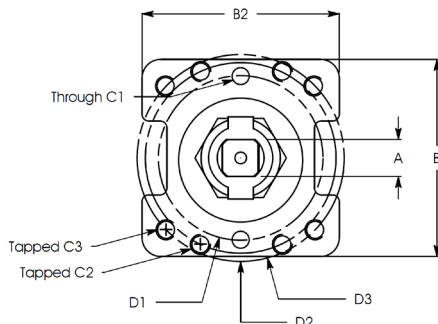


SCD15

SC Model SCD15 (Double Nut)

MODEL	A	A2	B	B2	C	D1	D2	ISO 5211	E	F	G
SCD15	0.34	0.56	1.8	2.5	M6-1.0	1.85	1.97	F05	1.4	0.44	1.17

SC MODEL SCD30



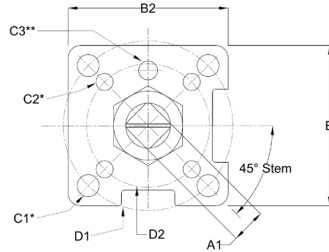
SCD30

SC Model SCD30 (Single Nut)

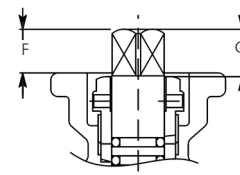
MODEL	A	B	B2	C1	C2 & C3	D1	D2	D3	ISO 5211	E	F	G
SCD30	0.75	4.0	4.0	3.2	M10-1.5	3.17	3.78	4.01	F10	2.0	0.94	1.85



BEV9 - SIZES 1/2" ~ 2"



* C1 & C2 are through holes
**C3 is a tapped hole



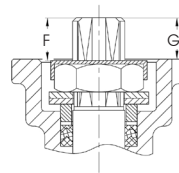
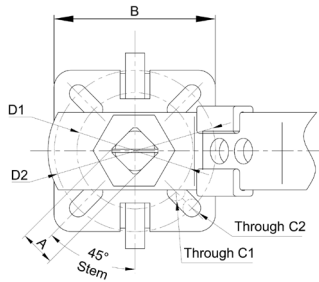
BEV9

Sizes 1/2" ~ 2"

BEV9

SIZE	A1	B	B2	C1	C2	C3	D1	ISO 5211	D2	ISO 5211	F	G
1/2"	0.35	1.9	1.9	0.28	0.24	M5	1.97	F05	1.42	F03	0.33	0.37
3/4"	0.35	1.9	1.9	0.28	0.24	M5	1.97	F05	1.42	F03	0.33	0.37
1"	0.35	2.0	2.0	0.28	0.24	M5	1.97	F05	1.42	F03	0.45	0.41
1-1/2"	0.55	2.6	2.6	0.35	0.28	M5	2.76	F07	1.97	F05	0.55	0.61
2"	0.55	2.6	2.6	0.35	0.28	M5	2.76	F07	1.97	F05	0.55	0.61

SB9 - SIZES 1/2" ~ 4"



SB9

Sizes 1/2" ~ 4"

MZ9

Sizes 1/2" ~ 2"

These drawings can be used for both the Series SB9 and Series MZ9. Dimensions for the Series MZ9 are in the table at the bottom of the page.

SB9

SIZE	A	B	C1	C2	D1	ISO 5211	D2	ISO 5211	F	G
1/2"	0.35	1.7	0.24	0.24	1.42	F03	1.65	F04	0.37	0.35
3/4"	0.35	1.7	0.24	0.28	1.42	F03	1.97	F05	0.37	0.35
1"	0.43	2.0	0.24	0.28	1.65	F04	1.97	F05	0.45	0.43
1-1/2"	0.55	2.6	0.28	0.35	1.97	F05	2.76	F07	0.57	0.55
2"	0.55	2.6	0.28	0.35	1.97	F05	2.76	F07	0.57	0.55
2-1/2"	0.67	3.6	0.35	0.43	2.76	F07	4.02	F10	0.69	0.67
3"	0.67	3.6	0.35	0.43	2.76	F07	4.02	F10	0.69	0.67
4"	0.87	3.6	-	0.43	-	-	4.02	F10	0.89	0.87

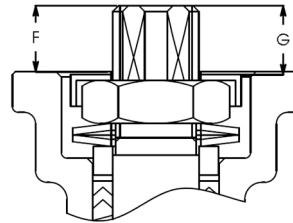
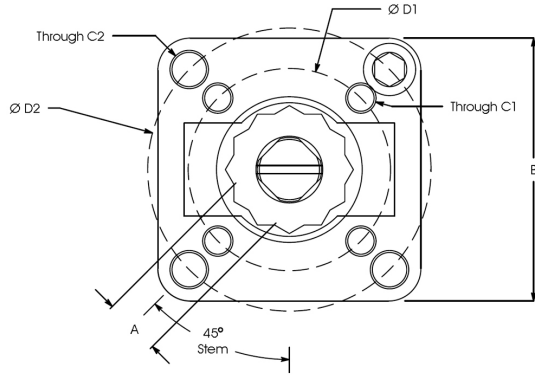
MZ9 - SIZES 1/2" ~ 2"

MZ9

MZ9

SIZE	A	B	C1	C2	D1	ISO 5211	D2	ISO 5211	F	G
1/2"	0.35	1.7	0.24	0.24	1.42	F03	1.65	F04		0.35
3/4"	0.43	2.0	0.24	0.28	1.65	F04	1.97	F05		0.45
1"	0.43	2.0	0.24	0.28	1.65	F04	1.97	F05		0.45
1-1/2"	0.55	2.8	0.28	0.35	1.97	F05	2.76	F07		0.59
2"	0.67	3.8	0.35	0.43	2.76	F07	4.02	F10		0.71

B42C - SIZES 1/2" ~ 8"



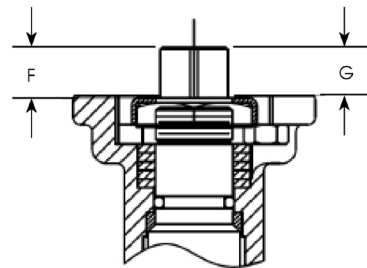
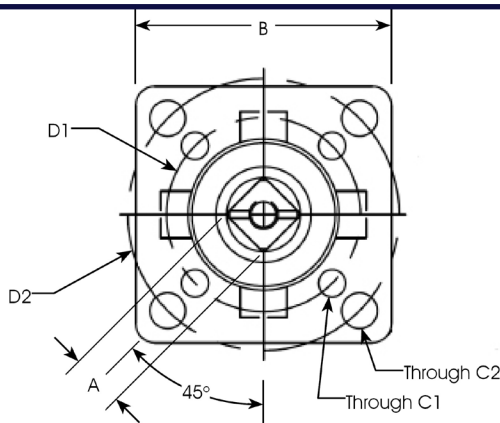
B42C

Sizes 1/2" ~ 8"

B42C - 1/2" ~ 8" (Single Nut)

SIZE	A	B	C1	C2	D1	ISO 5211	D2	ISO 5211	F	G
1/2"	0.35	1.7	0.24	0.24	1.42	F03	1.65	F04	0.36	0.35
3/4"	0.35	2.0	0.24	0.24	1.42	F03	1.65	F04	0.49	0.35
1"	0.43	2.0	0.24	0.28	1.65	F04	1.97	F05	0.57	0.43
1-1/2"	0.55	2.6	0.28	0.35	1.97	F05	2.76	F07	0.70	0.55
2"	0.55	2.6	0.28	0.35	1.97	F05	2.76	F07	0.59	0.55
2-1/2"	0.67	3.6	0.35	0.43	2.76	F07	4.02	F10	0.70	0.67
3"	0.67	3.6	0.35	0.43	2.76	F07	4.02	F10	0.67	0.67
4"	0.87	3.6	-	0.43	-	-	4.02	F10	0.82	0.87
6"	1.06	4.9	0.55	-	4.92	F12	-	-	1.12	1.08
8"	1.06	5.5	0.55	-	4.92	F12	-	-	1.12	1.08

K8 - SIZES 1/2" ~ 2"



K8

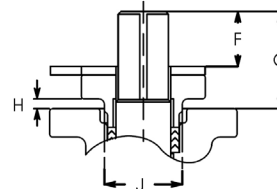
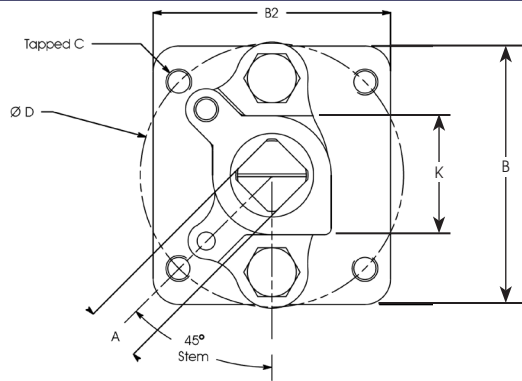
Sizes 1/2" ~ 2"

K8 - 1/2" ~ 2"

SIZE	A	B (SQ.)	C1	C2	D1	ISO 5211	D2	ISO 5211	F	G
1/2"	0.36	1.97	0.20	0.24	1.65	F04	1.97	F05	0.36	0.31
3/4"	0.36	1.97	0.20	0.24	1.65	F04	1.97	F05	0.36	0.31
1"	0.36	1.97	0.20	0.24	1.65	F04	1.97	F05	0.36	0.31
1-1/2"	0.43	2.6	0.28	0.36	1.97	F05	2.76	F07	0.49	0.44
2"	0.55	3.7	0.36	0.44	2.76	F07	4.02	F10	0.60	0.56



B43C - SIZES 1/2" ~ 4"



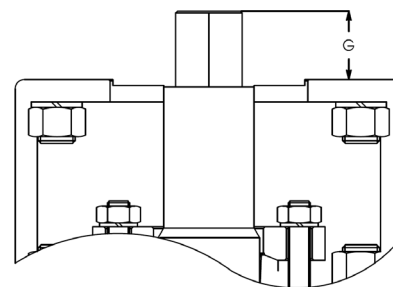
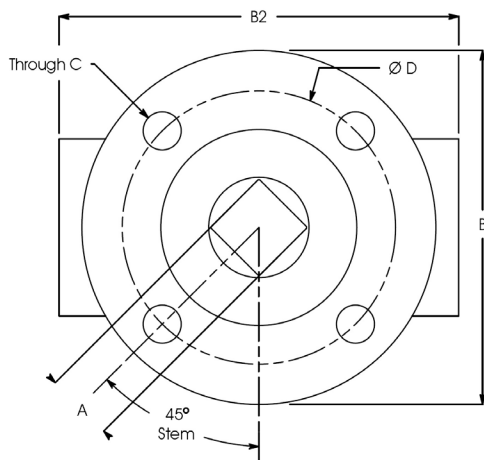
B43C

Sizes 1/2" ~ 4"

B43C - 1/2" ~ 4" (Single Nut)

SIZE	A	B	B2	C	D	ISO 5211	F	G	H	J	K
1/2"	0.35	2.20	1.57	M5-0.8	1.65	F04	0.46	0.91	0.12	0.71	1.06
3/4"	0.35	2.20	1.57	M5-0.8	1.65	F04	0.48	0.91	0.12	0.71	1.06
1"	0.43	2.56	1.97	M6-1.0	1.97	F05	0.55	1.06	0.12	0.91	1.34
1-1/2"	0.55	3.46	2.56	M8-1.25	2.76	F07	0.75	1.36	0.20	1.06	1.73
2"	0.55	3.46	2.56	M8-1.25	2.76	F07	0.75	1.36	0.20	1.06	1.73
2-1/2"	0.67	3.94	3.62	M10-1.5	4.02	F10	1.04	1.98	0.31	1.34	1.65
3"	0.67	3.94	3.62	M10-1.5	4.02	F10	1.04	1.98	0.31	1.34	1.65
4"	0.87	3.94	3.62	M10-1.5	4.02	F10	1.21	2.18	0.31	1.57	1.81

B43T - SIZES 6" & 8" TRUNNION VALVES



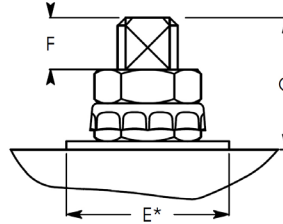
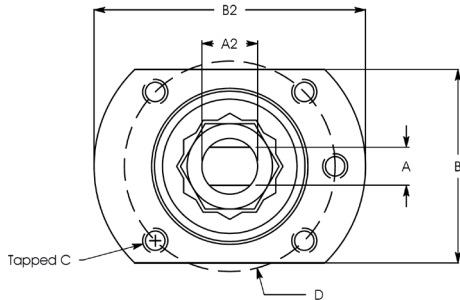
B43T

Sizes 6" & 8"

B43T - 6" & 8" Trunnion Valves

SIZE	A	B	B2	C	D	G
6"	1.06	8.27	9.21	0.87	6.54	1.06
8"	1.42	8.27	9.21	0.87	6.54	1.42

CAST STEM EXTENSIONS MODELS CISO05 - CISO10



* Alignment Ring

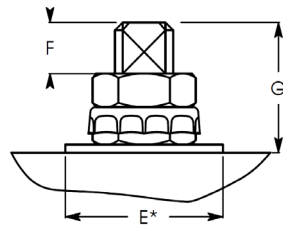
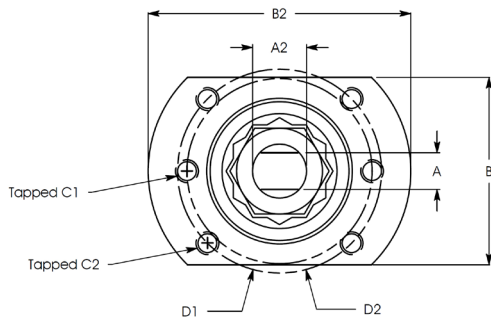


CISO05
CISO10

STEM EXTENSIONS CISO05 - SCISO10 (Double Nut)

MODEL	A	A2	B	B2	C	D	ISO 5211	E	F	G
CISO05	0.22	0.37	1.5	1.8	M5-0.8	1.42	F03	1.0	0.15	0.52
CISO10	0.30	0.43	1.7	2.0	M5-0.8	1.65	F04	1.2	0.31	0.70

CAST STEM EXTENSIONS MODEL CISO15



* Alignment Ring

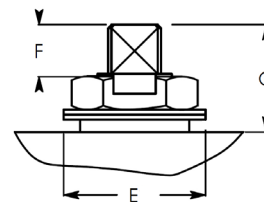
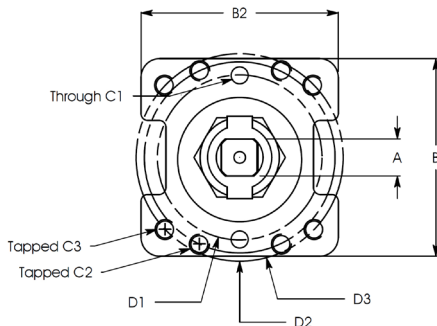


CISO15

STEM EXTENSION CISO15 (Double Nut)

MODEL	A	A2	B	B2	C	D1	D2	ISO 5211	E	F	G
CISO15	0.34	0.56	1.8	2.5	M6-1.0	1.85	1.97	F05	1.4	0.44	1.17

CAST STEM EXTENSIONS MODEL CISO30



CISO30

STEM EXTENSION CISO30 (Single Nut)

MODEL	A	B	B2	C1	C2 & C3	D1	D2	D3	ISO 5211	E	F	G
CISO30	0.75	4.0	4.0	3.2	M10-1.5	3.17	3.78	4.01	F10	2.0	0.94	1.85