

Three-Piece CleanFLOW™ High Purity Ball Valve, Sizes 1/2" ~ 6"



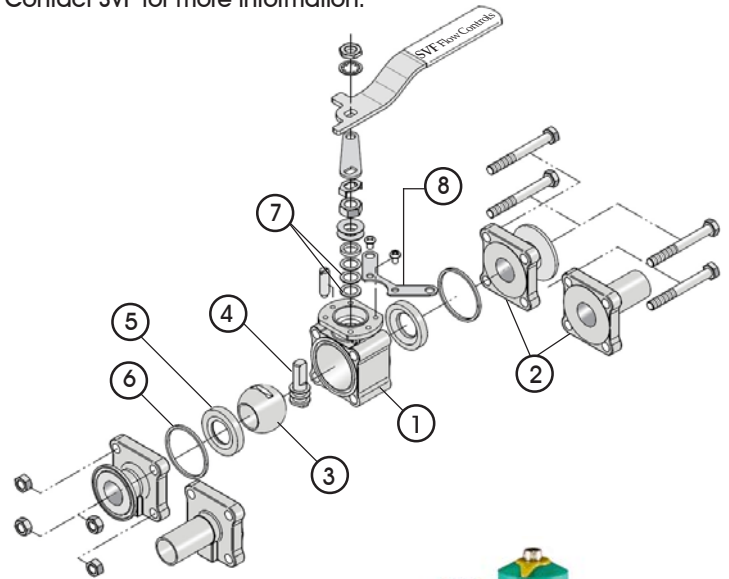
CleanFLOW™ SB7 ball valves are engineered to be a true process piping component to specifically meet the demanding processes found in the pharmaceutical and food & beverage industries. The "Tube-ID" port opening is dimensionally identical to the adjacent tubing to comply with ASME-BPE guidelines. The standard TFM1 600™ seat material complies with 21CFR 177.1550.

SERIES SB7 DESIGN FEATURES

- ✓ ASME-BPE compliant
- ✓ Cavity filled TFM1 600™ seat option available (SBC7)
- ✓ Complete 316L Stainless Steel cast construction
- ✓ Drainable design with "Tube-ID" dimensions
- ✓ Weld bosses for easy purge porting on ends
- ✓ ISO 5211 mounting pad for easy actuation
- ✓ Encapsulated body seals to facilitate welding without disassembly
- ✓ End connections include Tri-Clamp and Extended Tube O.D.
- ✓ Controlled delta ferrite chemistry
- ✓ Standard interior finish is 20Ra or better
- ✓ ETO ends are designed for Orbital Welding
- ✓ Exclusive "Fine Adjust" handle for precise positioning



The Series SB7 Ball Valve is available with additional options. Contact SVF for more information.



MATERIALS OF CONSTRUCTION

ITEM	DESCRIPTION	MATERIALS SPECIFICATIONS (Additional options available)
1	Body	316L Stainless Steel (ASTM A351 CF3MN)
2	End Connector	316L Stainless Steel (ASTM A351 CF3MN)
3	Ball	316L Stainless Steel (ASTM A351 CF3M)
4	Stem	316L Stainless Steel (ASTM A351 CF3M)
5	Seat	TFM1 600™
6	Body Seal	PTFE
7	Stem Seal	TFM1 600™
8	Locking Device (Optional)	304 Stainless Steel

SVF Series SB7 Ball Valve with *aero*² Actuator and Low-Profile Limit Switch



What do you need today?™

HIGH PURITY
CleanFLOW
www.CleanFLOW.net

PRO-SPEC
 PROCESS SPECIFIC
WWW.PRO-SPEC.NET

QUALITY FLOWS
 THROUGH US

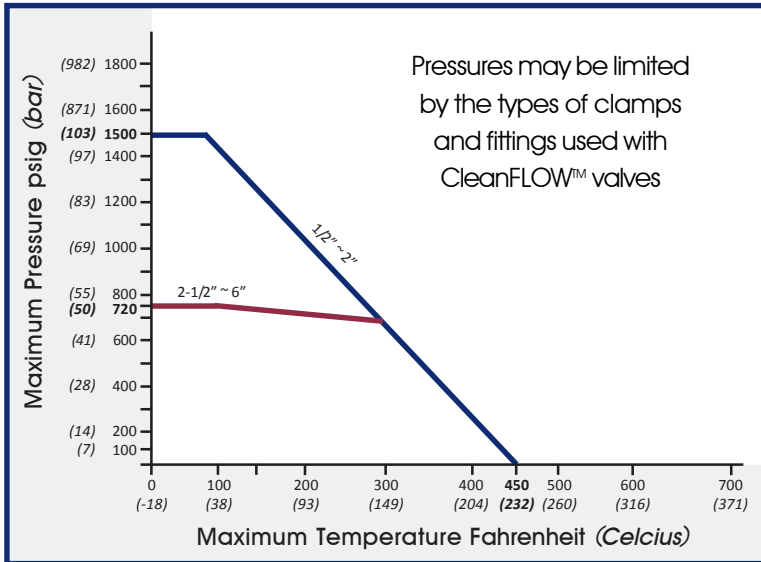
Three-Piece CleanFLOW™ High Purity Ball Valve, Sizes 1/2" ~ 6"



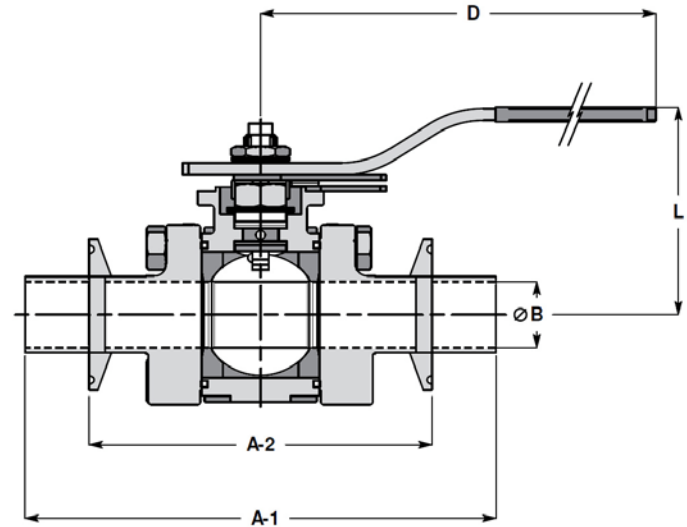
DIMENSIONS, WEIGHT, C_v, TORQUE

Size	A-1		A-2		B		D		L		Weight		C _v	Torque*	
	in.	mm	in.	mm	in.	mm	in.	mm	in.	mm	lbs	kg		in-lb _f	Nm
1/2"	5.50	140	3.50	89	0.37	9	5	114	2.22	56	2	0.9	8	60	7
3/4"	6.00	152	4.00	102	0.62	16	5	114	2.28	58	2	0.9	29	60	7
1"	6.50	165	4.50	114	0.87	22	6	146	2.56	65	4	1.8	66	100	11
1-1/2"	7.50	191	5.50	140	1.37	35	7	178	3.09	78	8	3.6	192	200	23
2"	8.00	203	6.25	159	1.87	47	7	178	3.45	88	13	5.9	434	250	28
2-1/2"	9.50	241	6.75	171	2.37	60	10	254	5.35	136	23	10.4	723	450	51
3"	10.50	267	7.00	178	2.87	73	14	348	6.55	166	31	14.1	1124	1300	147
4"	12.50	318	8.50	216	3.83	97	22	559	7.14	181	46	20.9	2100	1400	158
6"	16.00	406	17.00	432	5.78	147	26	660	12.00	305	196	88.5	4700	4160	470

SB7 - PRESSURE/TEMPERATURE CHART



* At full differential pressure for clean fluids with TFM1600™ Non-Cavity Filled Seats



HOW TO ORDER SERIES SB7 BALL VALVES

SERIES	BODY & END MATERIAL	BALL & STEM MATERIAL	SEAT	BODY SEAL	ENDS	SIZE
SB7	66 = 316L Stainless Steel ASTM A351 CF3MN	66 = 316L Stainless Steel ASTM A351 CF3M	A = TFM1600™	T = PTFE	TR = Tri-Clamp ETO = Extended Tube OD Other End Connection Options Available	05 = 1/2" 20 = 2" 07 = 3/4" 25 = 2-1/2" 10 = 1" 30 = 3" 15 = 1-1/2" 40 = 4" 60 = 6"
Order Example: (SB7666ATTR05)						
Example Description: Stainless Steel Body & Ends, Stainless Steel Ball & Stem, TFM1600™ Seat, PTFE Body Seal, Tri-Clamp Ends, 1/2" Size						
SB7	66	66	A	T	TR	05

Subject to revisions. Please visit www.SVF.net for the latest updates on this Data Sheet. All Data Sheets posted on our website supersede all prior publications • [Document #DDS-SB7_04_2010 • Series SB7 Data Sheet - 10/07/2010]