

# SELF-PRIMING FRAME MOUNTED PUMP

Series: BSP30MU

4" x 4"

Universal Drive

Spherical solids handling: 1¼"



## SUCTION

4" NPT, female flange.

## DISCHARGE

4" NPT, female.

## LIQUID TEMPERATURE

**Continuous:** 160° F (71° C).

## VOLUTE

Cast iron ASTM A-48, class 30.

## BODY

Cast iron ASTM A-48, class 30.

## PEDESTAL

Cast iron ASTM A-48, class 30.

## IMPELLER

**Design:** 4 vanes, semi-open type, dynamically balanced.

**Material:** cast iron ASTM A-48, class 30.

## SHAFT

Steel.

## SHAFT SLEEVE

Steel.

## HARDWARE

Steel.

## O-RINGS

Buna-N.

## PAINT

Air dry enamel, water based.

## SEAL

**Design:** single mechanical with lip seal, water lubricated.

**Material:** ceramic stationary part, carbon ring seal and exclusion in the rotating part. Buna-N elastomer and stainless steel spring.

## CHECKVALVE

**Valve:** flap-neoprene

**Weight:** steel.

## BEARING-DRIVE END

Single row, ball, grease lubricated.

## BEARING-PUMP END

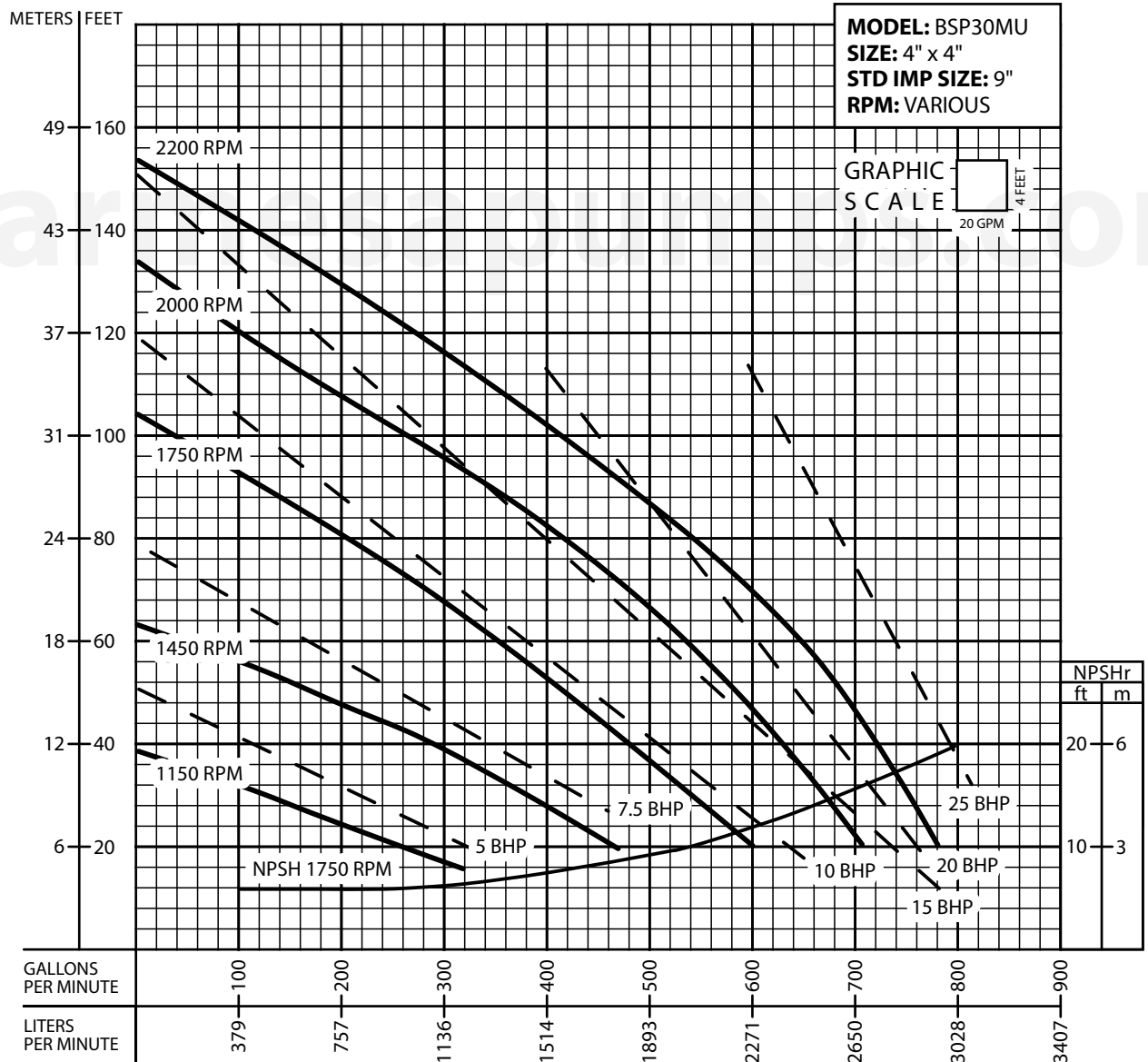
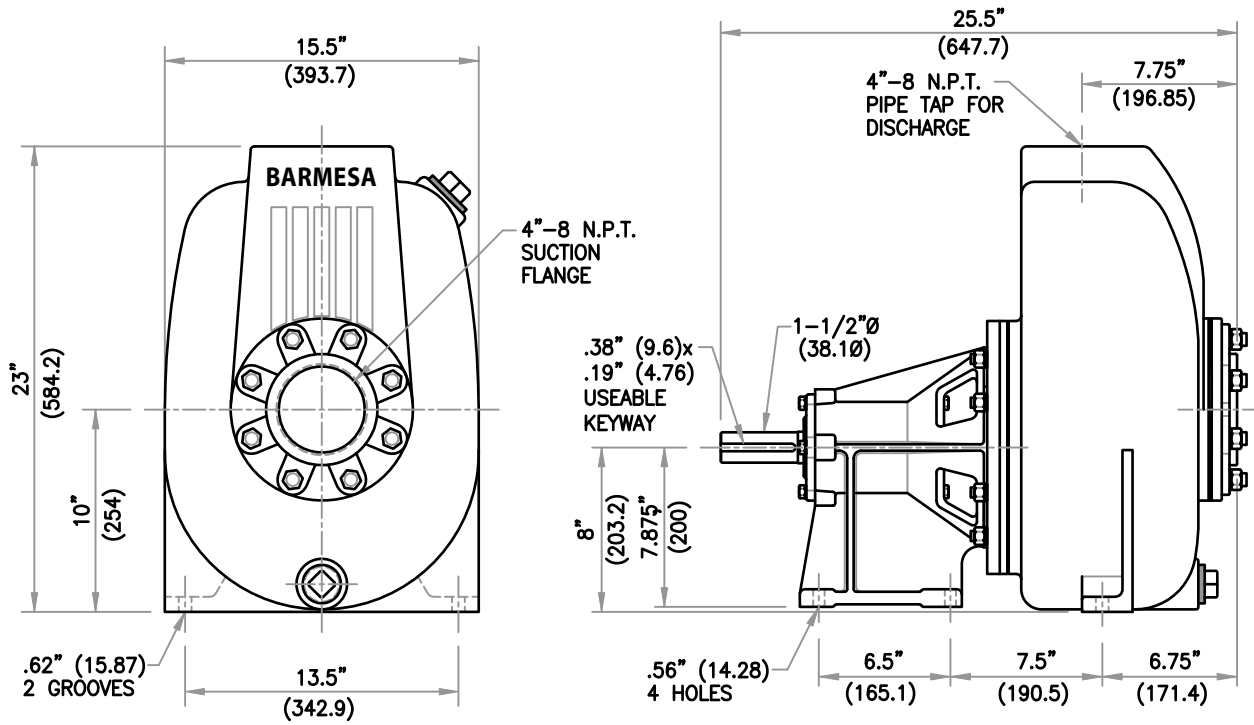
Single row, ball, grease lubricated.

## SHIM SET

Stainless steel.

## STRAINER

Steel.



Testing is performed with water specific gravity of 1.0 @ 68° F (20° C); other fluids may vary performance.