

END-SUCTION CENTRIFUGAL PUMPS

Series: IC1½ & IC1½H
1.5 - 10 HP / 3500 RPM
Suction: 1½" NPT
Discharge: 1½" NPT



APPLICATIONS

- ▶ Booster systems
- ▶ Water transfer
- ▶ Chilled water system
- ▶ High flow-rate / medium pressure

VOLUTE

Cast iron ASTM A-48 class 30.

INTERMEDIATE COUPLING

Cast iron ASTM A-48 class 30.

IMPELLER

Design: 5 vanes, closed, statically balanced.

Material: Noryl (IC1½) and cast iron ASTM A-48 class 30 (IC1½H).

SEAL

Design: mechanical, type 01.

Material: Ceramic stationary part, carbon ring seal and exclusion in the rotating part. Buna-N elastomer and stainless steel spring.

SHAFT SLEEVE

Stainless steel.

O-RINGS

Buna-N.

MOTOR

High quality standard & premium efficiency TEFC or ODP electric motors, designed & developed in accordance with industry standards for industrial and commercial pumping applications.

- ▶ 1 to 3 HP: standard efficiency
- ▶ 5-10 HP: premium efficiency
- ▶ 1 & 3 phases, 60 Hz
- ▶ Rated output: 1.5 to 10 HP
- ▶ 3500 RPM

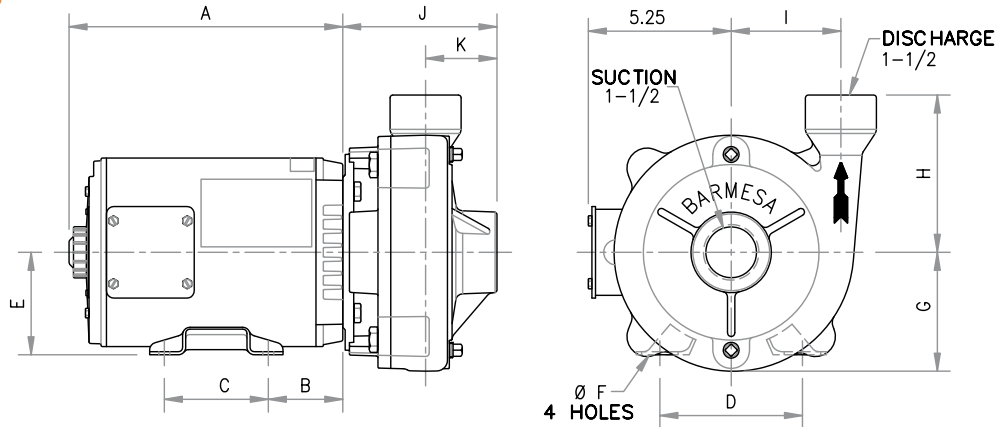
HARDWARE

Carbon steel.

PAINT

Air dry enamel, water based.

Series: IC1½
1.5 - 3 HP



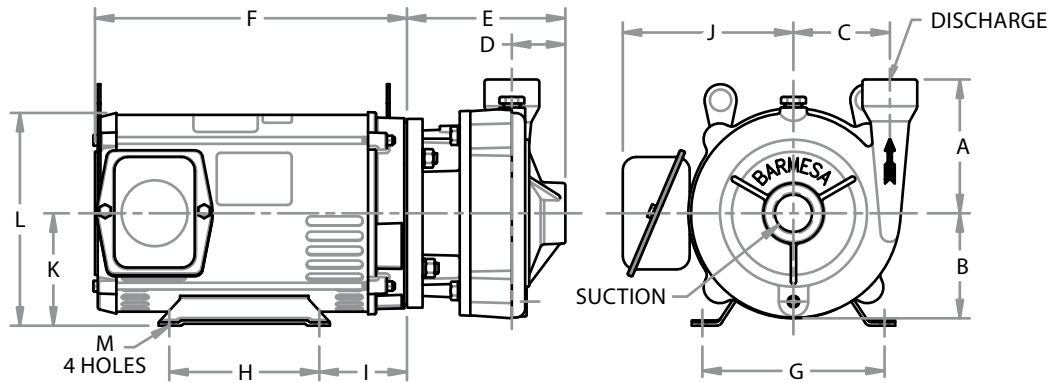
ODP

MODEL	PART No.	SIZE	HP	PHASE	RPM	FRAME	A	B	C	D	E	Ø F	G	H	I	J	K
IC1½-1.5-2	62070509	1½" x 1½"	1.5	3	3500	56 J	8.88	2.13	3.00	4.88	3.50	.38	4.09	5.38	3.75	5.25	2.38
IC1½-1.5-2-1	62070510		1.5	1	3500	56 J											
IC1½-2-2	62070511		2	3	3500	56 J	9.38	2.53									
IC1½-2-2-1	62070512		2	1	3500	56 J											
IC1½-3-2	62070513		3	3	3500	56 J	10.63	2.88									
IC1½-3-2-1	62070514		3	1	3500	56 J											

All dimensions are in inches, and may vary depending on the motor manufacturer.

barmesapumps.com

Series: IC1½H
5 - 10 HP



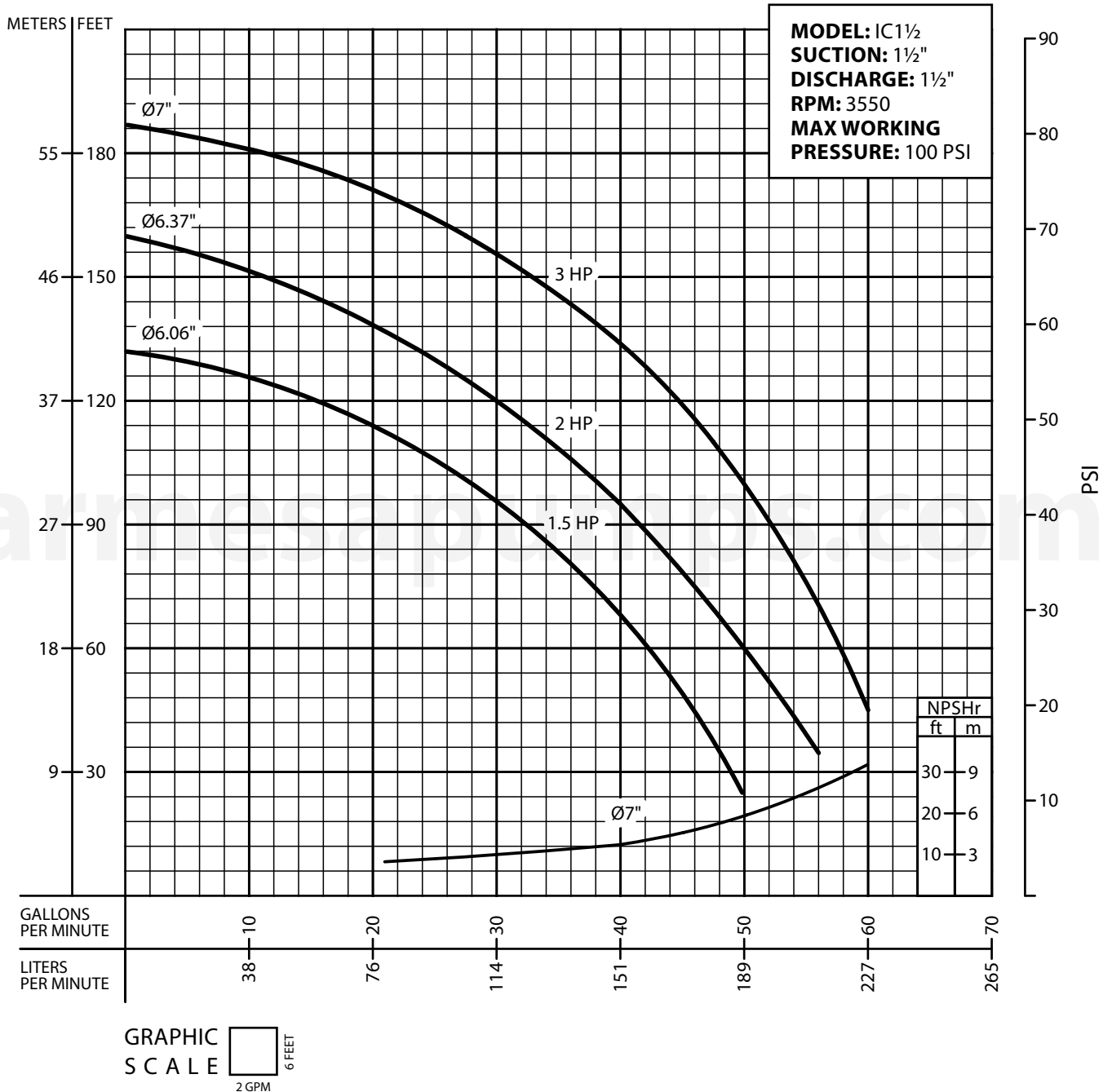
ODP

MODEL	PART No.	SIZE	HP	PHASE	RPM	FRAME	A	B	C	D	E	F	G	H	I	J	K	L	M
IC1½H-5-2	62070515	1½" x 1½"	5	3	3500	184 JM	6.25	4.94	4.5	2.5	7.38	11.81	7.5	5.5	3.63	6.88	4.5	8.5	0.41
IC1½H-7.5-2	62070516		7.5	3	3500	213 JM						13.5	8.5						
IC1½H-10-2	62070517		10	3	3500	215 JM						15	7						

All dimensions are in inches, and may vary depending on the motor manufacturer.

IMPORTANT!

1. Never use this pump to handle explosive liquids.
2. This pump is not approved to be used in swimming pools, recreational installations or any application where human contact may be common.

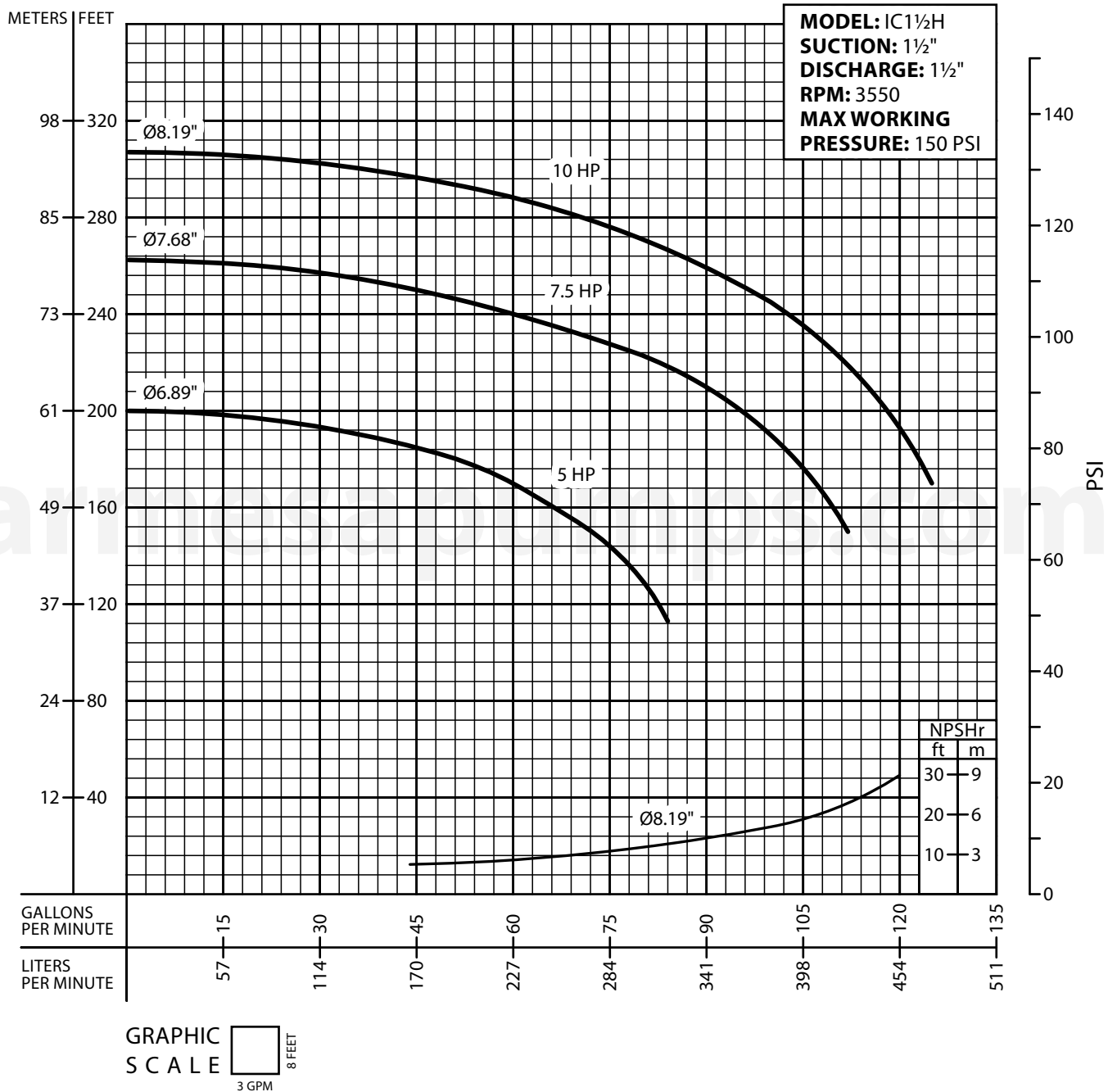


Testing is performed with water specific gravity of 1.0 @ 68° F (20° C); other fluids may vary performance.



PERFORMANCE CURVE

End-Suction Centrifugal Close Coupled Series: IC1½H



Testing is performed with water specific gravity of 1.0 @ 68° F (20° C); other fluids may vary performance.