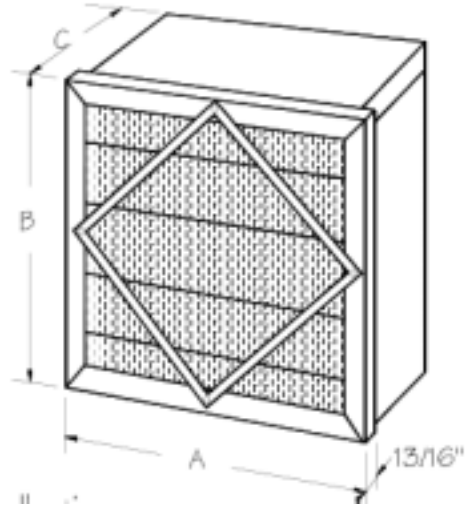


# Clean air...it's what we do

## Specifications

Frame: Polypropylene  
 Media: Polypropylene  
 Media to Frame Sealant: Water resistant adhesive  
 Cross Braces: Polypropylene upstream & downstream  
 UL 900: Class 2

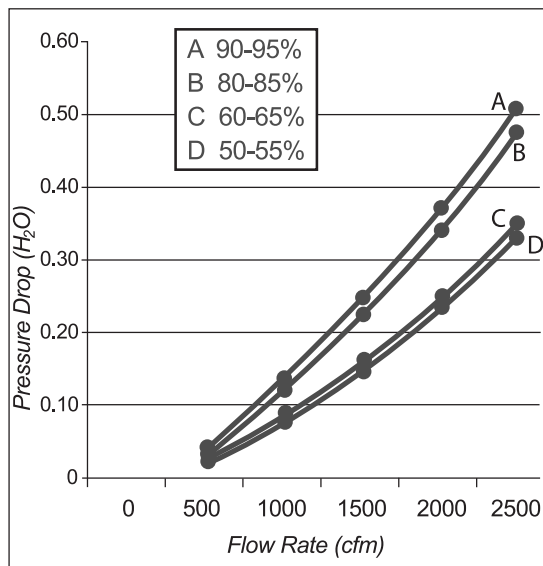
Efficiency:	ASHRAE 52.1	ASHRAE 52.2
	50-55%	MERV 10
	60-65%	MERV 11
	80-85%	MERV 13
	90-95%	MERV 14



AFPP Rigid Filter - 55, 65, 85, 95% Efficiency

Model Number	Nominal Size	Width "A"	Height "B"	Depth "C"
AFPP**S4412H	24x24x12	23-3/8"	23-3/8"	11-1/2"
AFPP**S-2412H	12x24x12	11-3/8"	23-3/8"	11-1/2"
AFPP**S0412H	20x24x12	19-3/8"	23-3/8"	11-1/2"
AFPP**S-0012H	20x20x12	19-3/8"	19-3/8"	11-1/2"
AFPP**S-6012H	16x20x12	15-3/8"	19-3/8"	11-1/2"
AFPP**S-6512H	16x25x12	15-3/8"	24-3/8"	11-1/2"

\*\* Insert 55, 65, 85 or 95% efficiency.



PO Box 2205 Ph: 919-718-5818  
 Sanford, NC 27331 Fax: 919-718-5819  
 info@airscrubbersinc.com

**Rigid Headered Filter,  
12" Nominal Depth**

Date 01/02/10

Model

Revision

**AFPPH**