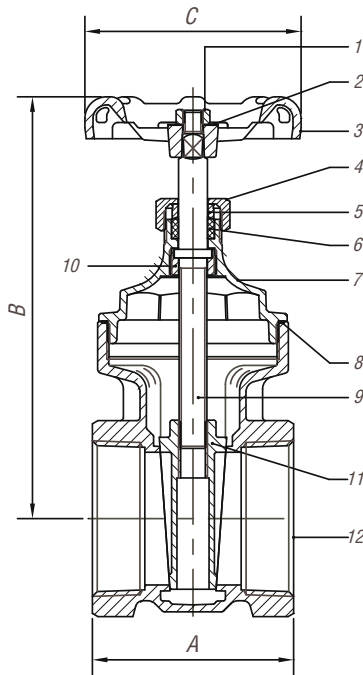


LEAD-FREE BRASS GATE VALVE, THREADED



- California AB1953 lead-free approved
- Meets federal Safe Water Drinking Water Act, lead-free requirement
- 200 lb. WOG / 125 WSP
- Full port (1/4" - 3")
- Cast brass
- Screwed in bonnet
- Non-rising brass stem
- ANSI/NSF 61.8 approved
- ISO 9001:2008 manufacturer



No.	Part	Material
1	Nut	Forged Steel ASTM-AISI-1010
2	Name Plate	Aluminium ASTM B-209, Alloy 1100
3	Hand-Wheel	Cast Iron ASTM A-48, Class No. 35
4	Stem	Brass B16 C36000
5	Packing Nut	Brass B16 C36000 (1/4"-1")
6	Packing Nut	Cast Brass ASTM B-584, C85700 (1-1/2"-4")
7	Gland Follower	Brass ASTM B16, C36000
8	Packing	Graphite
9	Bonnet	Cast Brass ASTM B-584, C89550
10	Stem Lock Nut	Brass ASTM B-16, C36000
11	Disc	Cast Brass ASTM B-584, C89550
12	Body	Cast Brass ASTM B-584, C89550

Size IN	Part Number	Weight LB	A IN	B IN	C IN
1/4	01718501CL	0.5	1.71	2.91	2.09
3/8	01718501EL	0.5	1.71	2.91	2.09
1/2	01718501GL	0.6	1.71	2.91	2.09
3/4	01718501IL	0.8	1.81	3.31	2.13
1	01718501KL	1.1	2.13	3.90	2.48
1-1/4	01718501LL	1.8	2.25	4.61	2.72
1-1/2	01718501ML	2.2	2.44	5.08	3.15
2	01718501NL	3.3	2.70	5.99	3.53

USA 800-766-0076

Fax 323-890-4456

www.smithcooper.com

Los Angeles, CA

Chicago, IL

Atlanta, GA

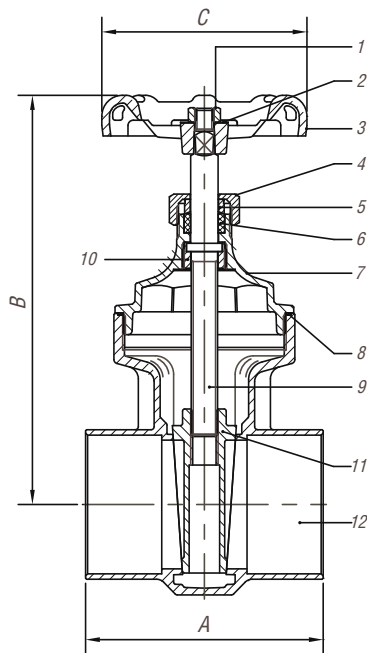
Vancouver, WA

Houston, TX

LEAD-FREE BRASS GATE VALVE, SWEAT



- California AB1953 lead-free approved
- Meets federal Safe Water Drinking Water Act, lead-free requirement
- 200 lb. WOG / 125 lb. WSP
- Full port (1/4" - 3")
- Cast brass
- Non-rising brass stem
- ANSI/NSF 61.8 approved
- ISO 9001:2008 manufacturer



No.	Part	Material
1	Nut	Forged Steel ASTM-AISI-1010
2	Name Plate	Aluminium ASTM B-209, Alloy 1100
3	Hand-Wheel	Cast Iron ASTM A-48, Class No. 35
4	Stem	Brass B16 C36000
5	Packing Nut	Brass B16 C36000 (1/4"-1")
6	Packing Nut	Cast Brass ASTM B-584, C85700 (1-1/2"-4")
7	Gland Follower	Brass ASTM B16, C36000
8	Packing	Graphite
9	Bonnet	Cast Brass ASTM B-584, C89550
10	Stem Lock Nut	Brass ASTM B-16, C36000
11	Disc	Cast Brass ASTM B-584, C89550
12	Body	Cast Brass ASTM B-584, C89550

Size IN	Part Number	Weight LB	A IN	B IN	C IN
3/8	01718502EL	0.5	1.69	2.91	2.09
1/2	01718502GL	0.6	1.69	2.91	2.09
3/4	01718502IL	0.8	2.32	3.31	2.13
1	01718502KL	1.1	2.72	3.90	2.48
1-1/4	01718502LL	1.8	2.94	4.61	2.72
1-1/2	01718502ML	2.2	3.33	5.08	3.15
2	01718502NL	3.3	3.98	5.99	3.53

USA 800-766-0076

Fax 323-890-4456

www.smithcooper.com

Los Angeles, CA

Chicago, IL

Atlanta, GA

Vancouver, WA

Houston, TX