

SELF-PRIMING CLOSE COUPLED PUMPS

Series: BSP3CCE, BSP4CCE &
BSP5CCE

1.5, 2 & 3 HP / 3450 RPM

Suction & Discharge: 1½"

Spherical solids handling: 3/8"



SUCTION/DISCHARGE

1½" NPT, female.

LIQUID TEMPERATURE

Continuous: 160° F (71° C).

INTERMEDIATE

Cast iron ASTM A-48, class 30.

VOLUTE

Cast iron ASTM A-48, class 30.

BODY

Cast iron ASTM A-48, class 30.

BASE

Steel.

IMPELLER

Design: open, trash type, dynamically balanced.

Material: cast iron ASTM A-48, class 30.

SHAFT

416 series stainless steel.

HARDWARE

Steel & stainless steel.

SQUARE RING

Buna-N.

PAINT

Air dry enamel, water based.

SEAL

Design: mechanical, self lubrication.

Material: ceramic stationary part, carbon ring seal and exclusion in the rotating part. Buna-N elastomer and stainless steel spring.

CHECK VALVE

Valve: flap-neoprene

Weight: steel.

MOTOR

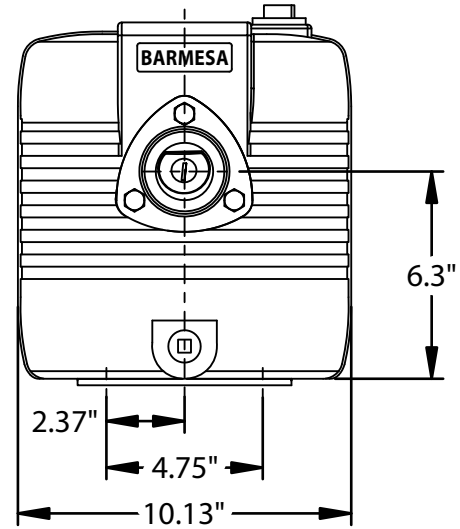
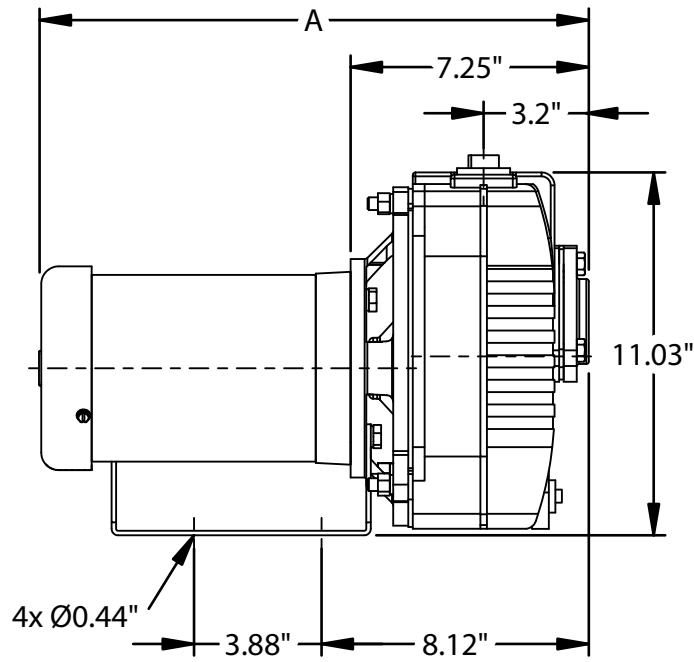
Open Drip Proof or **TEFC**, C-face, footed, squirrel cage induction, class B or F insulation.

Single phase: 115/230 volts, 60 Hz, 3450 RPM.

Three phase: 230/460 volts, 60 Hz, 3450 RPM.

OPTIONAL

Bronze fitted volute and impeller.



MODEL	PART No.	HP	PHASE	VOLTS	ENCLOSURE	RPM (Nominal)	MAX AMPS	A (inches)	WEIGHT (pounds)
BSP3CCE3	-	1.5	3	230/460	ODP	3450	5.5 - 4.4/2.2	17.91	84
BSP3CCE3-T	-	1.5	3	230/460	TEFC	3450	4.9 - 4.6/2.3	17.61	85
BSP3CCE1	-	1.5	1	115/230	ODP	3450	13/6.5	18.58	91
BSP3CCE1-T	-	1.5	1	115/230	TEFC	3450	16.6/8.3	18.43	98
BSP3CCE3-BF	-	1.5	3	230/460	ODP	3450	5.5 - 4.4/2.2	17.91	84
BSP3CCE3-TBF	-	1.5	3	230/460	TEFC	3450	4.9 - 4.6/2.3	17.61	85
BSP3CCE1-BF	-	1.5	1	115/230	ODP	3450	13/6.5	18.58	91
BSP3CCE1-TBF	-	1.5	1	115/230	TEFC	3450	16.6/8.3	18.43	98
BSP4CCE3	-	2	3	230/460	ODP	3450	6.4 - 5.4/2.7	18.41	92
BSP4CCE3-T	-	2	3	230/460	TEFC	3450	7.0 - 5.4/2.7	18.43	98
BSP4CCE1	-	2	1	115/230	ODP	3450	26/13	17.93	101
BSP4CCE1-T	-	2	1	115/230	TEFC	3450	23/11.5	19.31	112
BSP4CCE3-BF	-	2	3	230/460	ODP	3450	6.4 - 5.4/2.7	18.41	92
BSP4CCE3-TBF	-	2	3	230/460	TEFC	3450	7.0 - 5.4/2.7	18.43	98
BSP4CCE1-BF	-	2	1	115/230	ODP	3450	26/13	17.93	101
BSP4CCE1-TBF	-	2	1	115/230	TEFC	3450	23/11.5	19.31	112
BSP5CCE3	-	3	3	230/460	ODP	3450	8.5/8.4	18.43	94
BSP5CCE3-T	-	3	3	230/460	TEFC	3450	8.1 - 7.6/3.8	18.43	97
BSP5CCE1	-	3	1	208/230	ODP	3450	29/14.5	18.81	105
BSP5CCE1-T	-	3	1	115/230	TEFC	3450	26/13	20.68	117
BSP5CCE3-BF	-	3	3	230/460	ODP	3450	8.5/8.4	18.43	94
BSP5CCE3-TBF	-	3	3	230/460	TEFC	3450	8.1 - 7.6/3.8	18.43	97
BSP5CCE1-BF	-	3	1	115/230	ODP	3450	29/14.5	18.81	105
BSP5CCE1-TBF	-	3	1	115/230	TEFC	3450	26/13	20.68	117

T = totally enclosed

BF = bronze fitted

TB = totally enclosed bronze fitted

* Overall length of unit and amps is subject to the motor manufacture.



PERFORMANCE CURVE

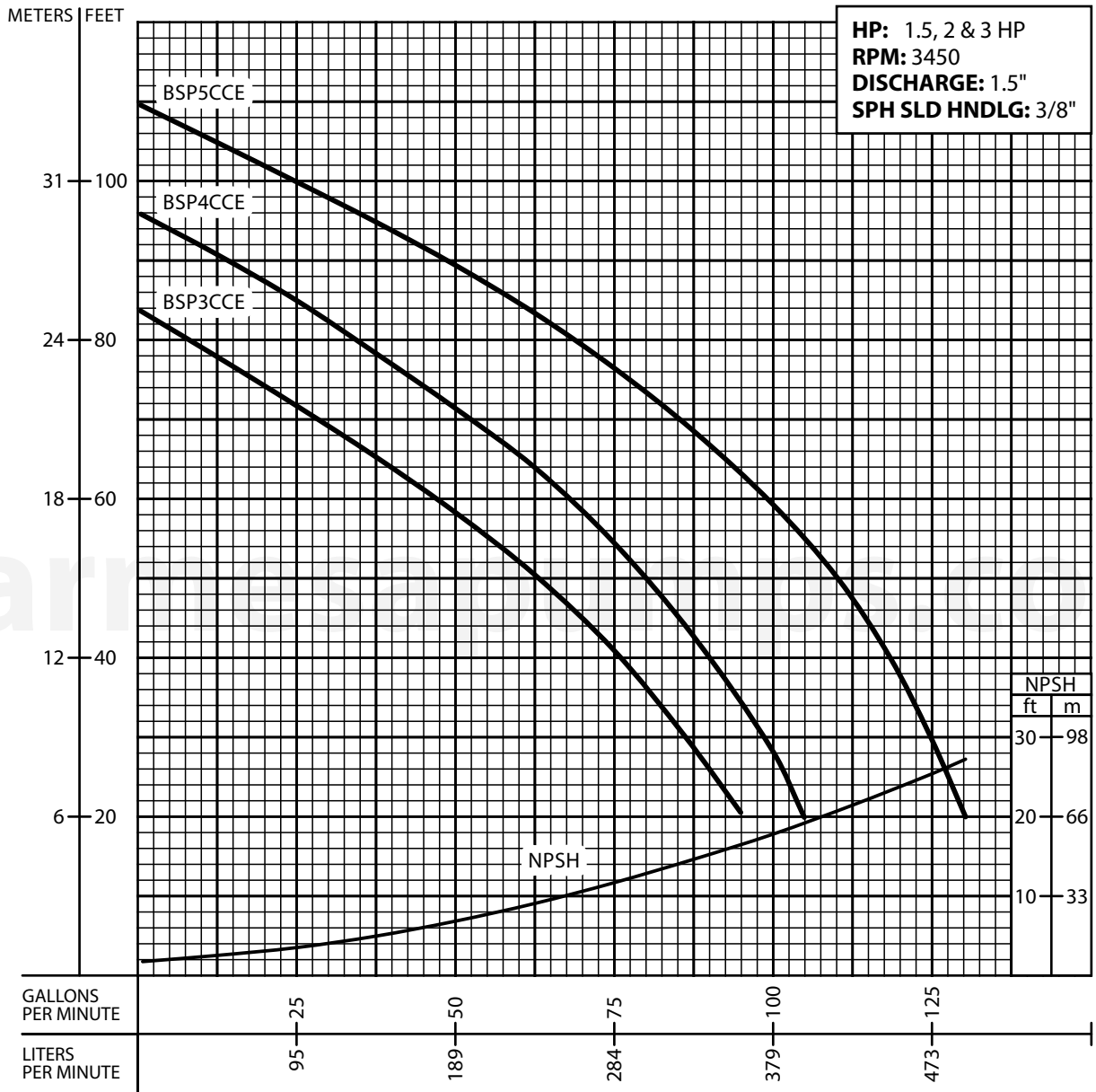
Self-Priming Close

Coupled Pump

Series: **BSP3CCE**

BSP4CCE

BSP5CCE



GRAPHIC SCALE 2 FEET
2.5 GPM

Testing is performed with water specific gravity of 1.0 @ 68° F (20° C); other fluids may vary performance.