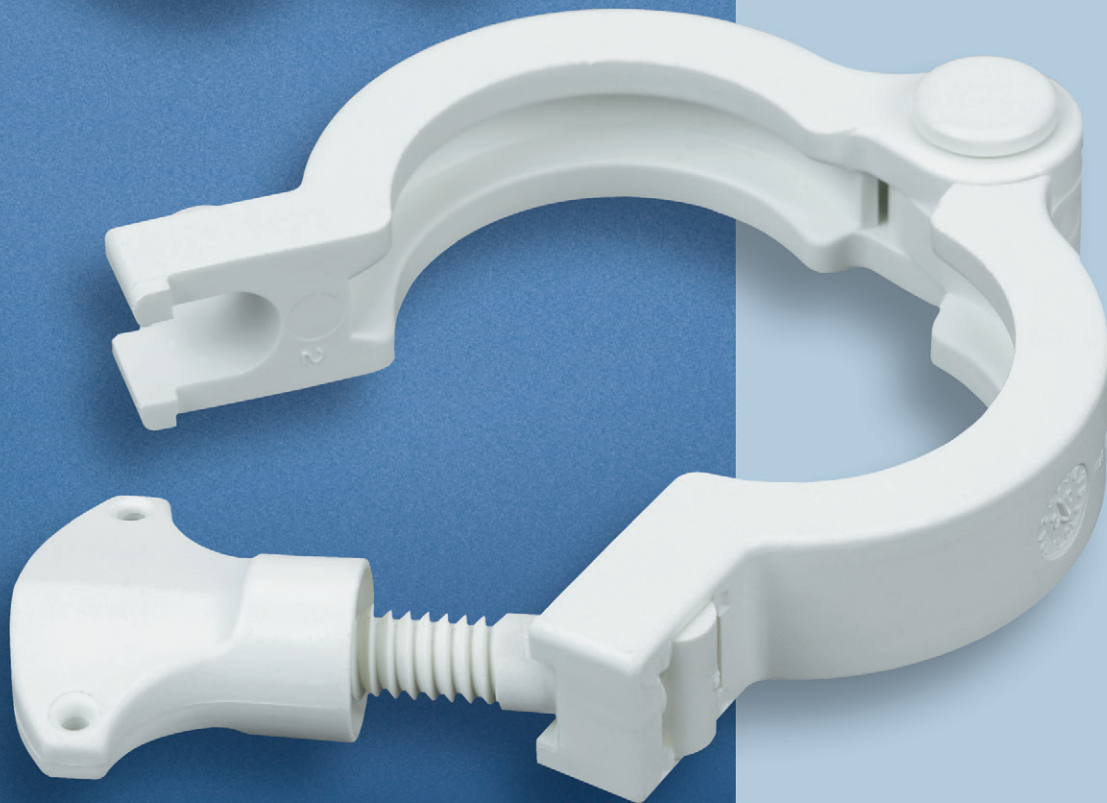


Rubber Fab Technologies Group's

NON-METALLIC SANITARY CLAMP



RUBBER FAB
technologies group

Sanitary Ferrule Clamp

- Constructed of Non-Metallic fiberglass reinforced nylon.
- Accepts sanitary ferrules according to BS 4825, ISO 2852 and Tri-Clover® Standards.
- Will not cause distortion in non-metallic ferrules, as will stainless steel clamps during high operating temperatures and sterilization. Less weight than stainless steel clamps.
- Use where reduction of weight and reduced thermal conductivity transfer is of importance.
- Use on non-metallic to non-metallic, non-metallic to metallic and metallic to metallic sanitary mechanical joints.

Tests and Operating Capability

- For use in GMP Manufacturing.
- Gamma stable to 25-40 kGy.
- Maximum irradiation dosage is 6 mega rads, this dosage is cumulative. Expect to see discoloration and the material to become brittle.
- Autoclave Sterilize to 275°F (135°C) After autoclave clamp may need to be retorqued
- Maximum recommended installation torque specification is 2nm.
- Recommended working pressure, 150 p.s.i. @ 70°F.
- The maximum recommended working temperature is 200°F but the material is stable from -40°F to 200°F.
- PTFE gaskets are not to be used in conjunction with the non-metallic clamp. Acceptable elastomers are: Tuf-Flex®, Silicone, FKM, Fluoroelastomer, EPDM and Buna.

Cautions

- Maximum irradiation dosage is 6 mega rads, this dosage is cumulative. Expect to see discoloration and the material to become brittle.
- Do not over torque. Maximum recommended torque is 2nm.
- After autoclaving, clamps may need to be re-torqued.
- PTFE gaskets are not to be used in conjunction with the non-metallic clamp. Acceptable elastomers are: Tuf-Flex®, Silicone, FKM, Fluoroelastomer, EPDM and Buna.

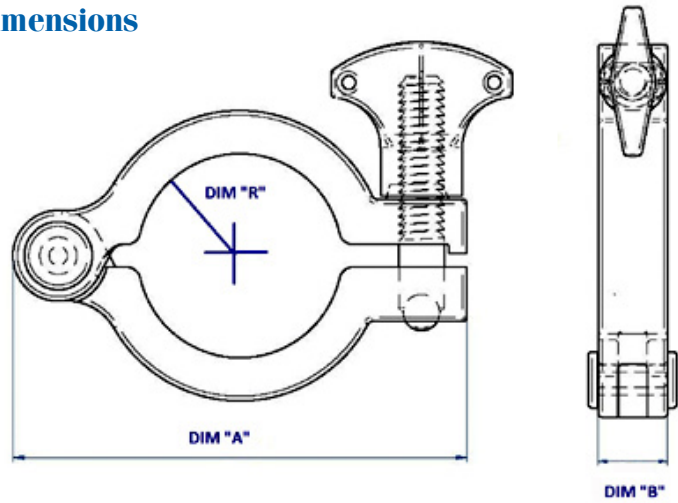
© Tuf-Flex is a registered trademark of Rubber Fab Technologies Group.

RUBBER FAB
technologies group

Rubber Fab Technologies Group
26 Brookfield Drive • Sparta, NJ 07871
phone: 973-579-2959 • fax: 973-579-7275
email: sales@rubberfab.com

www.rubberfab.com

Dimensions



| SIZE | A DIM. | B DIM. | R DIM. | MAX PS.I. |
|--------|--------|--------|--------|-----------|
| 1/2" | 2.17" | .749" | 0.394" | 150 |
| 3/4" | 2.17" | .749" | 0.394" | 150 |
| 1" | 3.94" | .749" | 0.886" | 150 |
| 1-1/2" | 3.94" | .749" | 0.886" | 150 |
| 2" | 4.64" | .749" | 1.26" | 150 |
| 2-1/2" | 5.20" | .749" | 1.497" | 150 |
| 3" | 5.75" | .749" | 1.773" | 150 |
| 4" | 6.66" | .749" | 2.25" | 150 |

Rubber Fab Technologies Group
HOSE, FITTINGS AND ACCESSORIES

Silicone, Metal, FDA PVC, FDA Rubber, Smooth Bore PTFE, Smooth Bore FEP and Convuluted PTFE

Features:

- Fittings sizes available from 2/8" to 6"
- Heat trace number for traceability on all sanitary Tri-Clamp®
- Fittings are manufactured in 316L stainless steel
- Standard 1/8" surface finish on Tri-Clamp®
- Material test reports (MTRs) are available upon request
- Electroplating of fittings available
- Fittings available in non-metallic materials such as Acrylic/PVC
- Fittings available in special alloys include: Hastelloy C22 & C276, Alloy 20, Titanium and Inconel

Also Available:
Rubber Fab offers a full line of high purity gaskets. As a demonstration of our quality a set of compatible gaskets will be included with every hose order.

Hose Accessories • Molded Ends • Sight Gauges

RUBBER FAB
technologies group

www.rubberfab.com

For additional information or product literature, contact Rubber Fab at 973-579-2959 or visit us at www.rubberfab.com.

TUF-STEEL
A FULL LINE OF
HYGIENIC GASKETS

RUBBER FAB

DETECTOMERS
A FULL LINE OF X-RAY INSPECTION AND
RADIATION DETECTABLE PRODUCTS

RUBBER FAB

tuf-flex

Rubber Fab Technologies Group
TUF-FLEX
The World's Leader
in Teflon

RUBBER FAB

Rubber Fab Technologies Group
CONCENTRIC AND ECCENTRIC ORIFICE PLATES

RUBBER FAB

Rubber Fab Technologies Group
BIOLOGICAL INDICATOR GASKET

RUBBER FAB

Rubber Fab Technologies Group
COMPONENT PRODUCTS
Pumps, Valves, Filters
and Control Equipment

RUBBER FAB

Rubber Fab Technologies Group
PLATINUM SILICONE HYGIENIC SEALS

RUBBER FAB

Rubber Fab Technologies Group
SMART GASKET
Inspired by Thermocouples in Low System Applications

RUBBER FAB

Rubber Fab Technologies Group is a member of:

Distributed by:

