

# SELF-PRIMING CLOSE COUPLED PUMPS

Series: BSP15CCE  
7.5 HP / 3450 RPM  
Suction & Discharge: 3"  
Spherical solids handling: 3/4"



## SUCTION/DISCHARGE

3" NPT, female.

## LIQUID TEMPERATURE

**Continuous:** 160° F (71° C).

## INTERMEDIATE

Cast iron ASTM A-48, class 30.

## VOLUTE

Cast iron ASTM A-48, class 30.

## BODY

Cast iron ASTM A-48, class 30.

## BASE

Steel.

## IMPELLER

**Design:** open, trash type, dynamically balanced.

**Material:** cast iron ASTM A-48, class 30.

## SHAFT

1035 cold rolled steel.

## SHAFT SLEEVE

Bronze

## HARDWARE

Steel & stainless steel.

## SQUARE RING

Buna-N.

## PAINT

Air dry enamel, water based.

## SEAL

**Design:** mechanical, self lubrication.

**Material:** Ni-Resist stationary part, carbon ring seal and exclusion in the rotating part. Buna-N elastomer and stainless steel spring.

## CHECKVALVE

**Valve:** flap-neoprene

**Weight:** steel.

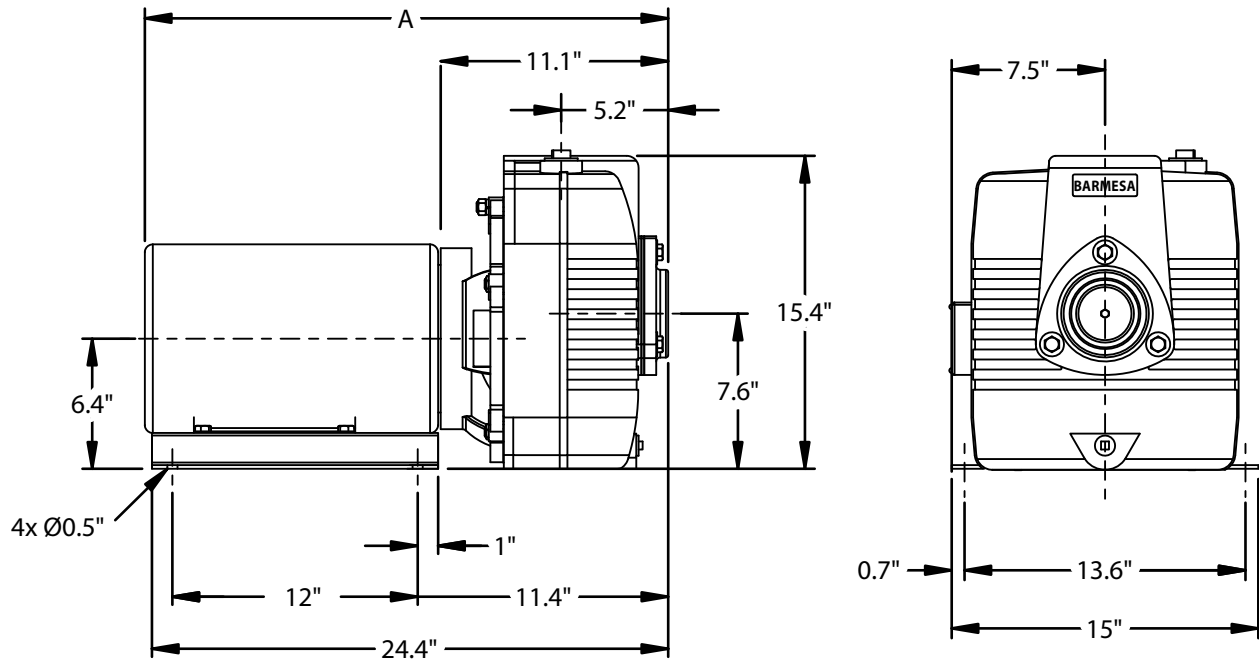
## MOTOR

**Open Drip Proof** or **TEFC**, C-face, footed, squirrel cage induction, class B or F insulation.

**Three phase:** 208-230/460 volts, 60 Hz, 3450 RPM.

## OPTIONAL

Bronze fitted volute and impeller.



MODEL	PART No.	HP	PHASE	VOLTS	ENCLOSURE	RPM (Nominal)	MAX AMPS	A (inches)	WEIGHT (pounds)
BSP15CCE3	-	7.5	3	230/460	ODP	3450	18.8-17.4/8.7	23.22	248
BSP15CCE3-T	-	7.5	3	230/460	TEFC	3450	18.5-17.4/8.7	26.28	251
BSP15CCE3-BF	-	7.5	3	230/460	ODP	3450	18.8-17.4/8.7	23.22	248
BSP15CCE3-TBF	-	7.5	3	230/460	TEFC	3450	18.5-17.4/8.7	26.28	251

T = totally enclosed

BF = bronze fitted

TB = totally enclosed bronze fitted

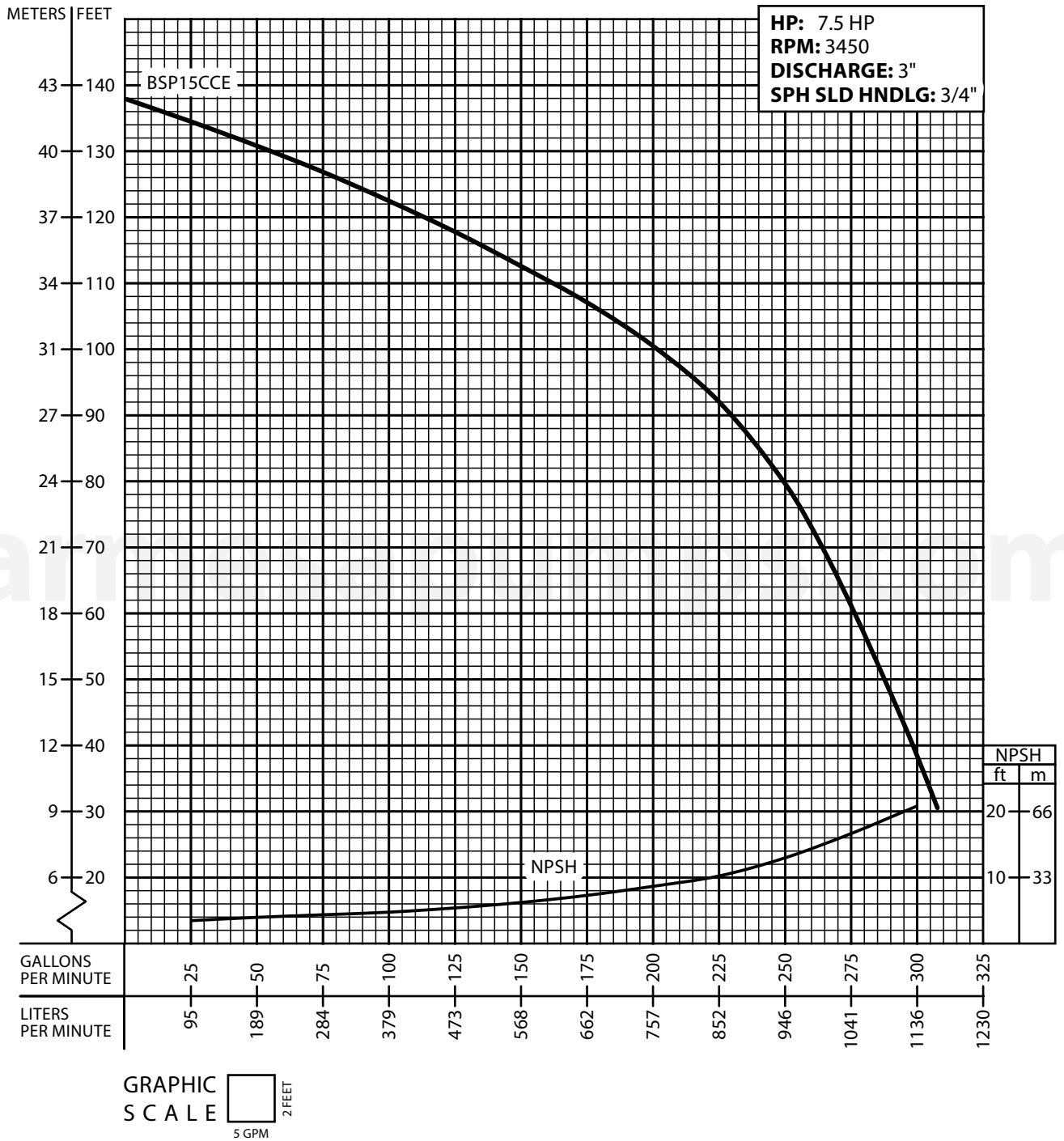
\* Overall length of unit and amps is subject to the motor manufacture.

barmesapumps.com



# PERFORMANCE CURVE

Self-Priming Close  
Coupled Pump  
Series: **BSP15CCE**



Testing is performed with water specific gravity of 1.0 @ 68° F (20° C); other fluids may vary performance.