

8/10/13 kVA

GUARDIAN® SERIES Residential Standby Generators Air-Cooled Gas Engine

INCLUDES:

- True Power™ Electrical Technology
- Two Line LCD Multilingual Digital Evolution™ Controller (English/Spanish/French/Portuguese)
- Electronic Governor
- External Main Circuit Breaker, System Status & Maintenance Interval LED Indicators
- Sound Attenuated Enclosure
- Flexible Fuel Line Connector
- Composite Mounting Pad
- Natural Gas or LP Gas Operation
- 3 Year Limited/1000 Hour Warranty
- Compatible with RTSI Transfer Switches Only

Standby Power Rating

Model 006269-0 (Steel - Bisque) - 8 kVA 50 Hz
Model 006270-0 (Steel - Bisque) - 10 kVA 50 Hz
Model 006271-0 (Steel - Bisque) - 13 kVA 50 Hz



FEATURES

- **INNOVATIVE DESIGN & PROTOTYPE TESTING** are key components of Generac's success in "IMPROVING POWER BY DESIGN." But it doesn't stop there. Total commitment to component testing, reliability testing, environmental testing, destruction and life testing, allows you to choose Generac with the confidence that these systems will provide superior performance.
- **TEST CRITERIA:**
 - ✓ PROTOTYPE TESTED
 - ✓ MOTOR STARTING ABILITY
 - ✓ SYSTEM TORSIONAL TESTED
- **SOLID-STATE, FREQUENCY COMPENSATED VOLTAGE REGULATION:** This state-of-the-art power maximizing regulation system is standard on all Generac models. It provides optimized FAST RESPONSE to changing load conditions and MAXIMUM MOTOR STARTING CAPABILITY by electronically torque-matching the surge loads to the engine.
- **SINGLE SOURCE SERVICE RESPONSE** from Generac's dealer network provides parts and service know-how for the entire unit, from the engine to the smallest electronic component.

8/10/13 kVA

Engine

- Generac (OHVI) design
Maximizes engine “breathing” for increased fuel efficiency. Plateau honed cylinder walls and plasma moly rings helps the engine run cooler, reducing oil consumption resulting in longer engine life.
- “Spiny-lok” cast iron cylinder walls
Rigid construction and added durability provide long engine life.
- Electronic ignition/spark advance
These features combine to assure smooth, quick starting every time.
- Full pressure lubrication system
Pressurized lubrication to all vital bearings means better performance, less maintenance and longer engine life. Now featuring up to a 2 year/200 hour oil change interval.
- Low oil pressure shutdown system
Shutdown protection prevents catastrophic engine damage due to low oil.
- High temperature shutdown
Prevents damage due to overheating.

Generator

- Revolving field
Allows for a smaller, light weight unit that operates 25% more efficiently than a revolving armature generator.
- Skewed stator
Produces a smooth output waveform for compatibility with electronic equipment.
- Displaced phase excitation
Maximizes motor starting capability.
- True Power Technology
Less than 5% total harmonic distortion (THD)
- Automatic voltage regulation
Regulates the output voltage to $\pm 1\%$ prevents damaging voltage spikes.

Evolution™ Controls

- Auto/Manual/Off illuminated buttons
Selects the operating mode and provides easy, at-a-glance status indication in any condition.
- Sealed, raised buttons
Smooth, weather-resistant user interface for programming and operations.
- Utility voltage sensing
Constantly monitors utility voltage, setpoints 60% dropout, 80% pick-up, of standard voltage.
- Utility interrupt delay
Prevents nuisance start-ups of the engine, adjustable 2-1500 seconds from the factory default setting of 5 seconds by a qualified dealer.
- Engine warm-up
Ensures engine is ready to assume the load, setpoint approximately 5 seconds.
- Engine cool-down
Allows engine to cool prior to shutdown, setpoint approximately 1 minute.
- Programmable seven day exerciser
Operates engine to prevent oil seal drying and damage between power outages by running the generator for 12 minutes every week.
- Smart battery charger
Delivers charge to the battery only when needed at varying rates depending on outdoor air temperature.
- Main line circuit breaker
Protects generator from overload.
- Electronic governor
Maintains constant 50 Hz frequency.

Unit

- SAE weather protective enclosure
Sound attenuated enclosure ensures quiet operation and protection against mother nature, withstanding winds up to 150mph. Hinged key locking roof panel for security. Lift-out front for easy access to all routine maintenance items. Electrostatically applied textured epoxy paint for added durability.
- Enclosed critical grade muffler
Quiet, critical grade muffler is mounted inside the unit to prevent injuries.
- Small, compact, attractive
Makes for an easy, eye appealing installation.

Installation System

- 1 ft (305 mm) flexible fuel line connector
Easy installation.
- Composite mounting pad

8/10/13 kVA

Generator

| Model | 006269-0 (8 kVA) | 006270-0 (10 kVA) | 006271-0 (13 kVA) |
|--|---|-------------------|-------------------|
| Rated Maximum Continuous Power Capacity (LP) | 8,000 VA* | 10,000 VA* | 13,000 VA* |
| Rated Maximum Continuous Power Capacity (NG) | 7,000 VA** | 10,000 VA** | 13,000 VA** |
| Rated Voltage | 220 | 220 | 220 |
| Rated Maximum Continuous Load Current – 220 Volts, Single Phase (LP/NG) | 36.4/31.8 | 45.5/45.5 | 59/59 |
| Main Line Circuit Breaker | 40 Amp | 50 Amp | 63 Amp |
| Phase | 1 | 1 | 1 |
| Number of Rotor Poles | 2 | 2 | 2 |
| Rated AC Frequency | 50 Hz | 50 Hz | 50 Hz |
| Power Factor | 1 | 1 | 1 |
| Battery Requirement (not included) | Group 26R, 12 Volts and 525 CCA Minimum | | |
| Unit Weight (lb/kg) | 387/175.4 | 435/197.3 | 471/213.6 |
| Dimensions (L x W x H) in/mm | 48 x 25 x 29/1218 x 638 x 732 | | |
| Sound output in dB(A) at 23 ft (7 m) with generator operating at normal load** | 60 | 60 | 60 |

Engine

| Type of Engine | GENERAC OHVI V-TWIN | GENERAC OHVI V-TWIN | GENERAC OHVI V-TWIN |
|-------------------------------|---|------------------------------|------------------------------|
| Number of Cylinders | 2 | 2 | 2 |
| Displacement | 530 cc | 992 cc | 992 cc |
| Cylinder Block | Aluminum w/ Cast Iron Sleeve | Aluminum w/ Cast Iron Sleeve | Aluminum w/ Cast Iron Sleeve |
| Valve Arrangement | Overhead Valve | Overhead Valve | Overhead Valve |
| Ignition System | Solid-state w/ Magneto | Solid-state w/ Magneto | Solid-state w/ Magneto |
| Governor System | Electronic | Electronic | Electronic |
| Compression Ratio | 9.5:1 | 9.5:1 | 9.5:1 |
| Starter | 12 Vdc | 12 Vdc | 12 Vdc |
| Oil Capacity Including Filter | 1.7 qt/1.6 L | 1.9 qt/1.8 L | 1.9 qt/1.8 L |
| Operating rpm | 3,000 | 3,000 | 3,000 |
| Fuel Consumption | | | |
| Natural Gas | ft ³ /hr. (m ³ /hr) | | |
| | 1/2 Load | 83 (2.35) | 124 (3.51) |
| | Full Load | 138 (3.91) | 195 (5.52) |
| Liquid Propane | ft ³ /hr (gal/hr) [l/hr] | | |
| | 1/2 Load | 32.8 (0.90) [3.41] | 42.8 (1.18) [4.45] |
| | Full Load | 55.2 (1.52) [5.74] | 70 (1.92) [7.28] |

Note: **Fuel pipe must be sized for full load.** Required fuel pressure to generator fuel inlet at all load ranges - 3.5-7" water column (7-13 mm mercury) for natural gas, 10-12" water column (19-22 mm mercury) for LP gas.

Outputs are based upon values @ 1000 Btu per cubic feet with NG and 2500 Btu per cubic feet with LP

@ 37.26 Megajoules per cubic meter with NG and 93.15 Megajoules per cubic meter with LP

Controls

| | |
|---|--|
| 2-Line Plain Text Multilingual LCD Display | Simple user interface for ease of operation. |
| Mode Buttons: | Automatic Start on Utility failure. 7 day exerciser. |
| Manual | Start with starter control, unit stays on. If utility fails, transfer to load takes place. |
| Off | Stops unit. Power is removed. Control and charger still operate. |
| Ready to Run/Maintenance Messages | Standard |
| Engine Run Hours Indication | Standard |
| Programmable start delay between 2-1500 seconds | Standard |
| Utility Voltage Loss/Return to Utility Adjustable | From 140-156 V/175-198 V |
| Future Set Capable Exerciser/Exercise Set Error Warning | Standard |
| Run/Alarm/Maintenance Logs | 50 Events Each |
| Engine Start Sequence | Cyclic cranking: 16 sec on, 7 rest (90 sec maximum duration). |
| Starter Lock-out | Starter cannot re-engage until 5 sec after engine has stopped. |
| Smart Battery Charger | Standard |
| Charger Fault/Missing AC Warning | Standard |
| Low Battery/Battery Problem Protection and Battery Condition Indication | Standard |
| Automatic Voltage Regulation with Over and Under Voltage Protection | Standard |
| Under-Frequency/Overload/Stepper Overcurrent Protection | Standard |
| Safety Fused/Fuse Problem Protection | Standard |
| Automatic Low Oil Pressure/High Oil Temperature Shutdown | Standard |
| Overcrank/Overspeed/rpm Sense Loss Shutdown | Standard |
| High Engine Temperature Shutdown | Standard |
| Internal Fault/Incorrect Wiring Protection | Standard |
| Common External Fault Capability | Standard |
| Field Upgradable Firmware | Standard |

**Sound levels are taken from the front of the generator. Sound levels taken from other sides of the generator may be higher depending on installation parameters. Rating definitions - Standby: Applicable for supplying emergency power for the duration of the utility power outage. No overload capability is available for this rating. (All ratings in accordance with BS5514, ISO3046, DIN6271 and AS/NZS CISPR 12:2009). * Maximum wattage and current are subject to and limited by such factors as fuel Btu content, ambient temperature, altitude, engine power and condition, etc. Maximum power decreases about 3.5 percent for each 1,000 (304.8 meters) feet above sea level; and also will decrease about 1 percent for each 6 °C (10 °F) above 16 °C (60 °F).

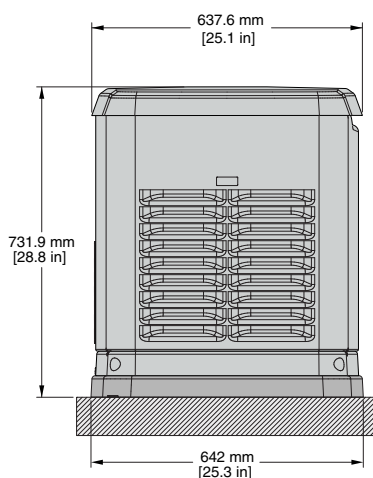
8/10/13 kVA

available accessories

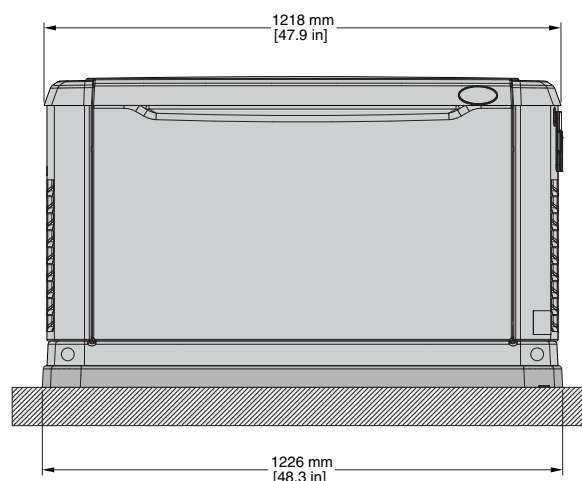
| Model # | Product | Description |
|--|---------------------------|---|
| 006212-0 | Cold Weather Kit | If the temperature regularly falls below 32 °F (0 °C), install a cold weather kit to maintain optimal battery and oil temperatures. Kit consists of a battery warmer and oil filter heater with built-in thermostats. |
| 005839-0 | Fascia Base Wrap Kit | The fascia base wrap snaps together around the bottom the new air-cooled generators. This offers a sleek, contoured appearance as well as offering protection from rodents and insects by covering the lifting holes located in the base. |
| 005703-0 | Paint Kit | If the generator enclosure is scratched or damaged, it is important to touch-up the paint to protect from future corrosion. The paint kit includes the necessary paint to properly maintain or touch-up a generator enclosure. |
| 006483-0 - 8 kVA 006484-0 - 10 & 13 kVA | Scheduled Maintenance Kit | Generac's scheduled maintenance kits provide all the hardware necessary to perform complete routine maintenance on a Generac automatic standby generator. |

dimensions & UPCs

Dimensions shown are approximate. Refer to installation manual for exact dimensions. DO NOT USE THESE DIMENSIONS FOR INSTALLATION PURPOSES.



LEFT SIDE VIEW



FRONT VIEW

| Model | UPC |
|----------|--------------|
| 006269-0 | 696471062694 |
| 006270-0 | 696471062700 |
| 006271-0 | 696471062717 |