



2016 Kestrel Stage Series Product Brochure

The Kestrel Stage Series is a portable, free standing electric screen. It is ideal for Rental & Staging or other commercial (Pro AV) applications where a mobile projection screen would be required.



Member
infoComm
INTERNATIONAL

Member
CEDIA
CUSTOM
ELECTRONIC
DESIGN &
INSTALLATION
ASSOCIATION

Member



Kestrel Stage Series

The Kestrel Stage Series is a portable, free standing electric screen. It is ideal for Rental & Staging or other commercial (Pro AV) applications where a mobile projection screen would be required.



Screen Material

- GREENGUARD® Certified MaxWhite™ FG with 1.1 Gain
- 180° wide viewing angle
- Border masking frames the projection surface
- Material has black-backing
- 4K Ultra HD and Active 3D Ready
- Available in various diagonal sizes and aspect ratios
- Flame Resistant: Complies with NFPA 701 Standards

Control System

- In-line UP/STOP/DOWN control switch
- IR/RF remote control kit
- Standard three prong power connection
- Tubular motor allows swift operation with a superior weight tolerance and operational lifespan

Design and Installation

- Integrated stage case
- Wheeled-design includes handles on each side for easy transport & handling
- Black drape (skirt) included for enhanced aesthetics
- Detachable wheeled flight-case with internal storage shelves
- Screen assembly attaches to the flight-case halves when set up for video mode
- Wheel locking mechanisms

Quality and Reliability

- Rises and lowers by our motorized precision "scissor-backed" cross spring risers
- 2-year warranty
- 3-year warranty for ENR-G (Educational, Non-profit, Religious or Government/Military) - US only



Kestrel Stage Series

Model	Screen Diag. & Aspect Ratio	View Height (in)	View Width (in)	View Height (cm)	View Width (cm)	N.W. (lbs.)	G.W. (lbs.)	N.W. (Kgs)	G.W. (Kgs)	Packaging Dimensions (LxHxW)	Gain	Screen Material	Black masking Rise (in)	IR/RF remote control package included
FE110V-NTC	110" (4:3)	65.3	87.2	124.7	221.5	59.9	80.2	27.3	36.4	97.24"x11.02"x7.87"	1.1	MaxWhite™ FG	Yes	
FE110V-TC	110" (4:3)	65.3	87.2	124.7	221.5	141.8	178.8	64.4	81.3	97.24"x11.02"x7.87"	1.1	MaxWhite™ FG	Yes	
						1.0	1.0	2.5	2.5	14.17"x1.97"x8.66"				ZFE-RT
FE131V-NTC	131" (4:3)	78.5	104.6	199.4	265.7	92.9	110.7	42.2	50.3	164.17"x12.60"x5.90"	1.1	MaxWhite™ FG	Yes	
FE131V-TC	131" (4:3)	78.5	104.6	199.4	265.7	174.7	209.3	79.4	95.2	164.17"x12.60"x5.90"	1.1	MaxWhite™ FG	Yes	
						1.0	1.0	2.5	2.5	14.17"x1.97"x8.66"				ZFE-RT
FE100H-NTC	100" (16:9)	49.1	87.2	124.7	221.5	68.6	79.8	31.1	36.2	97.64"x7.8"x11"	1.1	MaxWhite™ FG	Yes	
FE100H-TC	100" (16:9)	49.1	87.2	124.7	221.5	152.8	181.5	69.3	82.3	97.64"x7.8"x11"	1.1	MaxWhite™ FG	Yes	
						1.0	1.0	2.5	2.5	14.17"x1.97"x8.66"				ZFE-RT
FE120H-NTC	120" (16:9)	58.9	104.6	149.6	265.7	92.6	106.8	42.1	48.5	118.50"x5.9"x12.6"	1.1	MaxWhite™ FG	Yes	
FE120H-TC	120" (16:9)	58.9	104.6	149.6	265.7	166.9	207.7	75.9	94.4	118.50"x5.9"x12.6"	1.1	MaxWhite™ FG	Yes	
						1.0	1.0	2.5	2.5	14.17"x1.97"x8.66"				ZFE-RT
FE150H-NTC	150" (16:9)	73.0	131.0	185.4	332.7	115.0	136.0	52.3	61.8	142.52"x9.84"x11.02"	1.1	MaxWhite™ FG	Yes	
FE150H-TC	150" (16:9)	73.0	131.0	185.4	332.7	188.1	230.5	85.5	104.8	142.52"x9.84"x11.02"	1.1	MaxWhite™ FG	Yes	
						1.0	1.0	2.5	2.5	14.17"x1.97"x8.66"				ZFE-RT
FE125X-NTC	125" (16:10)	66.0	106.0	167.6	269.2	90.7	108.1	41.2	49.1	118.1"x9.45"x11.02"	1.1	MaxWhite™ FG	Yes	
FE125X-TC	125" (16:10)	66.0	106.0	167.6	269.2	163.8	202.6	74.4	92.1	118.1"x9.45"x11.02"	1.1	MaxWhite™ FG	Yes	
						1.0	1.0	2.5	2.5	14.17"x1.97"x8.66"				ZFE-RT
FE154X-NTC	154" (16:10)	82.0	131.0	208.3	332.7	117.2	137.1	53.3	62.3	142.52"x9.84"x11.02"	1.1	MaxWhite™ FG	Yes	
FE154X-TC	154" (16:10)	82.0	131.0	208.3	332.7	190.3	231.6	86.5	105.3	142.52"x9.84"x11.02"	1.1	MaxWhite™ FG	Yes	
						1.0	1.0	2.5	2.5	14.17"x1.97"x8.66"				ZFE-RT

Kestrel Stage Dimensions Table

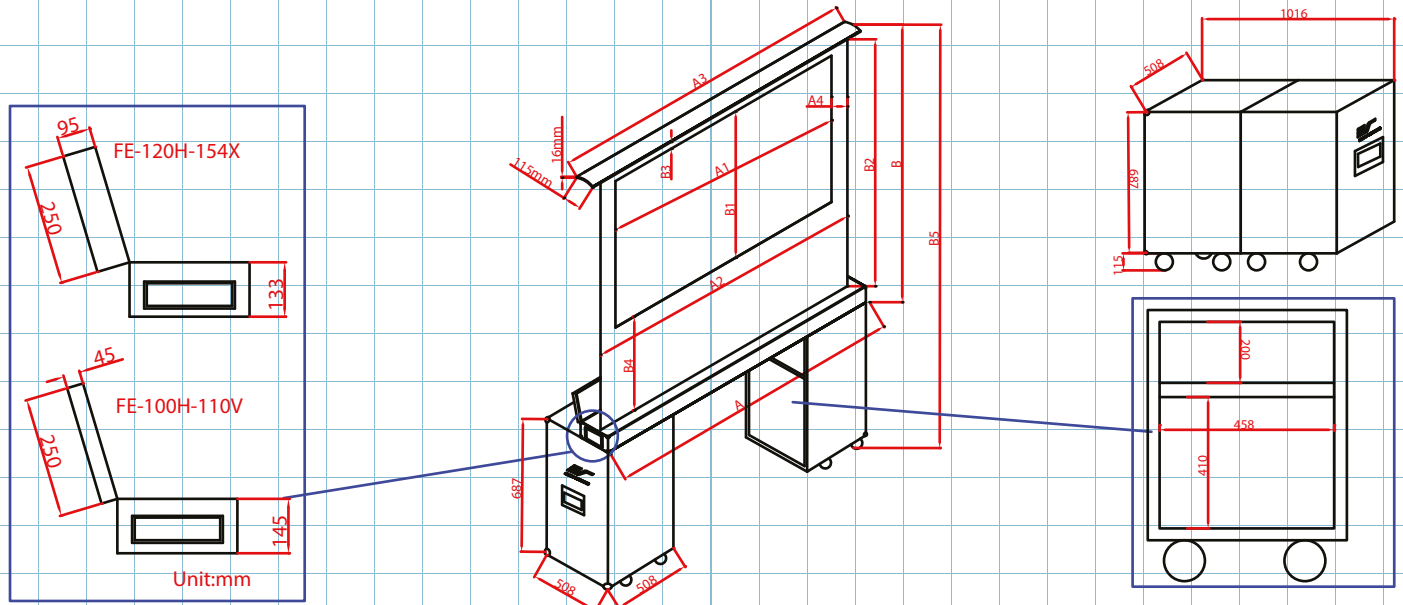
Model	Screen Diag. & Aspect Ratio	Overall Case Length (A)	View Width (A1)	Screen Width (A2)	Top Panel Length (A3)	L/R Masking Border (A4)	Overall Height (B)	View Height (B1)	Screen Height (B2)	Top Masking Border (B3)	Bottom Border (B4)	Overall Height w/ Travel Case (B5)
FE110V-TC	110" (4:3)	2405	2215	2314	2350	50	2319	1247	1798	60	490	3122
FE131V-TC	131" (4:3)	2885	2657	2756	2807	50	2299	1994	2172	60	119	3101
FE100H-TC	100" (16:9)	2410	2214	2314	2338	50	2201	1245	2040	60	735	3003
FE120H-TC	120" (16:9)	2883	2657	2757	2825	50	2198	1494	2049	60	495	3000
FE150H-TC	150" (16:9)	3550	3321	3421	3485	50	2564	1868	2415	60	487	3366
FE125X-TC	125" (16:10)	2921	2692	2792	2825	50	2355	1676	2230	60	493	3157
FE154X-TC	154" (16:10)	3550	3317	3417	3485	50	2639	2073	2510	60	377	3441

Unit: mm

Model	Screen Diag. & Aspect Ratio	Overall Case Length (A)	View Width (A1)	Screen Width (A2)	Top Panel Length (A3)	L/R Masking Border (A4)	Overall Height (B)	View Height (B1)	Screen Height (B2)	Top Masking Border (B3)	Bottom Border (B4)	Overall Height w/ Travel Case (B5)
FE110V-TC	110" (4:3)	94.7	87.2	91.1	92.5	2.0	91.3	65.3	86.9	2.4	19.3	122.9
FE131V-TC	131" (4:3)	113.6	104.6	108.5	110.5	2.0	90.5	78.5	85.5	2.4	4.7	122.1
FE100H-TC	100" (16:9)	94.9	87.1	91.1	92.0	2.0	86.6	49.0	80.3	2.4	28.9	118.2
FE120H-TC	120" (16:9)	113.5	104.6	108.5	111.2	2.0	86.6	58.8	80.7	2.4	19.5	118.1
FE150H-TC	150" (16:9)	139.8	130.7	134.7	137.2	2.0	101.0	73.5	95.1	2.4	19.2	132.5
FE125X-TC	125" (16:10)	115.0	106.0	109.9	111.2	2.0	92.7	66.0	87.8	2.4	19.4	124.3
FE154X-TC	154" (16:10)	139.8	130.6	134.5	137.2	2.0	103.1	81.6	98.8	2.4	14.8	135.5

Unit: inch

Note: Data Error ±1". The listed measurements are for general reference only. Please contact Elite Screens to verify product design and dimensions before attempting to integrate its products with any structural or furniture modification. Although a manufacturer may offer product advice, it may be taken or disregarded at the integrator's discretion. Elite Screens will not be held responsible or be otherwise liable for faulty installations.



Kestrel Stage Series Dimensions Table Without ATA Stage Case

Model	Screen Diag. & Aspect Ratio	Overall Case Length (A)	View Width (A1)	Screen Width (A2)	Top Panel Length (A3)	L/R Masking Border (A4)	Overall Height (B)	View Height (B1)	Screen Height (B2)	Top Masking Border (B3)	Bottom Border (B4)	Overall Height w/ Travel Case (B5)
FE110V-NTC	110" (4:3)	2883	2215	2756	2825	51	2200	1659	2050	61	495	N/A
FE131V-NTC	131" (4:3)	3551	2657	3421	3485	51	2565	1994	2416	61	488	N/A
FE100H-NTC	100"(16:9)	2405	2215	2314	2350	51	2319	1247	2207	61	490	N/A
FE120H-NTC	120"(16:9)	2885	2657	2756	2807	51	2299	1496	2172	61	119	N/A
FE150H-NTC	150"(16:9)	2411	3327	2314	2337	51	2200	1854	2040	61	734	N/A
FE125X-NTC	125"(16:10)	2921	2692	2792	2825	51	2355	1676	2230	61	493	N/A
FE154X-NTC	154" (16:10)	3551	3327	3417	3485	51	2619	2083	2510	61	376	N/A

Unit: mm

Model	Screen Diag. & Aspect Ratio	Overall Case Length (A)	View Width (A1)	Screen Width (A2)	Top Panel Length (A3)	L/R Masking Border (A4)	Overall Height (B)	View Height (B1)	Screen Height (B2)	Top Masking Border (B3)	Bottom Border (B4)	Overall Height w/ Travel Case (B5)
FE110V-NTC	110" (4:3)	113.5	87.2	108.5	111.2	2.0	86.6	65.3	80.7	2.4	19.5	N/A
FE131V-NTC	131" (4:3)	139.8	104.6	134.7	137.2	2.0	101.0	78.5	95.1	2.4	19.2	N/A
FE100H-NTC	100"(16:9)	94.7	87.2	91.1	92.5	2.0	91.3	49.1	86.9	2.4	19.3	N/A
FE120H-NTC	120"(16:9)	113.5	104.6	108.5	110.5	2.0	90.5	58.9	85.5	2.4	4.7	N/A
FE150H-NTC	150"(16:9)	94.9	131.0	91.1	92.0	2.0	86.6	73.0	80.3	2.4	28.9	N/A
FE125X-NTC	125"(16:10)	115.0	106.0	109.9	111.2	2.0	92.7	66.0	87.8	2.4	19.4	N/A
FE154X-NTC	154" (16:10)	139.8	131.0	134.5	137.2	2.0	103.1	82.0	98.8	2.4	14.8	N/A

Unit: inch