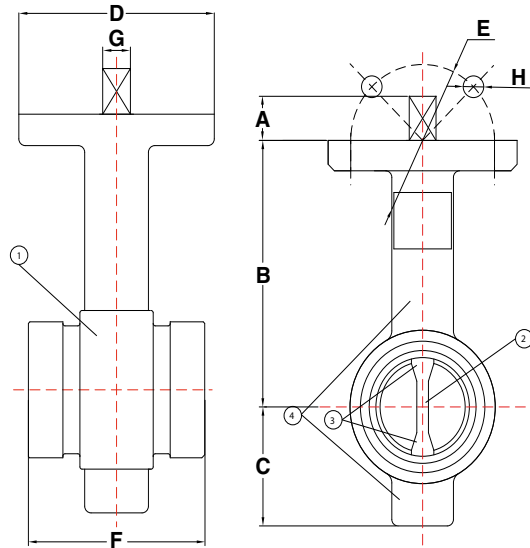


GROOVED END BUTTERFLY VALVE



- 300 psi
- Ductile iron body
- EPDM 200° F maximum working temperature
- NBR 180° F maximum working temperature
- 10-Position lever handle or gear operator
- Grooved ends
- Rubber encapsulated DI Disc



No.	Part	Materials Specification
1	Body	ASTM A-536 Ductile Iron
2	Disc	ASTM A-536 Ductile Iron with either EPDM or NBR Coating
3	Upper and Lower Shafts	ASTM A-276 Stainless Steel
4	O-Rings	NBR

Size IN	Part Number				A	B	C	D	E	F	G	H	Lever Weight	Gear Op Weight
	EPDM Lever	EPDM Gear	NBR Lever	NBR Gear	IN / mm	IN / mm	IN / mm	IN / mm	IN / mm	IN / mm	IN / mm	IN / mm	LB / kg	LB / kg
2	67BFVGEL020	-	67BFVGNL020	-	1.26 32.0	4.84 123.0	2.17 55.0	3.54 90.0	2.76 70.0	3.19 81.0	0.50 12.6	0.39 10.0	6.7 3.0	- -
2-1/2	67BFVGEL024	-	67BFVGNL024	-	1.26 32.0	5.00 127.0	2.64 67.0	3.54 90.0	2.76 70.0	3.81 96.8	0.50 12.6	0.39 10.0	7.5 3.4	- -
3	67BFVGEL030	-	67BFVGNL030	-	1.26 32.0	4.57 116.0	3.07 78.0	3.54 90.0	2.76 70.0	3.81 96.8	0.50 12.6	0.39 10.0	8.7 3.9	- -
4	67BFVGEL040	-	67BFVGNL040	-	1.26 32.0	5.59 142.0	3.58 91.0	3.54 90.0	2.76 70.0	4.56 115.8	0.62 15.7	0.39 10.0	12.2 5.5	- -
5	67BFVGEL050	-	67BFVGNL050	-	1.26 32.0	5.87 149.0	4.69 119.0	3.54 90.0	2.76 70.0	5.81 147.6	0.74 18.9	0.39 10.0	17.3 7.8	- -
6	67BFVGEL060	67BFVGE060	67BFVGNL060	67BFVGN060	1.26 32.0	6.61 168.0	5.31 135.0	3.54 90.0	2.76 70.0	5.81 147.6	0.74 18.9	0.39 10.0	17.3 12.3	41.0 18.4
8	67BFVGEL080	67BFVGE080	67BFVGNL080	67BFVGN080	1.57 40.0	7.95 202.0	6.30 160.0	4.92 125.0	4.01 102.0	5.25 133.4	0.87 22.2	0.47 12.0	32.5 14.6	46.5 20.9
10	-	67BFVGE100	-	67BFVGN100	1.57 40.0	9.00 228.6	7.80 198.0	4.92 125.0	4.01 102.0	6.25 158.8	0.92 23.5	0.47 12.0	- -	93.0 41.9
12	-	67BFVGE120	-	67BFVGN120	1.57 40.0	10.50 266.7	9.06 230.0	4.92 125.0	4.01 102.0	6.50 165.1	1.25 31.7	0.47 12.0	- -	111.0 49.9

USA 800-766-0076

Fax 323-890-4456

www.smithcooper.com

Los Angeles, CA

Chicago, IL

Atlanta, GA

Vancouver, WA

Houston, TX