

SELF-PRIMING CLOSE COUPLED PUMPS

Series: BSP20CCE
10 HP / 3450 RPM
Suction & Discharge: 3"
Spherical solids handling: 3/4"



SUCTION/DISCHARGE

3" NPT, female.

LIQUID TEMPERATURE

Continuous: 160° F (71° C).

INTERMEDIATE

Cast iron ASTM A-48, class 30.

VOLUTE

Cast iron ASTM A-48, class 30.

BODY

Cast iron ASTM A-48, class 30.

BASE

Steel.

IMPELLER

Design: open, trash type, dynamically balanced.

Material: cast iron ASTM A-48, class 30.

SHAFT

1035 cold rolled steel.

SHAFT SLEEVE

Bronze

HARDWARE

Steel & stainless steel.

SQUARE RING

Buna-N.

PAINT

Air dry enamel, water based.

SEAL

Design: mechanical, self lubrication.

Material: Ni-Resist stationary part, carbon ring seal and exclusion in the rotating part. Buna-N elastomer and stainless steel spring.

CHECKVALVE

Valve: flap-neoprene

Weight: steel.

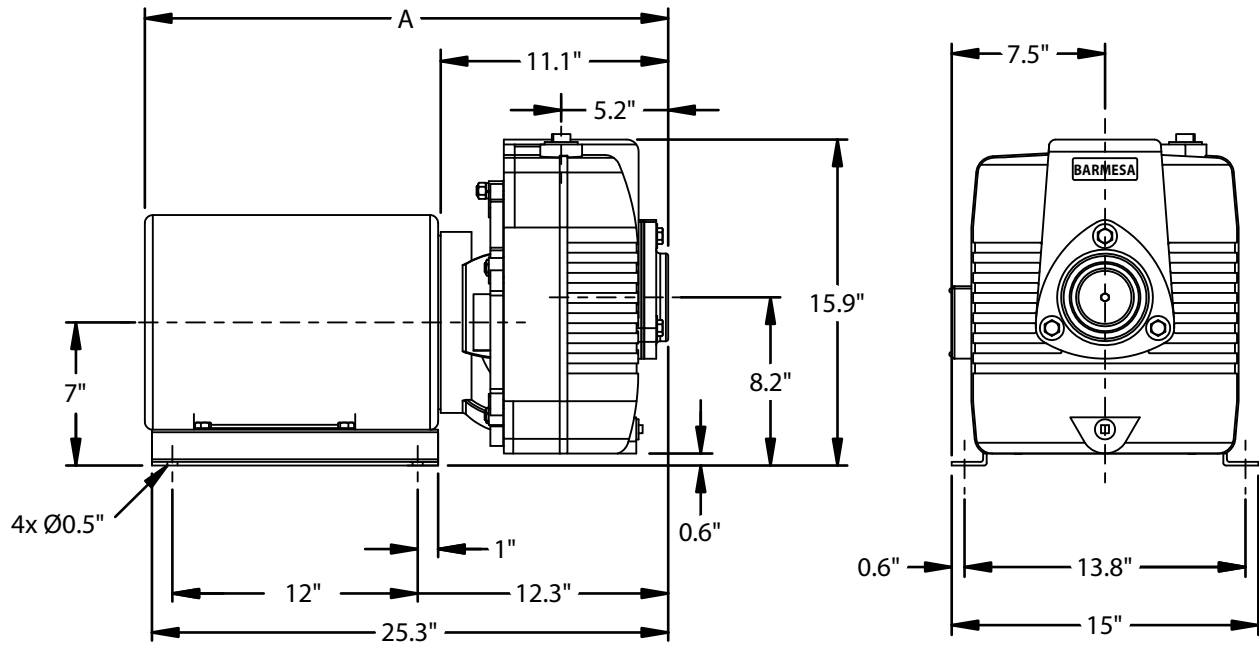
MOTOR

Open Drip Proof or **TEFC**, C-face, footed, squirrel cage induction, class B or F insulation.

Three phase: 208-230/460 volts, 60 Hz, 3450 RPM.

OPTIONAL

Bronze fitted volute and impeller.



MODEL	PART No.	HP	PHASE	VOLTS	ENCLOSURE	RPM (Nominal)	MAX AMPS	A (inches)	WEIGHT (pounds)
BSP20CCE3	-	10	3	230/460	ODP	3450	25.2-24/12	24.79	294
BSP20CCE3-T	-	10	3	230/460	TEFC	3450	25-23/11.5	26.36	301
BSP20CCE3-BF	-	10	3	230/460	ODP	3450	25.2-24/12	24.79	294
BSP20CCE3-TBF	-	10	3	230/460	TEFC	3450	25-23/11.5	26.36	301

T = totally enclosed

BF = bronze fitted

TB = totally enclosed bronze fitted

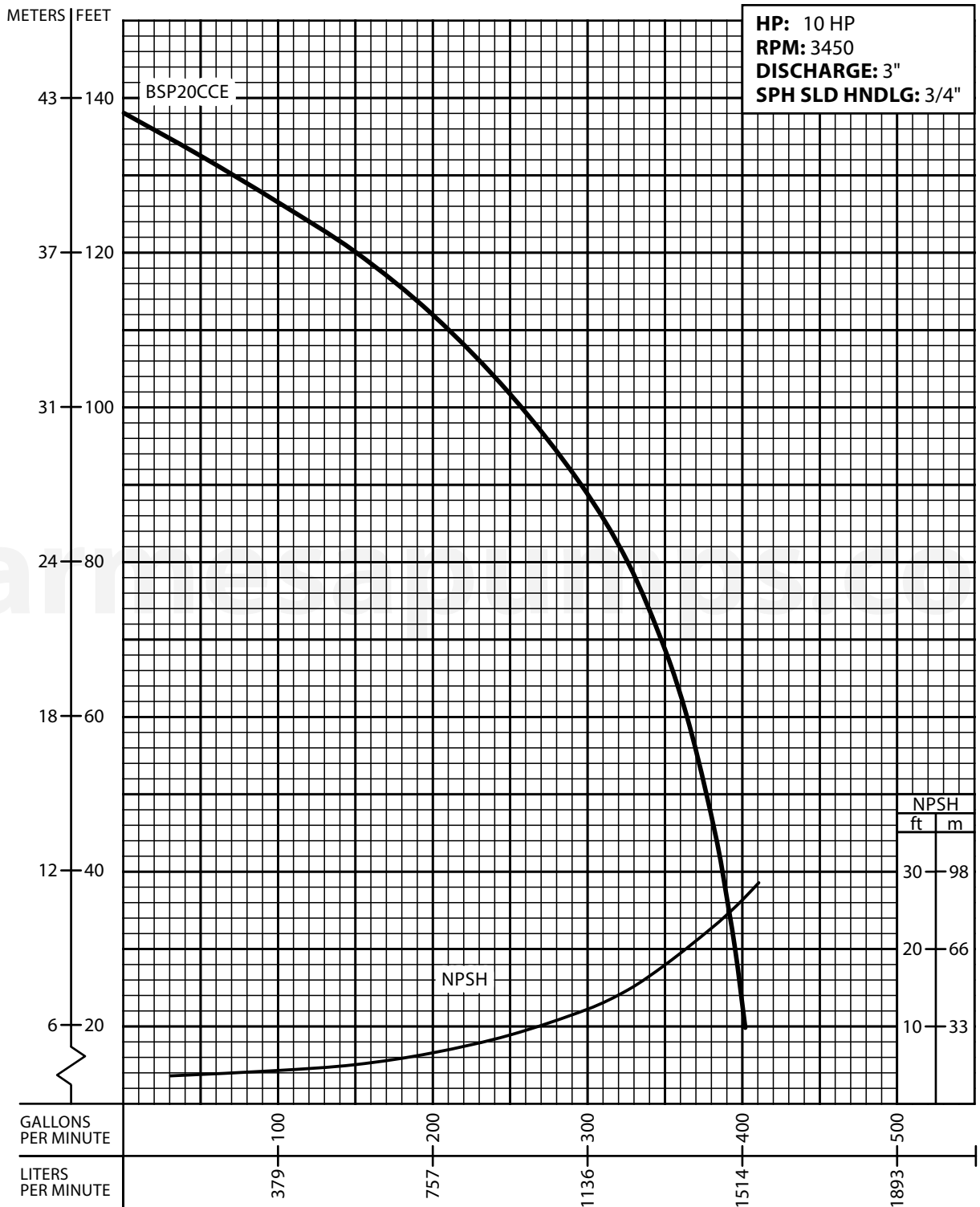
* Overall length of unit and amps is subject to the motor manufacture.

barmesapumps.com



PERFORMANCE CURVE

Self-Priming Close
Coupled Pump
Series: **BSP20CCE**



GRAPHIC SCALE 2 FEET
10 GPM

Testing is performed with water specific gravity of 1.0 @ 68° F (20° C); other fluids may vary performance.