

SUBMERSIBLE NON-CLOG SEWAGE PUMP

Series: 6BSE-HLDS
30-60 HP / 1750 RPM
Discharge: 6"
Spherical solids handling: 3"



DISCHARGE

6", 125 lb, flange horizontal.

LIQUID TEMPERATURE

104° F (40° C) continuous.

VOLUTE

Cast iron ASTM A-48 class 30.

WEARING RING

Bronze.

MOTOR HOUSING

Cast iron ASTM A-48 class 30.

SEAL PLATE

Cast iron ASTM A-48 class 30.

IMPELLER

Design: 3 vanes, closed, with vanes on back side.

Material: cast iron ASTM A-48 class 30.

SHAFT

416 series stainless steel.

SQUARE RINGS

Buna-N.

PAINT

Air dry enamel, water based.

DIAPHRAGM

Buna-N.

HARDWARE

300 series stainless steel.

SEAL

Design: double, mechanical, oil filled chamber.

Material: silicon carbide outboard seal, carbon ceramic inboard seal, Buna-N elastomer and stainless steel hardware.

CORD ENTRY

25 ft of neoprene cord 2/4 G, sealed against moisture.

BEARINGS

Upper: ball, single row, oil lubricated, for radial load.

Lower: ball, single row, oil lubricated, for radial and thrust load.

MOTOR

NEMA B, three phase, 208/230 & 460 volts, 60 Hz, 1750 RPM, oil filled. Requires overload protection to be included in control panel.

MOISTURE SENSOR

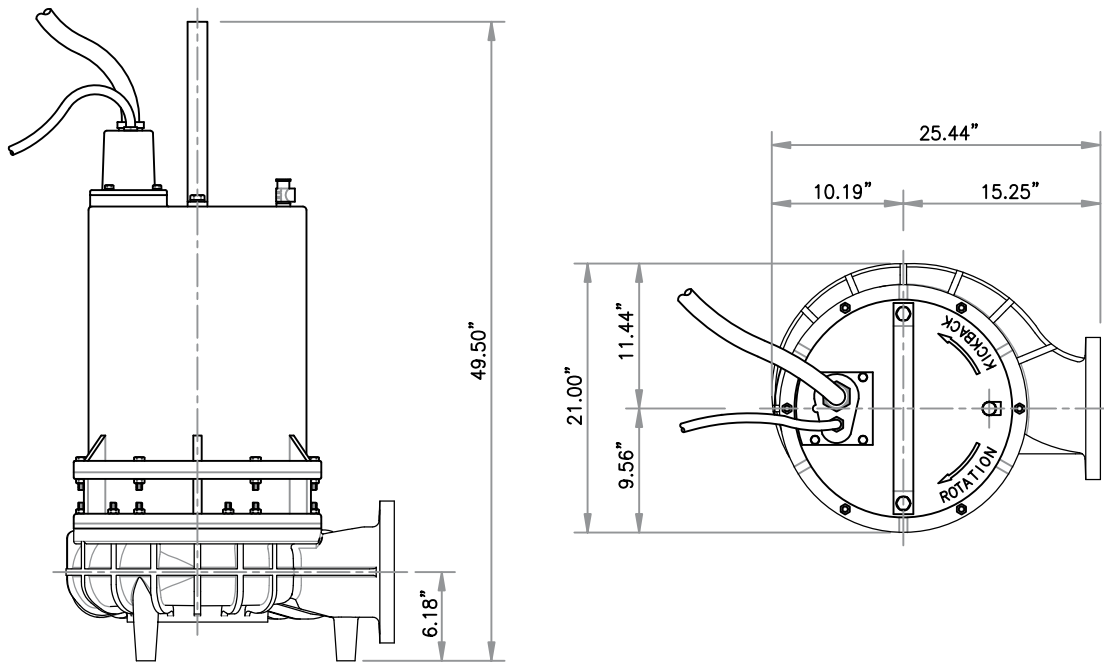
Normally open (N/O) included.

TEMPERATURE SENSOR

Normally closed (N/C) included.

OPTIONAL EQUIPMENT

Impeller trimming, additional cord, tungsten carbide seal, slide rail coupling (SRC-6).



MODEL	PART No.	HP	VOLTS	PHASE	RPM (Nominal)	MAX AMPS	LOCKED ROTOR AMPS	NEMA CODE	CORD SIZE	CORD TYPE	CORD O. D.	WEIGHT (pounds)
6BSE30034HLDS	62170301	30	208/230	3	1750	76	364	F	2/3	G	1.34"	957
6BSE30044HLDS	62170302	30	460	3	1750	38	182	F	2/3	G	1.34"	957
6BSE36034HLDS	62170303	36	208/230	3	1750	90	434	E	2/3	G	1.34"	963
6BSE36044HLDS	62170304	36	460	3	1750	45	217	F	2/3	G	1.34"	963
6BSE48044HLDS	62170305	48	460	3	1750	65	290	E	2/3	G	1.34"	974
6BSE60044HLDS	62170306	60	460	3	1750	78	363	E	2/3	G	1.34"	1005

The moisture cord and/or temperature cord is size 18/5, type SO, Ø0.485", for all models.

barmesapumps.com

IMPORTANT!

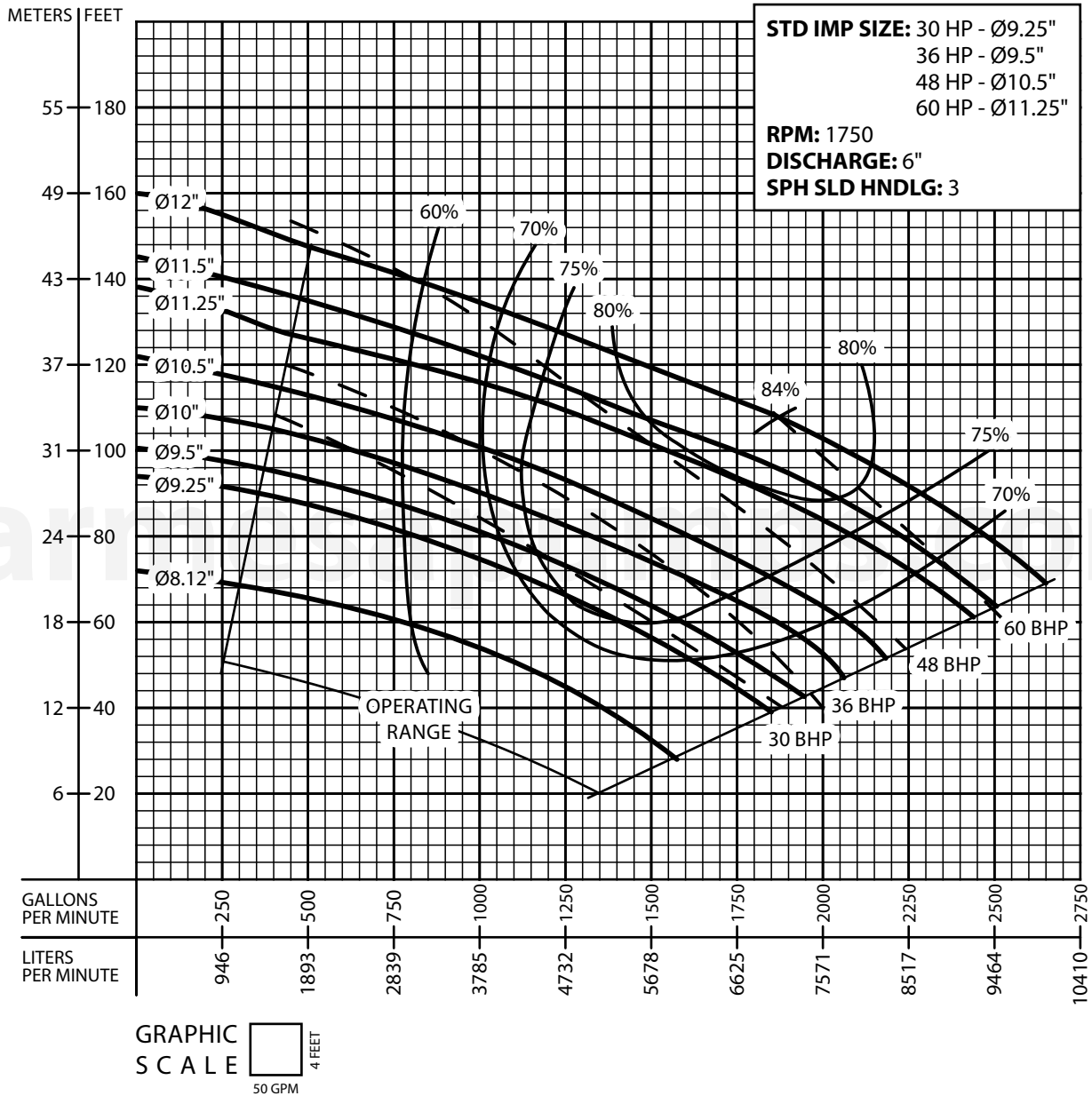
1. Never use this pump to handle explosive liquids.
2. This pump is not approved to be used in swimming pools, recreational installations or any application where human contact may be common.
3. Pump may be operated "dry" for extended periods without damage to motor and/or seals.
4. Testing is performed with water specific gravity of 1.0 @ 68° F (20° C); other fluids may vary performance.



PERFORMANCE CURVE

Submersible Non-Clog Sewage Pump

Series: 6BSE-HLDS



Testing is performed with water specific gravity of 1.0 @ 68° F (20° C); other fluids may vary performance.