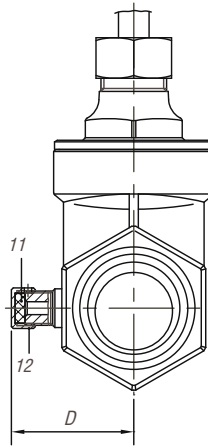
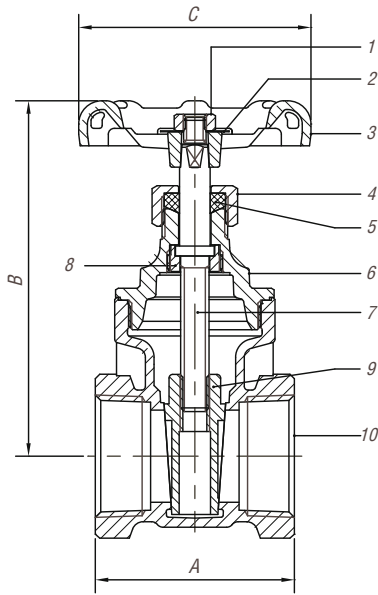


**BRASS GATE VALVE WITH DRAIN, THREADED**



- 200 lb. CWP
- Full port
- Cast brass
- Solid wedge disc
- Non-rising stem
- Certified to NSF/ANSI 61-8
- ISO 9001:2008 manufacturer



No.	Part	Material
1	Wheel Nut	Hot Rolled SAE 1010R
2	Name Plate	Aluminium
3	Hand-Wheel	Cast Iron
4	Packing Nut	Brass B16 C36000
5	Gland Packing	PTFE
6	Bonnet	Brass B584 C85710
7	Stem	Brass B16 C36000
8	Locknut	Brass B16 C36000
9	Disc	Brass B584 C85710
10	Body	Brass B584 C85710
11	Packing	NBR
12	Drain Cap	Brass B16 C36000

USA 800-766-0076

Fax 323-890-4456

www.smithcooper.com

Los Angeles, CA

Chicago, IL

Atlanta, GA

Vancouver, WA

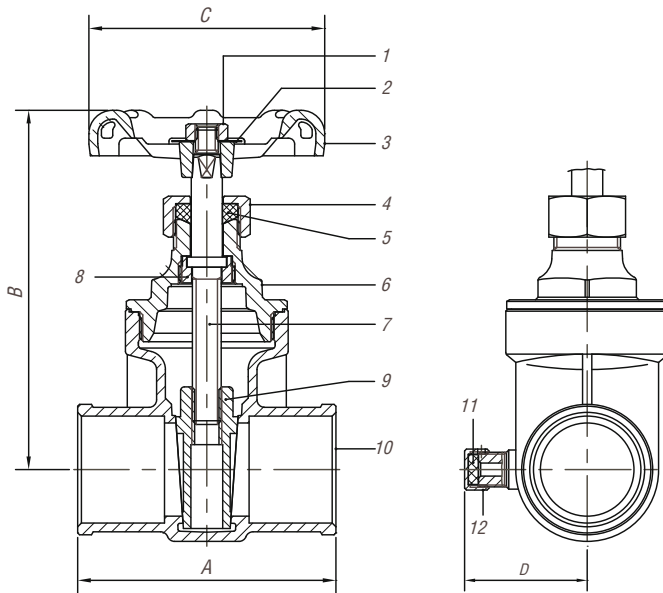
Houston, TX

Size IN	Part Number	Weight LB	A IN	B IN	C IN	D IN
1/2	01718103G	0.72	1.71	2.92	2.09	1.06
3/4	01718103I	1.18	1.81	3.31	3.31	1.10
1	01718103K	1.26	2.12	3.90	3.90	1.30

**BRASS GATE VALVE WITH DRAIN, SWEAT**



- 200 lb. CWP
- Full port
- Cast brass
- Solid wedge disc
- Non-rising stem
- Certified to NSF/ANSI 61-8
- ISO 9001:2008 manufacturer



No.	Part	Material
1	Wheel Nut	Hot Rolled SAE 1010R
2	Name Plate	Aluminium
3	Hand-Wheel	Cast Iron
4	Packing Nut	Brass B16 C36000
5	Gland Packing	PTFE
6	Bonnet	Brass B584 C85710
7	Stem	Brass B16 C36000
8	Locknut	Brass B16 C36000
9	Disc	Brass B584 C85710
10	Body	Brass B584 C85710
11	Packing	NBR
12	Drain Cap	Brass B16 C36000

USA 800-766-0076

Fax 323-890-4456

www.smithcooper.com

Los Angeles, CA

Chicago, IL

Atlanta, GA

Vancouver, WA

Houston, TX

Size IN	Part Number	Weight LB	A IN	B IN	C IN	D IN
1/2	01718104G	0.72	1.69	2.92	2.09	1.06
3/4	01718104I	1.18	2.32	3.31	3.31	1.10
1	01718104K	1.26	2.71	3.90	3.90	1.30