



2016 VMAX2 Product Brochure

The VMAX2 Series is the most complete cost effective Electric/Motorized front projection screen.



VMAX2 Series

The VMAX2 Series is the most complete cost effective Electric/Motorized front projection screen.

Scan for product



video



Screen Material:

- MaxWhite 1.1 Gain Screen Material is durable and easy to clean. Also available with MaxWhite FG.
- 180° wide viewing angle for commercial and residential presentations
- Black backed screen material eliminates light penetration for superior color reproduction
- Black masking enhances picture contrast

Casing and Installation:

- Durable metal casing
- Suitable for wall/ceiling installations
- Ships fully assembled with 3-prong power connection ready to Plug & Play
- Optional in ceiling trim kits and 6" or 12" brackets available

Motor System:

- Synchronized Motor is silent, energy efficient and enhances product longevity

Control System:

- Radio Frequency (RF) remote has 100' range
- Infrared remote and wall switch
- Internal IR/RF low voltage receivers
- 5-12 volt trigger synchronizes with projector
- Optional In-wall up/down switch and wireless 5-12V controls available

Quality and Reliability:

- Standard 2-year parts and labor warranty
- 3-year warranty for ENR-G (Educational, Non-profit, Religious or Government/Military) - US only
- ETL, FCC, CE, CB GOSTCE & ISO9001:2008 Certified

Certified

- GREENGUARD® and GREENGUARD® Gold Certified



Internal Infrared (IR) and Radio Frequency (RF) Receivers provide total control while maintaining the streamlined simplicity of this product.

For added durability and enhanced product appearance, the Elite VMAX2 Series uses an all-steel casing construction including the end caps.

The VMAX2 has various control options that work in conjunction with its Low Voltage Controller (LVC). A 5-12V trigger port uses a standard RJ45 connection and synchronizes the screen's drop and rise with your projector's power cycle. The 3-way wall switch can be installed as an external wall-mounted control or use the extended IR "Eye" receiver for recessed ceiling installations.



The VMAX2 Series comes with 2-30 inches of Top Black masking borders along with side and bottom masking to enhance the format of your presentation to avoid projection overshoot.

There are three ways to install the VMAX2 Electric Screen

1. Wall Mount (Flush directly to wall or with optional 6" L bracket)
2. Ceiling Suspended installation with our Optional In-Ceiling Trim Kit (Please refer to accessories list)

VMAX2 Series

Model	Screen Diag. & Aspect Ratio	View Height (in)	View Width (in)	View Height (cm)	View Width (cm)	N.W. (lbs.)	G.W. (lbs.)	N.W. (kgs)	G.W. (Kgs)	Packaging Dimensions (LxHxW)	Gain	Screen Material	Case Color
VMAX99UWS2	99"(1:1)	70.0	70.0	177.8	177.8	19.6	24.2	8.9	11.0	84.7"x5.5"x5.5"	1.1	MaxWhite FG	Black
VMAX99XWS2	99"(1:1)	70.0	70.0	177.8	177.8	19.6	24.2	8.9	11.0	84.7"x5.5"x5.5"	1.1	MaxWhite FG	White
VMAX113UWS2	113"(1:1)	79.9	79.9	202.9	202.9	22.6	27.7	10.3	12.6	96.1"x5.5"x5.5"	1.1	MaxWhite FG	Black
VMAX113XWS2	113"(1:1)	79.9	79.9	202.9	202.9	22.6	27.7	10.3	12.6	96.1"x5.5"x5.5"	1.1	MaxWhite FG	White
VMAX119UWS2	119"(1:1)	84.1	84.1	213.6	213.6	23.5	28.5	10.7	13.0	100"x5.5"x5.5"	1.1	MaxWhite FG	Black
VMAX119XWS2	119"(1:1)	84.1	84.1	213.6	213.6	23.5	28.5	10.7	13.0	100"x5.5"x5.5"	1.1	MaxWhite FG	White
VMAX136UWS2	136"(1:1)	96.0	96.0	243.8	243.8	27.5	33.2	12.5	15.1	111.6"x5.5"x5.5"	1.1	MaxWhite FG	Black
VMAX136XWS2	136"(1:1)	96.0	96.0	243.8	243.8	27.5	33.2	12.5	15.1	111.6"x5.5"x5.5"	1.1	MaxWhite FG	White
VMAX153UWS2	153"(1:1)	108.2	108.2	274.8	274.8	32.6	38.6	14.8	17.6	123.8"x5.5"x5.5"	1.1	MaxWhite FG	Black
VMAX153XWS2	153"(1:1)	108.2	108.2	274.8	274.8	32.6	38.6	14.8	17.6	123.8"x5.5"x5.5"	1.1	MaxWhite FG	White
VMAX170UWS2	170"(1:1)	120.0	120.0	304.8	304.8	43.7	56.2	19.8	25.6	135"x6.5"x6.5"	1.1	MaxWhite	Black
VMAX170XWS2	170"(1:1)	120.0	120.0	304.8	304.8	43.7	56.2	19.8	25.6	135"x6.5"x6.5"	1.1	MaxWhite	White
VMAX84UWV2	84"(4:3)	50.4	67.2	128.0	170.7	18.0	22.3	8.2	10.2	81.9"x5.5"x5.5"	1.1	MaxWhite FG	Black
VMAX84XWV2	84"(4:3)	50.4	67.2	128.0	170.7	18.0	22.3	8.2	10.2	81.9"x5.5"x5.5"	1.1	MaxWhite FG	White
VMAX84XWV2-E30	84"(4:3)	50.4	67.2	128.0	170.7	19.4	24.3	8.8	11.0	81.9"x5.5"x5.5"	1.1	MaxWhite FG	White
VMAX92UWV2	92"(4*3)	55.2	73.6	140.2	186.9	21.2	26.0	9.6	11.8	88.2"x5.5"x5.5"	1.1	MaxWhite FG	Black
VMAX92XWV2	92"(4*3)	55.2	73.6	140.2	186.9	21.2	26.0	9.6	11.8	88.2"x5.5"x5.5"	1.1	MaxWhite FG	White
VMAX100UWV2	100"(4:3)	60.0	80.0	152.4	203.2	22.1	27.2	10.0	12.4	95.8"x5.5"x5.5"	1.1	MaxWhite FG	Black
VMAX100XWV2	100"(4:3)	60.0	80.0	152.4	203.2	22.1	27.2	10.0	12.4	95.8"x5.5"x5.5"	1.1	MaxWhite FG	White
VMAX100XWV2-E24	100"(4:3)	60.0	80.0	152.4	203.2	22.1	27.3	10.1	12.4	95.8"x5.5"x5.5"	1.1	MaxWhite FG	White
VMAX120UWV2	120"(4:3)	72.0	96.0	182.9	243.8	26.5	34.2	12.0	15.6	111.8"x5.5"x5.5"	1.1	MaxWhite FG	Black
VMAX120XWV2	120"(4:3)	72.0	96.0	182.9	243.8	26.5	34.2	12.0	15.6	111.8"x5.5"x5.5"	1.1	MaxWhite FG	White
VMAX120XWV2-E24	120"(4:3)	72.0	96.0	182.9	243.8	26.5	34.2	12.1	15.6	111.8"x5.5"x5.5"	1.1	MaxWhite FG	White
VMAX135UWV2	135"(4:3)	81.0	108.0	205.7	274.3	30.9	36.4	14.1	16.6	123.6"x5.5"x5.5"	1.1	MaxWhite FG	Black
VMAX135XWV2	135"(4:3)	81.0	108.0	205.7	274.3	30.9	36.4	14.1	16.6	123.6"x5.5"x5.5"	1.1	MaxWhite FG	White
VMAX135XWV2-E24	135"(4:3)	81.0	108.0	205.7	274.3	30.9	36.4	14.1	16.6	123.6"x5.5"x5.5"	1.1	MaxWhite FG	White
VMAX150UWV2	150"(4:3)	90.0	120.0	228.6	304.8	34.2	41.3	15.5	18.8	135.4"x5.9"x6.3"	1.1	MaxWhite FG	Black
VMAX150XWV2	150"(4:3)	90.0	120.0	228.6	304.8	34.2	41.3	15.5	18.8	135.4"x5.9"x6.3"	1.1	MaxWhite FG	White
VMAX150XWV2-E24	150"(4:3)	90.0	120.0	228.6	304.8	35.3	41.5	16.0	18.8	135.4"x5.9"x6.3"	1.1	MaxWhite FG	White
VMAX165XWV2	165"(4:3)	99.0	132.0	251.5	335.3	46.9	57.9	21.3	26.3	146.5"x6.3"x6.5"	1.1	MaxWhite FG	White
VMAX200XWV2	200"(4:3)	120.0	160.0	304.8	406.4	117.8	128.9	53.6	58.6	180.71x8.66"x10.04"	1.1	MaxWhite	White
VMAX84UWH2	84"(16:9)	41.2	73.2	104.6	185.9	20.3	24.9	9.2	11.3	87.8"x5.5"x5.5"	1.1	MaxWhite FG	Black
VMAX84XWH2	84"(16:9)	41.2	73.2	104.6	185.9	20.3	24.9	9.2	11.3	87.8"x5.5"x5.5"	1.1	MaxWhite FG	White
VMAX84UWH2-E30	84"(16:9)	41.2	73.2	104.6	185.9	21.2	26.0	9.7	11.8	87.8"x5.5"x5.5"	1.1	MaxWhite FG	Black
VMAX92UWH2	92"(16:9)	45.1	80.2	114.6	203.7	22.1	25.4	10.1	11.6	95.8"x5.5"x5.5"	1.1	MaxWhite FG	Black
VMAX92UWH2-E30	92"(16:9)	45.1	80.2	114.6	203.7	22.1	25.4	10.1	11.6	95.8"x5.5"x5.5"	1.1	MaxWhite FG	Black
VMAX92XWH2	92"(16:9)	45.1	80.2	114.6	203.7	22.1	25.4	10.1	11.6	95.8"x5.5"x5.5"	1.1	MaxWhite FG	White
VMAX100UWH2	100"(16:9)	49.0	87.2	124.5	221.5	22.8	27.6	10.4	12.6	102.8"x5.5"x5.9"	1.1	MaxWhite FG	Black
VMAX100XWH2	100"(16:9)	49.0	87.2	124.5	221.5	22.8	27.6	10.4	12.6	102.8"x5.5"x5.9"	1.1	MaxWhite FG	White
VMAX106UWH2	106"(16:9)	52.0	92.4	132.1	234.7	23.4	28.7	10.6	13.1	108.3"x5.5"x5.9"	1.1	MaxWhite FG	Black
VMAX106UWH2-E24	106"(16:9)	52.0	92.4	132.1	234.7	23.4	28.7	10.6	13.1	108.3"x5.5"x5.9"	1.1	MaxWhite FG	Black
VMAX106XWH2-E24	106"(16:9)	52.0	92.4	132.1	234.7	23.4	28.7	10.6	13.1	108.3"x5.5"x5.9"	1.1	MaxWhite FG	White
VMAX110UWH2	110"(16:9)	54.0	96.0	137.2	243.8	23.6	30.0	10.7	13.6	111.8"x5.5"x5.9"	1.1	MaxWhite FG	Black
VMAX110UWH2-E24	110"(16:9)	54.0	96.0	137.2	243.8	23.6	30.0	10.7	13.6	111.8"x5.5"x5.9"	1.1	MaxWhite FG	Black
VMAX120UWH2	120"(16:9)	58.9	104.6	149.6	265.7	26.5	33.1	12.1	15.1	120.5"x5.5"x5.9"	1.1	MaxWhite FG	Black
VMAX120UWH2-E24	120"(16:9)	58.9	104.6	149.6	265.7	26.5	33.1	12.1	15.1	120.5"x5.5"x5.9"	1.1	MaxWhite FG	Black
VMAX120XWH2-E24	120"(16:9)	58.9	104.6	149.6	265.7	26.5	33.1	12.1	15.1	120.5"x5.5"x5.9"	1.1	MaxWhite FG	White
VMAX120XWH2	120"(16:9)	58.9	104.6	149.6	265.7	26.5	33.1	12.1	15.1	120.5"x5.5"x5.9"	1.1	MaxWhite FG	White
VMAX135UWH2	135"(16:9)	66.2	117.7	168.1	299.0	32.6	39.2	14.8	17.8	133.5"x5.5"x5.9"	1.1	MaxWhite FG	Black
VMAX135UWH2-E24	135"(16:9)	66.2	117.7	168.1	299.0	32.6	39.2	14.8	17.8	133.5"x5.5"x5.9"	1.1	MaxWhite FG	Black
VMAX135XWH2-E24	135"(16:9)	66.2	117.7	168.1	299.0	32.6	39.2	14.8	17.8	133.5"x5.5"x5.9"	1.1	MaxWhite FG	White
VMAX135XWH2	135"(16:9)	66.2	117.7	168.1	299.0	32.6	39.2	14.8	17.8	133.5"x5.5"x5.9"	1.1	MaxWhite FG	White
VMAX150UWH2	150"(16:9)	73.6	130.7	186.9	332.0	35.3	41.9	16.1	19.1	146.8"x5.5"x5.9"	1.1	MaxWhite FG	Black
VMAX150XWH2	150"(16:9)	73.6	130.7	186.9	332.0	35.3	41.9	16.1	19.1	146.8"x5.5"x5.9"	1.1	MaxWhite FG	White
VMAX150UWH2-E24	150"(16:9)	73.6	130.7	186.9	332.0	35.3	41.9	16.1	19.1	146.8"x5.5"x5.9"	1.1	MaxWhite FG	Black
VMAX166XWH2	166"(16:9)	81.0	144.0	205.7	365.8	47.9	59.9	21.8	27.2	159.0"x7.0"x7.0"	1.1	MaxWhite FG	White
VMAX200UWH2	200"(16:9)	98.0	174.3	248.9	442.7	111.3	138.3	50.6	62.9	195.10"x9.06"x10"	1.1	MaxWhite	Black
VMAX235UWH2	235"(16:9)	115.2	204.8	292.6	520.2	139.4	174.5	63.4	79.3	227.5"x9.70"x11.02"	1.1	MaxWhite	Black
VMAX106UWX2	106"(16:10)	56.2	90.0	142.7	228.6	21.1	27.3	9.6	12.4	106"x5.5"x5.9"	1.1	MaxWhite FG	Black
VMAX106UWX2-E24	106"(16:10)	56.2	90.0	142.7	228.6	23.2	28.1	10.6	12.8	106"x5.5"x5.9"	1.1	MaxWhite FG	Black
VMAX128UWX2	128"(16:10)	67.8	108.4	172.2	275.3	26.2	32.1	11.9	14.6	124"x5.4"x5.9"	1.1	MaxWhite FG	Black
VMAX128UWX2-E20	128"(16:10)	67.8	108.4	172.2	275.3	27.7	33.3	12.6	15.1	124"x5.4"x5.9"	1.1	MaxWhite FG	Black
VMAX142UWX2-E24	142"(16:10)	75.3	120.4	191.3	305.8	37.0	43.7	16.8	19.84	135.04"x5.51"x5.91"	1.1	MaxWhite FG	Black

VMAX2 Series Dimensions Table

Model	Screen Diag. & Aspect Ratio	Case Length (A)	View Width (A1)	Screen Width (A2)	A3	Weight Bar Length (A4)	Overall Height (B)	View Height (B1)	B2	B3	End cap Height (B4)	Top Leader (B5)	C1	End Cap Width (C2)	Power Cord Length (D)
VMAX99XWS2	99" (1:1)	2087	1778	1854	2032	1934	2007	1778	1914	60	93	76	17	80	1800
VMAX99UWS2	99" (1:1)	2087	1778	1854	2032	1934	2007	1778	1914	60	93	76	17	80	1800
VMAX113XWS2	113" (1:1)	2366	2030	2130	2311	2210	2259	2030	2166	60	93	76	17	80	1800
VMAX113UWS2	113" (1:1)	2366	2030	2130	2311	2210	2259	2030	2166	60	93	76	17	80	1800
VMAX119XWS2	119" (1:1)	2472	2137	2237	2417	2317	2367	2137	2274	60	93	76	17	80	1800
VMAX119UWS2	119" (1:1)	2472	2137	2237	2417	2317	2367	2137	2274	60	93	76	17	80	1800
VMAX136XWS2	136" (1:1)	2773	2443	2543	2718	2623	2672	2443	2579	60	93	76	17	80	1800
VMAX136UWS2	136" (1:1)	2773	2443	2543	2718	2623	2672	2443	2579	60	93	76	17	80	1800
VMAX153XWS2	153" (1:1)	3044	2748	2848	2989	2928	2989	2748	2884	60	105	76	17	88	2500
VMAX153UWS2	153" (1:1)	3044	2748	2848	2989	2928	2989	2748	2884	60	105	76	17	88	2500
VMAX170XWS2	170" (1:1)	3338	3053	3153	3283	3233	3295	3053	3190	60	105	76	17	88	2500
VMAX170UWS2	170" (1:1)	3338	3053	3153	3283	3233	3295	3053	3190	60	105	76	17	88	2500
VMAX84XWV2	84" (4:3)	2016	1707	1783	1961	1863	1636	1280	1543	60	93	203	17	80	1800
VMAX84UWV2	84" (4:3)	2016	1707	1783	1961	1863	1636	1280	1543	60	93	203	17	80	1800
VMAX84XWV2-E30	84" (4:3)	2016	1707	1783	1961	1863	2195	1280	2102	60	93	762	17	80	1800
VMAX92XWV2	92" (4:3)	2178	1869	1945	2123	2025	1682	1402	1589	60	93	127	17	80	1800
VMAX92UWV2	92" (4:3)	2178	1869	1945	2123	2025	1682	1402	1589	60	93	127	17	80	1800
VMAX100XWV2	100" (4:3)	2366	2032	2132	2311	2212	1804	1524	1711	60	93	127	17	80	1800
VMAX100UWV2	100" (4:3)	2366	2032	2132	2311	2212	1804	1524	1711	60	93	127	17	80	1800
VMAX100XWV2-E24	100" (4:3)	2366	2032	2132	2311	2212	2287	1524	2194	60	93	610	17	80	1800
VMAX120XWV2	120" (4:3)	2773	2438	2538	2718	2618	2083	1829	1990	60	93	102	17	80	1800
VMAX120UWV2	120" (4:3)	2773	2438	2538	2718	2618	2083	1829	1990	60	93	102	17	80	1800
VMAX120XWV2-E24	120" (4:3)	2773	2438	2538	2718	2618	2591	1829	2498	60	93	610	17	80	1800
VMAX135XWV2	135" (4:3)	3044	2743	2843	2989	2923	2324	2057	2219	60	105	102	17	88	2500
VMAX135UWV2	135" (4:3)	3044	2743	2843	2989	2923	2324	2057	2219	60	105	102	17	88	2500
VMAX135XWV2-E24	135" (4:3)	3044	2743	2843	2989	2923	2832	2057	2727	60	105	610	17	88	2500
VMAX150XWV2	150" (4:3)	3349	3048	3148	3294	3228	2553	2286	2448	60	105	102	17	88	2500
VMAX150UWV2	150" (4:3)	3349	3048	3148	3294	3228	2553	2286	2448	60	105	102	17	88	2500
VMAX165XWV2	165" (4:3)	3654	3353	3453	3599	3533	2781	2515	2676	60	105	102	17	88	2500
VMAX84XWH2	84" (16:9)	2168	1860	1936	2113	2016	1402	1046	1309	60	93	203	17	80	1800
VMAX84UWH2	84" (16:9)	2168	1860	1936	2113	2016	1402	1046	1309	60	93	203	17	80	1800
VMAX84XWH2-E30	84" (16:9)	2168	1860	1936	2113	2016	1961	1046	1868	60	93	762	17	80	1800
VMAX92XWH2	92" (16:9)	2366	2037	2137	2311	2212	1451	1146	1358	60	93	152	17	80	1800
VMAX92UWH2	92" (16:9)	2366	2037	2137	2311	2212	1451	1146	1358	60	93	152	17	80	1800
VMAX92XWH2-E30	92" (16:9)	2366	2037	2137	2311	2212	2061	1146	1968	60	93	762	17	80	1800
VMAX100XWH2	100" (16:9)	2544	2214	2314	2489	2394	1551	1245	1458	60	93	152	17	80	1800
VMAX100UWH2	100" (16:9)	2544	2214	2314	2489	2394	1551	1245	1458	60	93	152	17	80	1800
VMAX106UWH2	106" (16:9)	2681	2347	2447	2626	2527	1676	1320	1583	60	93	203	17	80	1800
VMAX106XWH2-E24	106" (16:9)	2681	2347	2447	2626	2527	2083	1320	1990	60	93	610	17	80	1800
VMAX106UWH2-E24	106" (16:9)	2681	2347	2447	2626	2527	2083	1320	1990	60	93	610	17	80	1800
VMAX110UWH2	110" (16:9)	2773	2435	2535	2718	2615	1726	1370	1633	60	93	203	17	80	1800
VMAX110UWH2-E24	110" (16:9)	2773	2435	2535	2718	2615	2132	1370	2039	60	93	610	17	80	1800
VMAX120XWH2	120" (16:9)	2991	2657	2757	2936	2837	1800	1494	1707	60	93	152	17	80	1800
VMAX120UWH2	120" (16:9)	2991	2657	2757	2936	2837	1800	1494	1707	60	93	152	17	80	1800
VMAX120XWH2-E24	120" (16:9)	2991	2657	2757	2936	2837	2257	1494	2164	60	93	610	17	80	1800
VMAX120UWH2-E24	120" (16:9)	2991	2657	2757	2936	2837	2257	1494	2164	60	93	610	17	80	1800
VMAX135XWH2	135" (16:9)	3289	2989	3089	3234	3169	2049	1681	1944	60	105	203	17	88	2500
VMAX135UWH2	135" (16:9)	3289	2989	3089	3234	3169	2049	1681	1944	60	105	203	17	88	2500
VMAX135XWH2-E24	135" (16:9)	3289	2989	3089	3234	3169	2456	1681	2351	60	105	610	17	88	2500
VMAX135UWH2-E24	135" (16:9)	3289	2989	3089	3234	3169	2456	1681	2351	60	105	610	17	88	2500
VMAX150XWH2	150" (16:9)	3622	3321	3421	3567	3501	2135	1868	2030	60	105	102	17	88	2500
VMAX150UWH2	150" (16:9)	3622	3321	3421	3567	3501	2135	1868	2030	60	105	102	17	88	2500
VMAX150XWH2-E24	150" (16:9)	3622	3321	3421	3567	3501	2643	1868	2538	60	105	610	17	88	2500
VMAX166XWH2	166" (16:9)	3975	3675	3775	3920	3855	2334	2067	2229	60	105	102	17	88	2500
VMAX106UWX2	106" (16:10)	2618	2283	2383	2563	2463	1682	1427	1589	60	93	102	17	80	1800
VMAX106UWX2-E24	106" (16:10)	2618	2283	2383	2563	2463	2190	1427	2097	60	93	610	17	80	1800
VMAX128UWX2	128" (16:10)	3091	2757	2857	3036	2937	1978	1723	1885	60	93	102	17	80	1800
VMAX128UWX2-E20	128" (16:10)	3091	2757	2857	3036	2937	2384	1723	2291	60	93	508	17	80	1800
VMAX142UWX2-E24	142" (16:10)	3360	3059	3159	3305	3239	2686	1912	2581	60	105	610	17	88	2500

Unit: mm

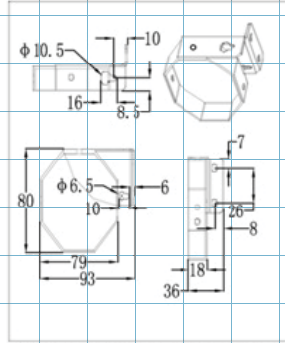
VMAX2 Series Dimensions Table

Model	Screen Diag. & Aspect Ratio	Case Length (A)	View Width (A1)	Screen Width (A2)	A3	Weight Bar Length (A4)	Overall Height (B)	View Height (B1)	B2	B3	End cap Height (B4)	Top Leader (B5)	C1	End Cap Width (C2)	Power Cord Length (D)
VMAX99XWS2	99S*(1:1)	82.2	70.0	73.0	80.0	76.1	79.0	70.0	75.4	2.4	3.7	3.0	0.7	3.1	70.9
VMAX99UWS2	99S*(1:1)	82.2	70.0	73.0	80.0	76.1	79.0	70.0	75.4	2.4	3.7	3.0	0.7	3.1	70.9
VMAX113XWS2	113*(1:1)	93.1	79.9	83.8	91.0	87.0	88.9	79.9	85.3	2.4	3.7	3.0	0.7	3.1	70.9
VMAX113UWS2	113*(1:1)	93.1	79.9	83.8	91.0	87.0	88.9	79.9	85.3	2.4	3.7	3.0	0.7	3.1	70.9
VMAX119XWS2	119*(1:1)	97.3	84.1	88.1	95.2	91.2	93.2	84.1	89.5	2.4	3.7	3.0	0.7	3.1	70.9
VMAX119UWS2	119*(1:1)	97.3	84.1	88.1	95.2	91.2	93.2	84.1	89.5	2.4	3.7	3.0	0.7	3.1	70.9
VMAX136XWS2	136*(1:1)	109.2	96.2	100.1	107.0	103.3	105.2	96.2	101.5	2.4	3.7	3.0	0.7	3.1	70.9
VMAX136UWS2	136*(1:1)	109.2	96.2	100.1	107.0	103.3	105.2	96.2	101.5	2.4	3.7	3.0	0.7	3.1	70.9
VMAX153XWS2	153*(1:1)	119.8	108.2	112.1	117.7	115.3	117.7	108.2	113.6	2.4	4.1	3.0	0.7	3.5	98.4
VMAX153UWS2	153*(1:1)	119.8	108.2	112.1	117.7	115.3	117.7	108.2	113.6	2.4	4.1	3.0	0.7	3.5	98.4
VMAX170XWS2	170*(1:1)	131.4	120.2	124.1	129.3	127.3	129.7	120.2	125.6	2.4	4.1	3.0	0.7	3.5	98.4
VMAX170UWS2	170*(1:1)	131.4	120.2	124.1	129.3	127.3	129.7	120.2	125.6	2.4	4.1	3.0	0.7	3.5	98.4
VMAX84XWV2	84*(4:3)	79.4	67.2	70.2	77.2	73.3	64.4	50.4	60.8	2.4	3.7	8.0	0.7	3.1	70.9
VMAX84UWV2	84*(4:3)	79.4	67.2	70.2	77.2	73.3	64.4	50.4	60.8	2.4	3.7	8.0	0.7	3.1	70.9
VMAX92XWV2	92*(4:3)	85.7	73.6	76.6	83.6	79.7	66.2	55.2	62.6	2.4	3.7	5.0	0.7	3.1	70.9
VMAX92UWV2	92*(4:3)	85.7	73.6	76.6	83.6	79.7	66.2	55.2	62.6	2.4	3.7	5.0	0.7	3.1	70.9
VMAX100XWV2	100*(4:3)	93.1	80.0	83.9	91.0	87.1	71.0	60.0	67.4	2.4	3.7	5.0	0.7	3.1	70.9
VMAX100UWV2	100*(4:3)	93.1	80.0	83.9	91.0	87.1	71.0	60.0	67.4	2.4	3.7	5.0	0.7	3.1	70.9
VMAX100XWV2-E24	100*(4:3)	93.1	80.0	83.9	91.0	87.1	90.0	60.0	86.4	2.4	3.7	24.0	0.7	3.1	70.9
VMAX120XWV2	120*(4:3)	109.2	96.0	99.9	107.0	103.1	82.0	72.0	78.4	2.4	3.7	4.0	0.7	3.1	70.9
VMAX120UWV2	120*(4:3)	109.2	96.0	99.9	107.0	103.1	82.0	72.0	78.4	2.4	3.7	4.0	0.7	3.1	70.9
VMAX120XWV2-E24	120*(4:3)	109.2	96.0	99.9	107.0	103.1	102.0	72.0	98.4	2.4	3.7	24.0	0.7	3.1	70.9
VMAX135XWV2	135*(4:3)	119.8	108.0	111.9	117.7	115.1	91.5	81.0	87.4	2.4	4.1	4.0	0.7	3.5	98.4
VMAX135UWV2	135*(4:3)	119.8	108.0	111.9	117.7	115.1	91.5	81.0	87.4	2.4	4.1	4.0	0.7	3.5	98.4
VMAX135XWV2-E24	135*(4:3)	119.8	108.0	111.9	117.7	115.1	111.5	81.0	107.4	2.4	4.1	24.0	0.7	3.5	98.4
VMAX150XWV2	150*(4:3)	131.9	120.0	123.9	129.7	127.1	100.5	90.0	96.4	2.4	4.1	4.0	0.7	3.5	98.4
VMAX150UWV2	150*(4:3)	131.9	120.0	123.9	129.7	127.1	100.5	90.0	96.4	2.4	4.1	4.0	0.7	3.5	98.4
VMAX165XWV2	165*(4:3)	143.9	132.0	135.9	141.7	139.1	109.5	99.0	105.4	2.4	4.1	4.0	0.7	3.5	98.4
VMAX84XWH2	84*(16:9)	85.4	73.2	76.2	83.2	79.4	55.2	41.2	51.5	2.4	3.7	8.0	0.7	3.1	70.9
VMAX84UWH2	84*(16:9)	85.4	73.2	76.2	83.2	79.4	55.2	41.2	51.5	2.4	3.7	8.0	0.7	3.1	70.9
VMAX84UWH2-E30	84*(16:9)	85.4	73.2	76.2	83.2	79.4	77.2	41.2	73.5	2.4	3.7	30.0	0.7	3.1	70.9
VMAX92XWH2	92*(16:9)	93.1	80.2	84.1	91.0	87.1	57.1	45.1	53.5	2.4	3.7	6.0	0.7	3.1	70.9
VMAX92UWH2	92*(16:9)	93.1	80.2	84.1	91.0	87.1	57.1	45.1	53.5	2.4	3.7	6.0	0.7	3.1	70.9
VMAX92UWH2-E30	92*(16:9)	93.1	80.2	84.1	91.0	87.1	81.1	45.1	77.5	2.4	3.7	30.0	0.7	3.1	70.9
VMAX100XWH2	100*(16:9)	100.2	87.2	91.1	98.0	94.2	61.1	49.0	57.4	2.4	3.7	6.0	0.7	3.1	70.9
VMAX100UWH2	100*(16:9)	100.2	87.2	91.1	98.0	94.2	61.1	49.0	57.4	2.4	3.7	6.0	0.7	3.1	70.9
VMAX106UWH2	106*(16:9)	105.6	92.4	96.3	103.4	99.5	66.0	52.0	62.3	2.4	3.7	8.0	0.7	3.1	70.9
VMAX106XWH2-E24	106*(16:9)	105.6	92.4	96.3	103.4	99.5	82.0	52.0	78.3	2.4	3.7	24.0	0.7	3.1	70.9
VMAX106UWH2-E24	106*(16:9)	105.6	92.4	96.3	103.4	99.5	82.0	52.0	78.3	2.4	3.7	24.0	0.7	3.1	70.9
VMAX110UWH2	110*(16:9)	109.2	95.9	99.8	107.0	103.0	68.0	53.9	64.3	2.4	3.7	8.0	0.7	3.1	70.9
VMAX110UWH2-E24	110*(16:9)	109.2	95.9	99.8	107.0	103.0	84.0	53.9	80.3	2.4	3.7	24.0	0.7	3.1	70.9
VMAX120XWH2	120*(16:9)	117.8	104.6	108.5	115.6	111.7	70.9	58.8	67.2	2.4	3.7	6.0	0.7	3.1	70.9
VMAX120UWH2	120*(16:9)	117.8	104.6	108.5	115.6	111.7	70.9	58.8	67.2	2.4	3.7	6.0	0.7	3.1	70.9
VMAX120XWH2-E24	120*(16:9)	117.8	104.6	108.5	115.6	111.7	88.9	58.8	85.2	2.4	3.7	24.0	0.7	3.1	70.9
VMAX120UWH2-E24	120*(16:9)	117.8	104.6	108.5	115.6	111.7	88.9	58.8	85.2	2.4	3.7	24.0	0.7	3.1	70.9
VMAX135XWH2	135*(16:9)	129.5	117.7	121.6	127.3	124.8	80.7	66.2	76.6	2.4	4.1	8.0	0.7	3.5	98.4
VMAX135UWH2	135*(16:9)	129.5	117.7	121.6	127.3	124.8	80.7	66.2	76.6	2.4	4.1	8.0	0.7	3.5	98.4
VMAX135XWH2-E24	135*(16:9)	129.5	117.7	121.6	127.3	124.8	96.7	66.2	92.6	2.4	4.1	24.0	0.7	3.5	98.4
VMAX135UWH2-E24	135*(16:9)	129.5	117.7	121.6	127.3	124.8	96.7	66.2	92.6	2.4	4.1	24.0	0.7	3.5	98.4
VMAX150XWH2	150*(16:9)	142.6	130.7	134.7	140.4	137.8	84.0	73.5	79.9	2.4	4.1	4.0	0.7	3.5	98.4
VMAX150UWH2	150*(16:9)	142.6	130.7	134.7	140.4	137.8	84.0	73.5	79.9	2.4	4.1	4.0	0.7	3.5	98.4
VMAX150UWH2-E24	150*(16:9)	142.6	130.7	134.7	140.4	137.8	104.0	73.5	99.9	2.4	4.1	24.0	0.7	3.5	98.4
VMAX166XWH2	166*(16:9)	156.5	144.7	148.6	154.3	151.8	91.9	81.4	87.8	2.4	4.1	4.0	0.7	3.5	98.4
VMAX106UWX2	106*(16:10)	103.1	89.9	93.8	100.9	97.0	66.2	56.2	62.5	2.4	3.7	4.0	0.7	3.1	70.9
VMAX106UWX2-E24	106*(16:10)	103.1	89.9	93.8	100.9	97.0	86.2	56.2	82.5	2.4	3.7	24.0	0.7	3.1	70.9
VMAX128UWX2	128*(16:10)	121.7	108.5	112.5	119.5	115.6	77.9	67.8	74.2	2.4	3.7	4.0	0.7	3.1	70.9
VMAX128UWX2-E20	128*(16:10)	121.7	108.5	112.5	119.5	115.6	93.9	67.8	90.2	2.4	3.7	20.0	0.7	3.1	70.9
VMAX142UWX2-E24	142*(16:10)	132.3	120.4	124.4	130.1	127.5	105.8	75.3	101.6	2.4	4.1	24.0	0.7	3.5	98.4
VMAX142UWX2-E24	142*(16:10)	3360	3059	3159	3305	3239	2686	1912	2581	60	105	610	17	88	2500

Unit: inch

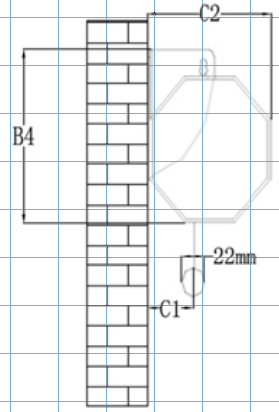
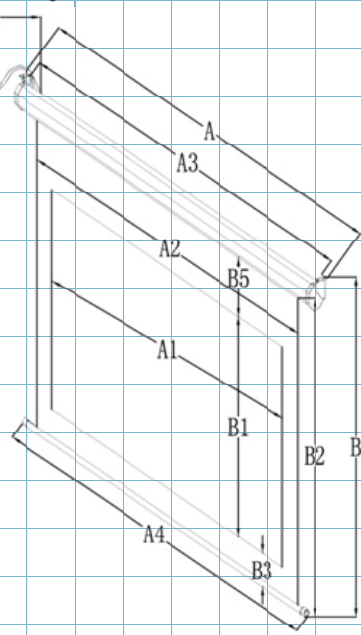
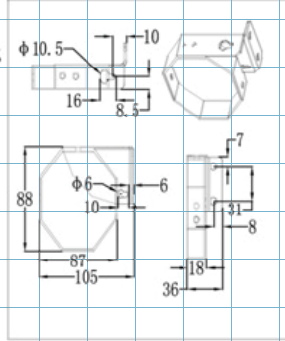
Note: Data Error ±1". The listed measurements are for general reference only. Please contact Elite Screens to verify product design and dimensions before attempting to integrate its products with any structural or furniture modification. Although a manufacturer may offer product advice, it may be taken or disregarded at the integrator's discretion. Elite Screens will not be held responsible or be otherwise liable for faulty installations.

end cap for
84" - 128" sizes



Unit of measure: mm

end cap for
135"-180" sizes



VMAX2 Series Dimensions Table (200" and above)

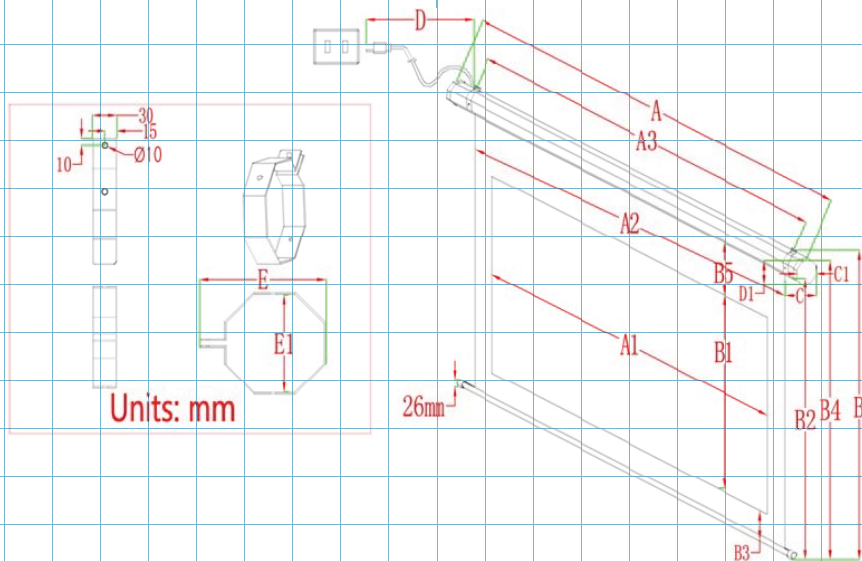
Model	Screen Diag. & Aspect Ratio	Case L (A)	Bracket Hole Distance (A3)	View W (A1)	Screen W (A2)	Overall H w/ Bracket (B)	View H (B1)	Screen H (B2)	B3	Overall H w/out bracket (B4)	B5	End Cap Height (D1)	End Cap W (C1)	C	E	E1	D
VMAX200XWV2	200" (4:3)	4430	4265	4064	4164	3707	3048	3392	90	3519	254	127	127	15	188	138	2500
VMAX200UWH2	200" (16:9)	4790	4625	4428	4528	3150	2491	2835	90	2962	254	127	127	15	188	138	2500
VMAX235UWH2	235" (16:9)	5610	5445	5203	5303	3603	2927	3271	90	3411	254	140	140	18	192	144	2500

Unit: mm

Model	Screen Diag. & Aspect Ratio	Case L (A)	Bracket Hole Distance (A3)	View W (A1)	Screen W (A2)	Overall H w/ Bracket (B)	View H (B1)	Screen H (B2)	B3	Overall H w/out bracket (B4)	B5	End Cap Height (D1)	End Cap W (C1)	C	E	E1	D
VMAX200XWV2	200" (4:3)	174.4	167.9	160.0	163.9	145.9	120.0	133.5	3.5	138.5	10.0	5.0	5.0	0.6	7.4	5.4	98.4
VMAX200UWH2	200" (16:9)	188.6	182.1	174.3	178.3	124.0	98.1	111.6	3.5	116.6	10.0	5.0	5.0	0.6	7.4	5.4	98.4
VMAX235UWH2	235" (16:9)	220.9	214.4	204.8	208.8	141.8	115.2	128.8	3.5	134.3	10.0	5.5	5.5	0.7	7.6	5.7	98.4

Unit: inch

Note: Data Error ±1". The listed measurements are for general reference only. Please contact Elite Screens to verify product design and dimensions before attempting to integrate its products with any structural or furniture modification. Although a manufacturer may offer product advice, it may be taken or disregarded at the integrator's discretion. Elite Screens will not be held responsible or be otherwise liable for faulty installations.



Units: mm