

END-SUCTION CENTRIFUGAL PUMPS

Series: IB

1 - 15 HP / 1750 & 3500 RPM

Suction: 2" - 3" NPT

Discharge: 1½" - 2½" NPT



APPLICATIONS

- ▶ Booster systems
- ▶ Water transfer
- ▶ Chilled water system
- ▶ High flow-rate / medium pressure

VOLUTE

Cast iron ASTM A-48 class 30.

INTERMEDIATE COUPLING

Cast iron ASTM A-48 class 30.

IMPELLER

- ▶ Stainless steel 304
- ▶ Investment casting
- ▶ Dynamically balanced

SEAL

Design: mechanical, type 01.

Material: Ceramic stationary part, carbon ring seal and exclusion in the rotating part. Buna-N elastomer and stainless steel spring.

SHAFT SLEEVE

Stainless steel.

O-RINGS

Buna-N.

MOTOR

High quality premium efficiency TEFC or ODP electric motors, designed & developed in accordance with industry standards for industrial and commercial pumping applications.

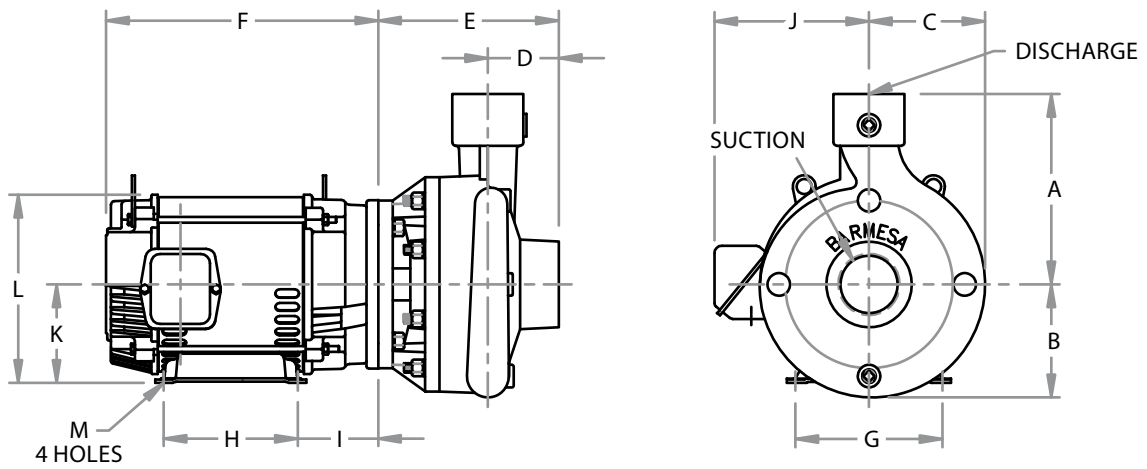
- ▶ 1 & 3 phases, 60 Hz
- ▶ Rated output: 1 to 15 HP
- ▶ 1750 & 3500 RPM
- ▶ Frame sizes: 143 JM to 254 JM

HARDWARE

Carbon steel.

PAINT

Air dry enamel, water based.



ODP

MODEL	PART No.	SIZE	HP	PHASE	RPM	FRAME	A	B	C	D	E	F	G	H	I	J	K	L	M			
IB1½-1-4	62070001	2" x 1½"	1	3	1750	143 JM	7.38	4.38	4.5	2.75	7	12	5.5	4	2.75	-	3.5	6.75	0.34			
IB1½-3-2	62070006		3	3	3500	182 JM						11.81	7.5	4.5	3.63	6.88	3.5	7.5	4.5	8.5	9.25	0.41
IB1½-3-2-1*	62070061		3	1	3500	182 JM						13.56			3.63	6.88						
IB1½-5-2	62070007		5	3	3500	182 JM						11.81	5.5	3.63	6.88	4.5	8.5	10.25	0.44			
IB1½-5-2-1	62070062		5	1	3500	184 JM																
IB1½-7.5-2	62070008		7.5	3	3500	184 JM																
IB1½-7.5-2-1*	62070063	7.5	1	3500	213 JM	7.13	15.63	8.5	4.25	8.25	5.25	10.25	0.44									
IB2-1.5-4*	62070022	2½" x 2"	1.5	3	1750	145 JM	7.75	4.63	4.81	2.88	7.13	10	5.5	5	2.09	6.13	3.5	6.63	0.34			
IB2-3-2	62070025		3	3	3500	182 JM						11.81	7.5	4.5	3.63	6.88	4.5	8.5	9.28	0.41		
IB2-3-2-1*	62070071		3	1	3500	182 JM						13.56			3.5	7.5						
IB2-5-2	62070026		5	3	3500	182 JM						11.81	5.5	3.63	6.88	4.5	8.5	10.25	0.44			
IB2-5-2-1	62070072		5	1	3500	184 JM																
IB2-7.5-2	62070027		7.5	3	3500	184 JM																
IB2-7.5-2-1	62070073	7.5	1	3500	213 JM	7.25	15.63	8.5	5.5	4.25	8.25	5.25	10.25	0.44								
IB2-10-2	62070028	10	3	3500	213 JM		13.5								7.6	9.96	0.41					
IB2½-2-4*	62070043	3" x 2½"	2	3	1750	145 JM	8.38	5.13	5.25	3.5	7.63	10	5.5	5	2.09	6.13	3.5	6.63	0.34			
IB2½-5-2	62070045		5	3	3500	182 JM						11.81	7.5	5.5	3.63	6.88	4.5	8.5	10.25	0.41		
IB2½-5-2-1	65070081		5	1	3500	184 JM																
IB2½-7.5-2	62070046		7.5	3	3500	184 JM						15.63	8.5	5.5	4.25	8.25	5.25	10.25	0.41			
IB2½-7.5-2-1*	62070082		7.5	1	3500	213 JM																
IB2½-10-2	62070047		10	3	3500	213 JM																
IB2½-15-2	62070048	15	3	3500	215 JM	7.13	13.5	7	7.6	9.96	0.41											

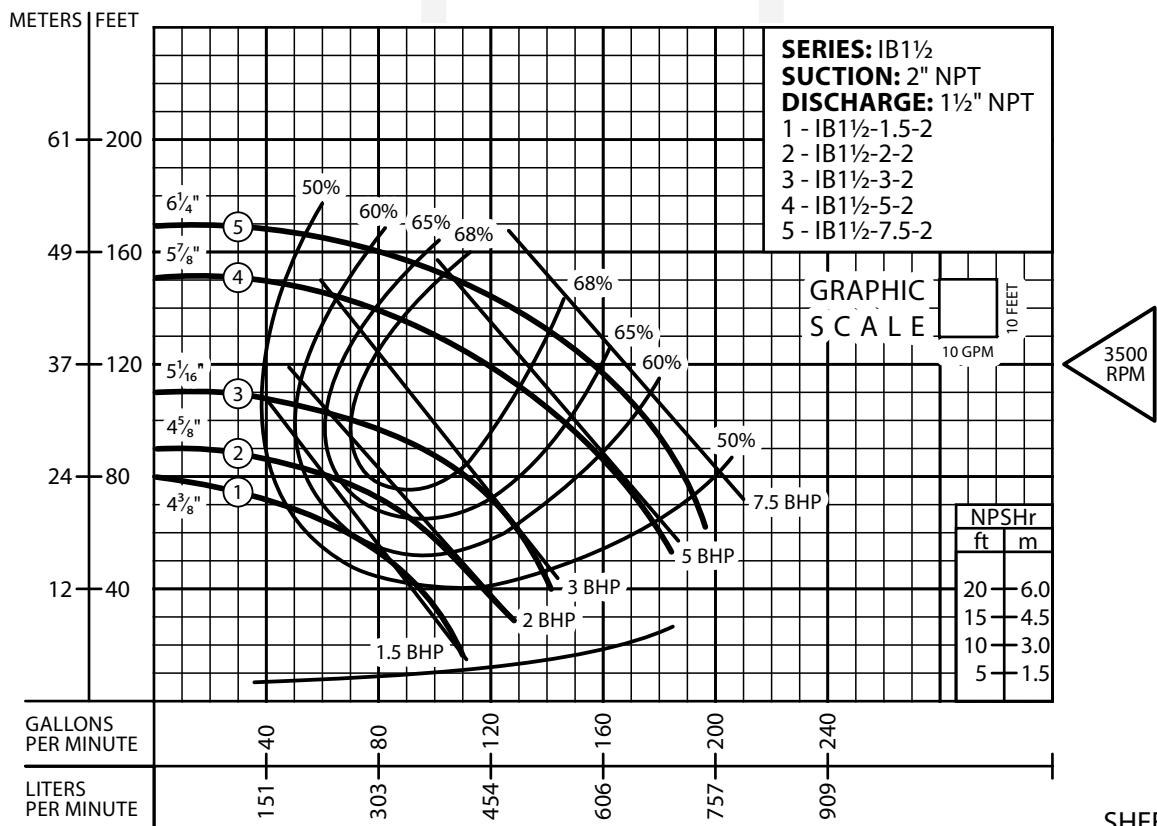
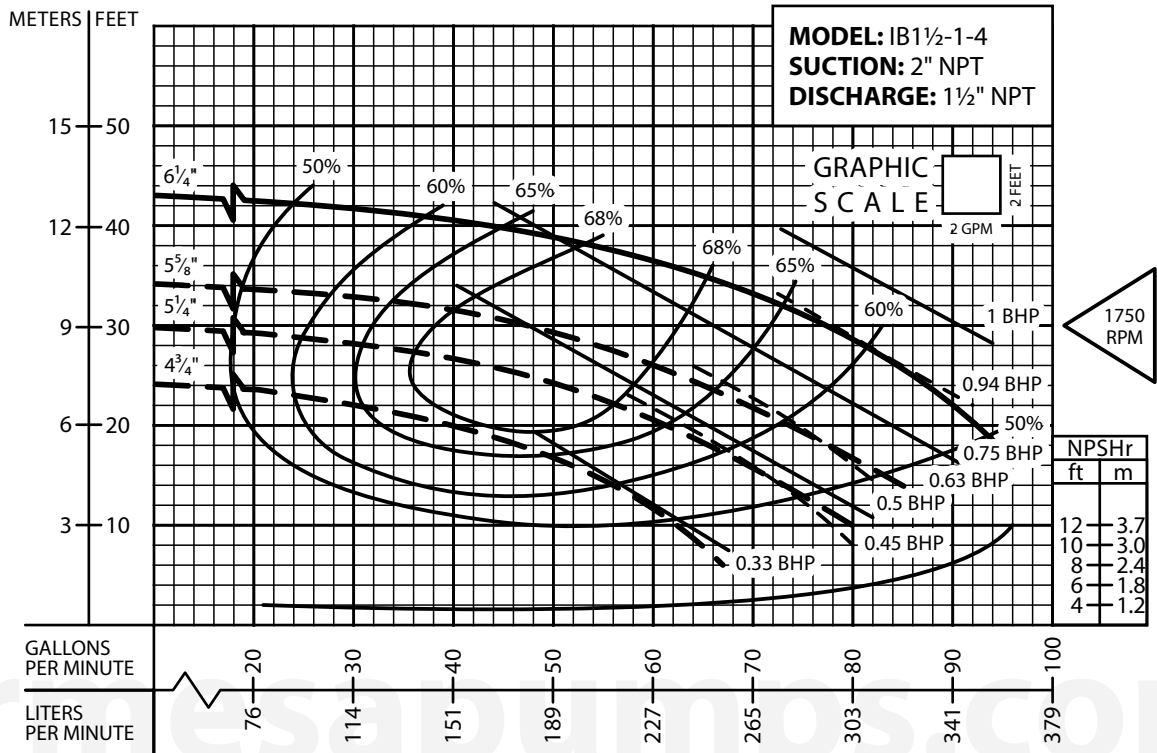
All dimensions are in inches, and may vary depending on the motor manufacturer. (*) motors are TEFC.

IMPORTANT!

1. Never use this pump to handle explosive liquids.
2. This pump is not approved to be used in swimming pools, recreational installations or any application where human contact may be common.

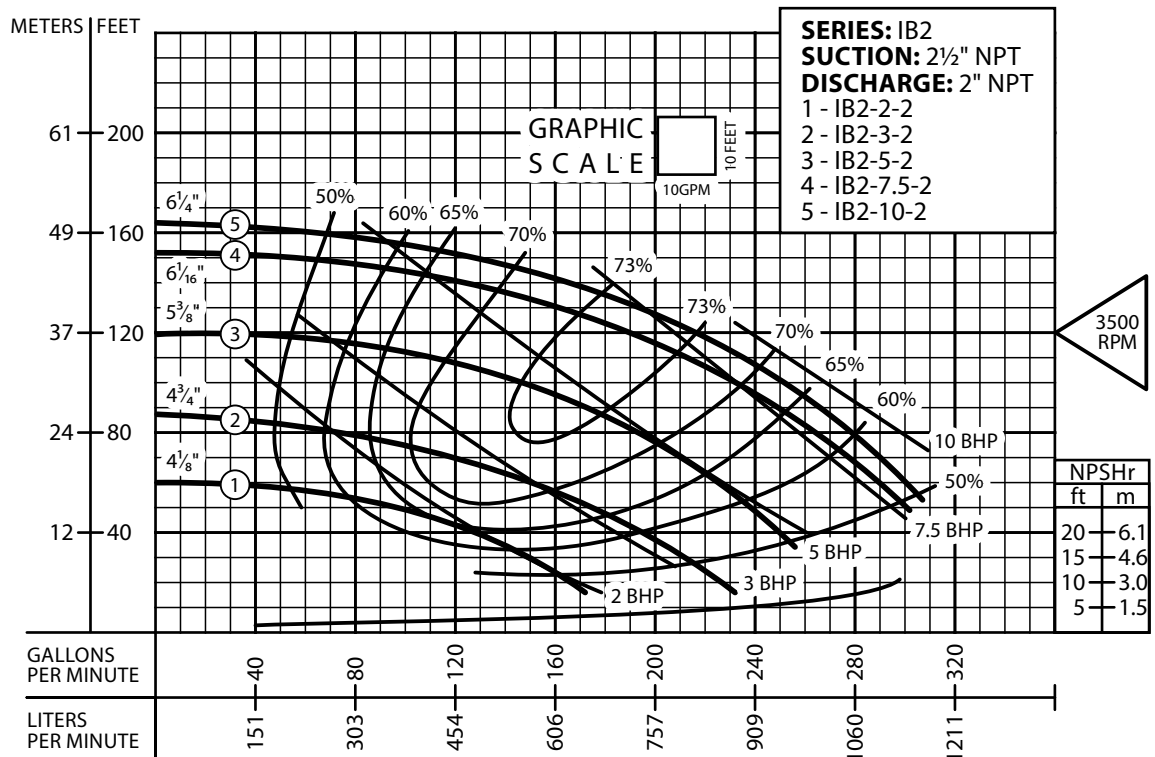
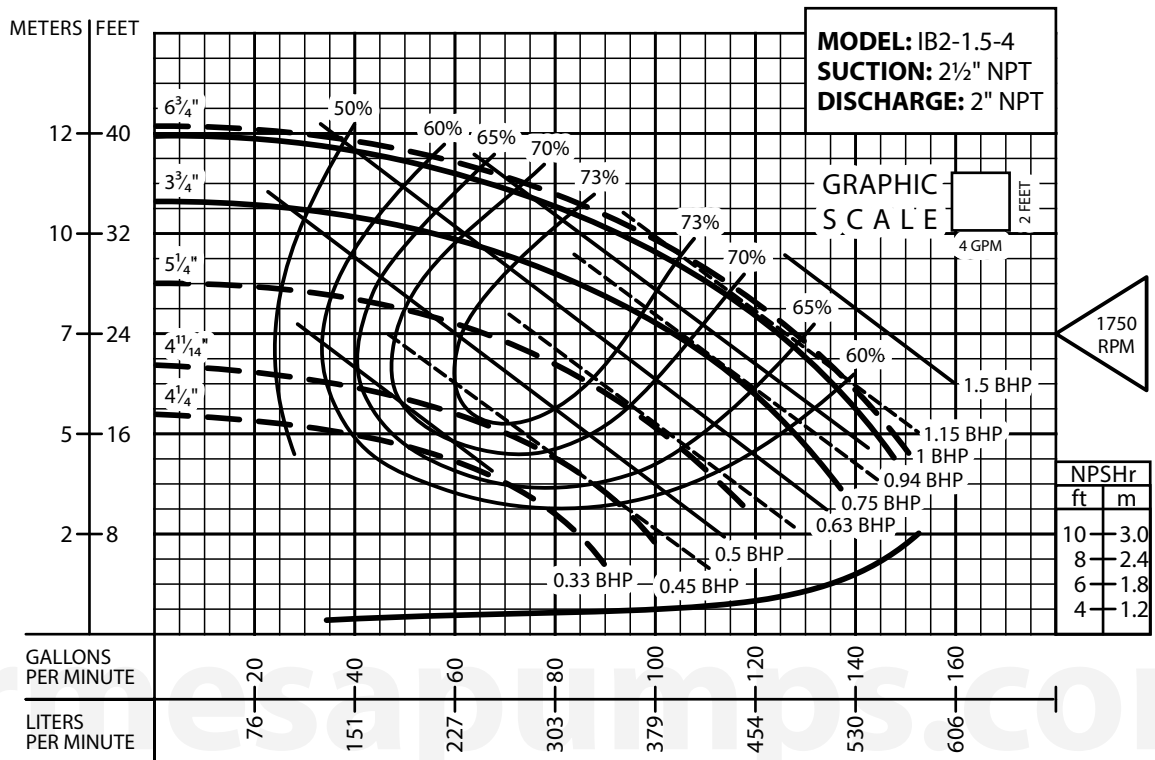
PERFORMANCE CURVE

End-Suction Centrifugal
Close Coupled
Series: **IB1½**



PERFORMANCE CURVE

End-Suction Centrifugal Close Coupled Series: IB2



PERFORMANCE CURVE
End-Suction Centrifugal
Close Coupled
Series: **IB2½**

