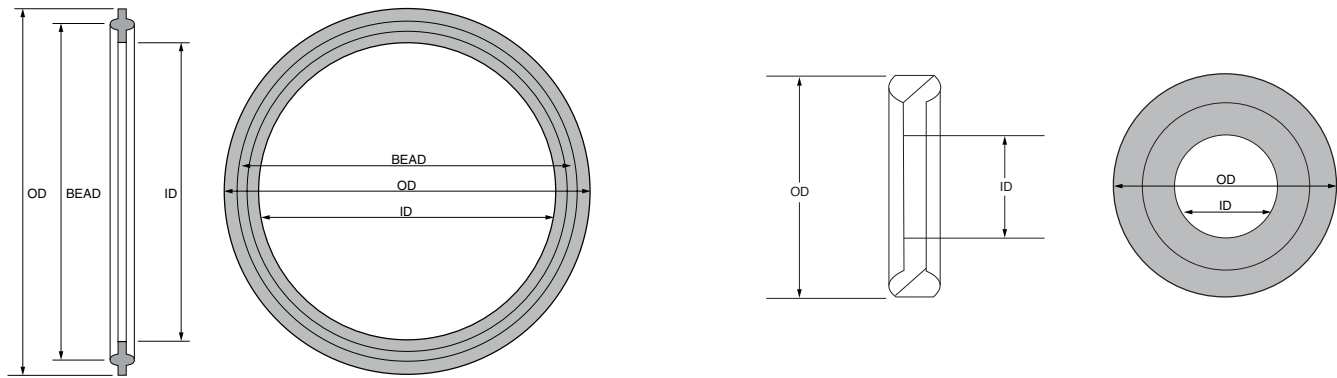


Dimensional Chart

For sanitary Tri-Clamp® gaskets.



ID		OD		Bead			DIN 32676	ISO1127	BPE	SCH 5
inch	mm	inch	mm	inch	mm					
0.17	4.2	0.87	22	*	*		DN06		1/4"	
0.24	6.2	0.87	22	*	*		DN08			
0.32	8.2	0.87	22	*	*		DN10B		3/8"	
0.40	10.2	0.87	22	*	*		DN12		1/2"	
0.48	12.2	0.87	22	*	*		DN14			
0.56	14.2	0.87	22	*	*		DN16			
0.64	16.2	0.87	22	*	*		DN18		3/4"	
* Mini gaskets do not have a ferrule bead. Above sizes utilize clamp size: 13MHHM-304-050/075										
0.40	10.2	1.34	34	1.08	27.5		DN10			
0.41	10.5	1.34	34	1.08	27.5			DN08		
0.56	14.2	1.34	34	1.08	27.5			DN10		
0.64	16.2	1.34	34	1.08	27.5		DN15			
0.72	18.2	1.34	34	1.08	27.5			DN15		
0.80	20.2	1.34	34	1.08	27.5		DN20			
0.90	22.9	1.34	34	1.08	27.5				1" NEW	
Above sizes utilize clamp size: 13MHHM-304-34mm										
0.90	22.9	1.49	37.7	1.25	31.75				1" MAXI	
Above size utilizes clamp size: 13MHHM-304-100/150										
.40	10.2	2.00	50.5	1.71	43.5		DN10C			
.56	14.2	2.00	50.5	1.71	43.5			DN10B		
.64	16.2	2.00	50.5	1.71	43.5		DN15B			
.79	20.2	2.00	50.5	1.71	43.5		DN20B			
0.72	18.4	2.00	50.5	1.71	43.5			DN15B		
0.90	22.9	2.00	50.5	1.71	43.5				1"	
0.94	23.9	2.00	50.5	1.71	43.5			DN20		
1.03	26.2	2.00	50.5	1.71	43.5		DN25			
1.18	29.9	2.00	50.5	1.71	43.5			DN25		
1.20	30.5	2.00	50.5	1.71	43.5					1"
1.27	32.2	2.00	50.5	1.71	43.5		DN32			
1.39	35.3	2.00	50.5	1.71	43.5				1.5"	
1.50	38.2	2.00	50.5	1.71	43.5		DN40			
1.52	38.6	2.00	50.5	1.71	43.5			DN32		
Above sizes utilize clamp size: 13MHHM-304-100/150										

Dimensional Chart

ID		OD		Bead			DIN 32676	ISO1127	BPE	SCH 5
inch	mm	inch	mm	inch	mm					
1.52	38.6	2.52	64	2.22	56.5			DN32B		
1.75	44.5	2.52	64	2.22	56.5			DN40		
1.78	45.3	2.52	64	2.22	56.5					1.5"
1.88	47.8	2.52	64	2.22	56.5				2"	
1.98	50.2	2.52	64	2.22	56.5		DN50			
Above sizes utilize clamp size: 13MHHM-304-200										
2.22	56.5	3.05	77.5	2.78	70.5			DN50		
2.26	57.4	3.05	77.5	2.78	70.5					2"
2.39	60.5	3.05	77.5	2.78	70.5				2.5"	
Above sizes utilize clamp size: 13MHHM-304-250										
2.60	66.2	3.58	91	3.29	83.5		DN65			
2.72	69	3.58	91	3.29	83.5					2.5"
2.85	72.3	3.58	91	3.29	83.5			DN65		
2.88	73.1	3.58	91	3.29	83.5				3"	
Above sizes utilizes clamp size: 13MHHM-304-300										
3.20	81.2	4.17	106	3.82	97		DN80			
3.35	85.1	4.17	106	3.82	97			DN80		3"
Above sizes utilize clamp size: 13MHHM-V-304-300										
3.85	97.7	4.67	119	4.33	110				4"	
3.94	100.2	4.67	119	4.33	110		DN100			
Above sizes utilize clamp size: 13MHHM-304-400										
4.35	110.5	5.12	130	4.80	122		DN115	DN100		4"
Above size utilizes clamp size: 13MHHM-V-304-400										
4.86	123.5	5.68	144.2	5.29	134.3				5"	
Above sizes utilize clamp size: 13MHHM-304-500										
4.94	125.4	6.10	155	5.75	146		DN125			
5.30	134.7	6.10	155	5.75	146			DN125		
5.35	135.9	6.10	155	5.75	146					5"
Above sizes utilize clamp size: 13MHHM-V-304-500										
5.80	147.2	6.57	167	6.16	156.5				6"	
Above size utilizes clamp size: 13MHHM-304-600										
5.92	150.4	7.20	183	6.85	174		DN150			
6.43	163.3	7.20	183	6.85	174			DN150		6"
Above sizes utilize clamp size: 13MHHM-V-304-600										
7.80	198	8.56	217.4	8.15	207				8"	
Above sizes utilize clamp size: 13MHHM-304-800										
7.88	200.2	9.19	233.5	8.86	225		DN200			
8.43	214.2	9.19	233.5	8.86	225			DN200		8"
Above sizes utilize clamp size: 13MHHM-V-304-800										
9.74	247.4	10.55	268	10.12	257		DN250		10"	
Above size utilizes clamp size: 13MHHM-304-1000										
11.74	298.2	12.56	319	12.17	309		DN300		12"	
Above size utilizes clamp size: 13MHHM-304-1200										