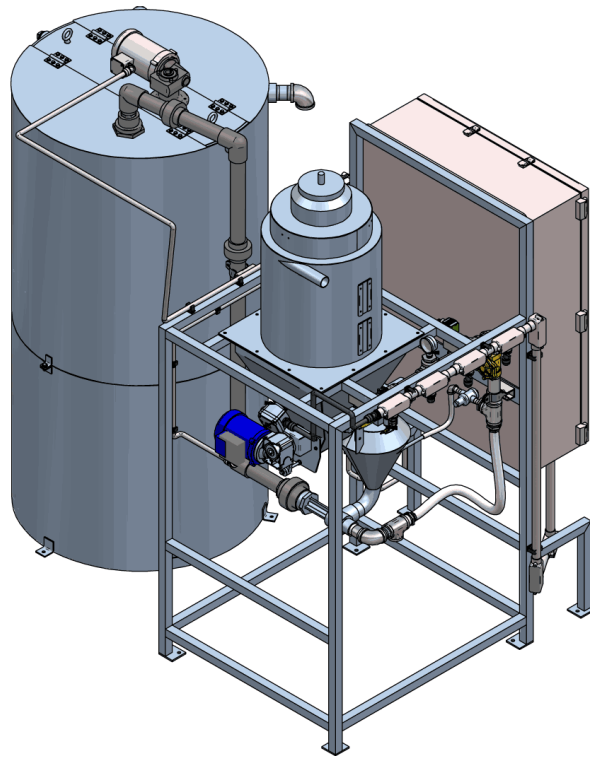


PolyRex Polymer Feed System

Integrated Dry / Liquid Polymer Feed System



The **PolyRex** is a turn-key automatic feed system for batch-wise preparation and metering of polymer solutions from powdered or liquid chemicals.

The PolyRex feeds an adjustable flow of powdered or liquid polymers and an adjustable flow of preparation and dilution water. The PolyRex uses a step-by-step mixing system to effectively hydrate and mix the polymer to a homogenous and activated polymer solution. The initial step is the hydration system, where the polymer is wetted, followed by water acceleration in the ejector, and the efficient but gentle agitating in the mixing tank. The PolyRex step-by-step mixing system provides you with the most efficient way to produce a polymer solution.

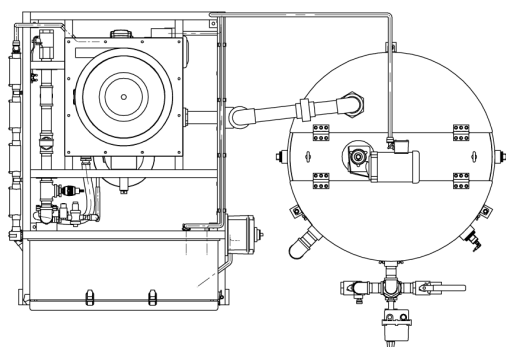
Features & Benefits

- Powder or liquid polymer feeder
- Choice of hydration systems
- Automatic water control
- Preparation/stock tanks in various sizes
- User friendly control logic
- Proven multiscrew technology
- Highly effective static mixer
- Vacuum conveyer option
- Variety of bulk bag handling systems
- Modular, Compact, Reliable design

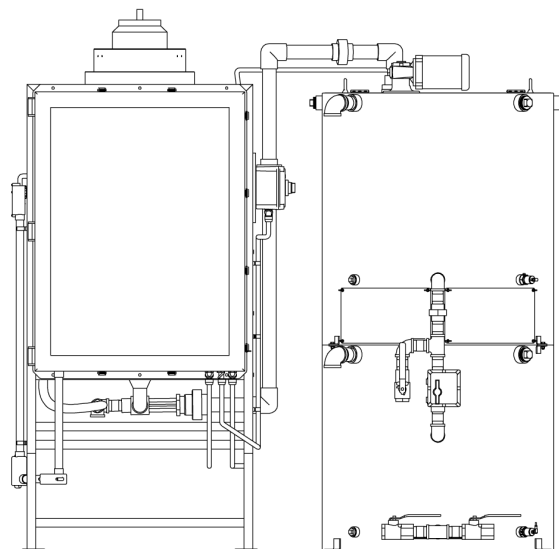
PolyRex Polymer Feed System

Technical Data

Capacities (lbs/h) Based on 45 - 60 min. of aging time		
Type	0.5% Solution	0.25% Solution
PolyRex 0.6	2.2 - 2.7	1.1 - 1.3
PolyRex 1.0	4.0 - 5.1	2.0 - 2.4
PolyRex 2.0	8.4 - 10.4	4.2 - 5.0
PolyRex 3.0	11.2 - 14.1	5.5 - 7.1
PolyRex 4.0	17.0 - 20.9	8.4 - 10.4
PolyRex 5.4	21.6 - 26.5	10.8 - 13.2
PolyRex 6.6	28.4 - 35.3	15.0 - 19.0
PolyRex 8.4	34.4 - 42.1	18.3 - 22.9



PLAN VIEW

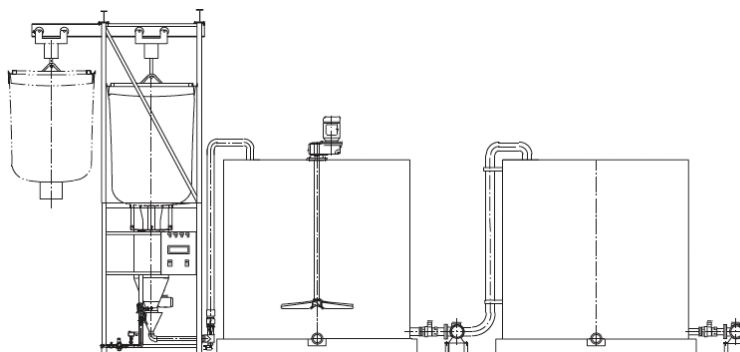


FRONT VIEW

PolyRex MAXI Systems (High Capacity) Approximate

The **PolyRex Maxi** systems are built for high capacity needs, in large waste water plants or in industrial applications.

Capacities (lbs/h)				
Type	Tank Size	0.5% Solution	0.25% Solution	
PolyRex MAXI 11	2 x 1450 gal	45.6 - 56.2	24.5 - 30.9	
PolyRex MAXI 16	2 x 2100 gal	60.4 - 72.8	33.3 - 41.0	
PolyRex MAXI 23	2 x 3000 gal	76.7 - 90.4	43.4 - 52.5	



PolyRex with big bag station, electrical chain hoist and a telfer beam