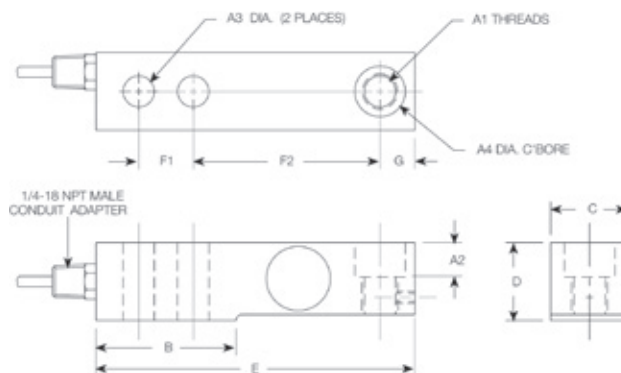


RLBLC

Single-ended Beam, Stainless Steel with Counter Bore



Picture is a representation of actual product



Specifications

<p>Full Scale Output: 3.0 mV/V nominal</p> <p>Bridge Resistance: 1,000 ohms, nominal</p> <p>Material/Finish: Stainless steel</p> <p>Temperature: Operating range -40° F to 150° F / -40° C to 65° C</p>	<p>Seal Type: Environmentally sealed</p> <p>Safe Overload: 150% full scale</p> <p>Safe Sideload: 100% full scale</p> <p>Rated Excitation: 5-10 VDC (15 V maximum)</p> <p>Nonlinearity: 0.03% full scale</p>	<p>Hysteresis: 0.05% full scale</p> <p>Insulation Resistance: 5,000 megohms</p> <p>Deflection at Capacity: 1,000 lb-4,000 lb=0.010 in (0.25 mm) 5,000 lb-10,000 lb=0.012 in (0.30 mm)</p> <p>Cable Length: 1,000 lb-4,000 lb=10 ft (3.1 m) 5,000 lb-10,000 lb=20 ft (6.1 m)</p>	<p>Cable Diameter: 0.190 polyurethane jacket</p> <p>Cable Color Code: Green+ Excitation Black- Excitation White+ Signal Red- Signal</p> <p>Warranty: Two-year limited warranty</p>
---	--	---	---

Dimensions

RATED CAPACITY	A1	A2	A3	A4	B	C	D	E	F1	F2	G
lb/inches											
1,000-4,000	1/2-20 UNF-2B	0.56	0.53	0.81	2.25	1.21	1.19	5.25	1.00	3.00	0.60
5,000	3/4-16 UNF-2B	0.79	0.78	1.19	3.00	1.45	1.44	6.75	1.50	3.75	0.75
10,000	3/4-16 UNF-2B	0.79	0.78	1.19	3.00	1.69	1.69	6.75	1.50	3.75	0.75
kg/mm											
453.6-1,814.4	1/2-20 UNF-2B	14.2	13.5	20.6	57.2	30.2	30.2	130.1	25.4	76.2	12.7
2,268.0	3/4-16 UNF-2B	20.1	19.8	30.2	76.2	36.6	36.6	171.5	38.1	95.3	19.1
4,535.9	3/4-16 UNF-2B	20.1	19.8	30.2	76.2	42.9	42.9	171.5	38.1	95.3	19.1

Order Information

LOAD RATING	PART #	EST. SHIPPING WEIGHT	PRICE
1,000 lb (453.6 kg)	17091	3 lb	\$395.00
2,500 lb (1,134.0 kg)	17096	3 lb	395.00
4,000 lb (1,814.4 kg)	17101	3 lb	395.00
5,000 lb (2,268.0 kg)	17104	5 lb	495.00
10,000 lb (4,535.9 kg)	17108	5 lb	495.00
Bushing (for conversion to non-counter bore)			
1,000 lb-4,000 lb SST	17691		8.00

Interchangeable Products

MANUFACTURER	MODEL	PAGE #
HBM®	BLC	245