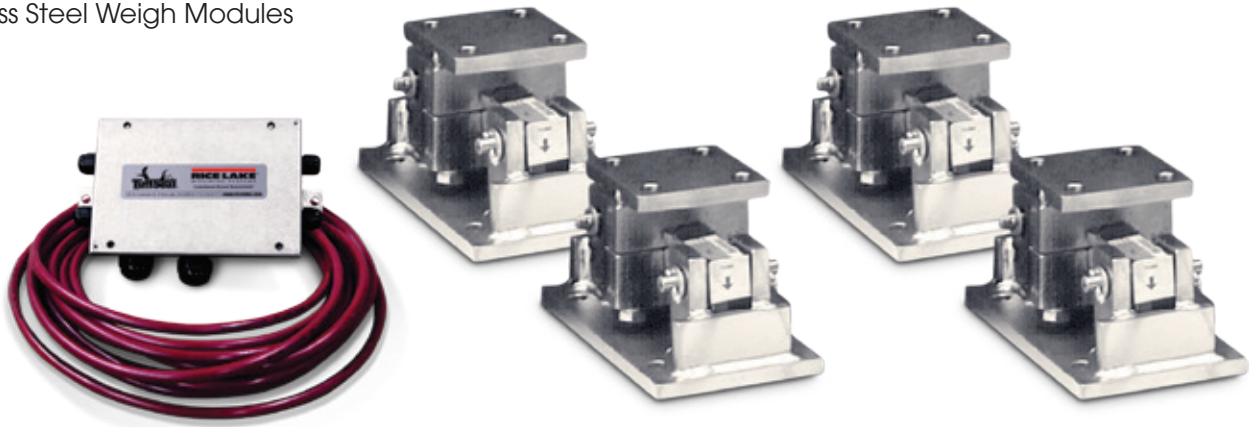


# RL1600 Series

Stainless Steel Weigh Modules

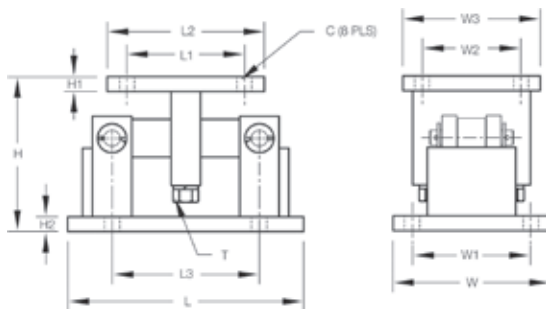
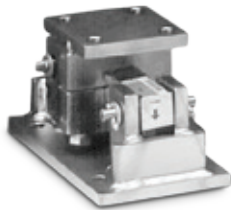


Available in configurations with three or four mounting assemblies.

Picture is a representation of actual product

The RL1600 Series mounting module kit utilizes several Rice Lake Weighing Systems components to provide an unmatched level of performance in tank and hopper weighing applications. The RL1600 Series kit is ideally suited for indoor and outdoor process control operations in the medium-to high-capacity ranges. Each module incorporates self-checking capabilities for thermal expansion and contraction.

Fabricated stainless steel module with RL75016 SS double-ended beam load cell.



## Dimensions

RATED CAPACITY	C	H	H1	H2	L	L1	L2	L3	T	W	W1	W2	W3
<b>lb/inches</b>													
1,000-5,000	0.56	5.00	0.50	0.50	9.25	2.75	4.00	6.25	1/2-13 UNC	5.00	3.75	2.75	4.00
10,000-25,000	0.78	7.87	0.75	0.75	12.00	6.00	8.00	7.50	3/4-10 UNC	8.00	6.00	6.00	8.00
50,000-75,000	0.78	9.25	1.00	1.00	16.25	6.50	9.00	11.50	1 1/4-7 UNC	12.00	9.50	6.50	9.00
<b>kg/mm</b>													
453.6-2,268.0	14.2	127.0	12.7	12.7	235.0	69.9	101.6	158.8	1/2-13 UNC	127.0	95.3	69.9	101.6
4,535.9-11,339.8	19.8	199.9	19.1	19.1	304.8	152.4	203.2	190.5	3/4-10 UNC	203.2	152.4	152.4	203.2
22,679.7-34,019.5	19.8	234.9	25.4	25.4	412.8	165.1	228.6	292.1	1 1/4-7 UNC	304.8	241.3	165.1	228.6

## Complete Kit Includes

- 1 JB4SS NEMA Type 4X stainless steel signal trim junction box
- 3 or 4 RL1600 stainless steel compression mounts
- 3 or 4 RL75016 SS stainless steel double-ended shear beam load cells
- 25 ft of our hostile environment EL147HE SURVIVOR® load cell cable

## Applications

- Medium-to heavy-capacity tanks, bins, and hoppers
- Bulk material management

## Standard Features

- Capacities (per module): 1,000 lb-75,000 lb (453.6 kg-34,019.5 kg)
- 304 stainless steel construction
- Self-checking, easy-to-use design allows module to be bolted directly to tank leg without requiring additional mounting plates or load buttons
- Environmentally protected load cells
- Double-ended shear beam design, center loaded

## Optional Features

- Kits available with VPG Sensortronics 65016W SS load cells

## Load Cell Certifications



# RL1600 Series

Stainless Steel Weigh Modules

## Order Information

LOAD RATING (PER MODULE)		PART #	PRICE
<b>Single Module (Does NOT include Load Cell)</b>			
1,000 lb-5,000 lb	(453.6 kg-2,268.0 kg)	17813	\$565.00
10,000 lb-25,000 lb	(4,535.9 kg-11,339.8 kg)	17815	1,095.00
50,000 lb	(22,679.6 kg)	17842	2,595.00
75,000 lb	(34,019.5 kg)	25347	2,595.00
<b>3-Module Kit</b>			
1,000 lb	(453.6 kg)	18141	3,250.00
1,500 lb	(680.4 kg)	18142	3,250.00
2,000 lb	(907.2 kg)	18143	3,250.00
2,500 lb	(1,134.0 kg)	18144	3,250.00
5,000 lb	(2,268.0 kg)	18145	3,250.00
10,000 lb	(4,535.9 kg)	18146	4,895.00
15,000 lb	(6,803.9 kg)	18147	4,895.00
20,000 lb	(9,071.9 kg)	18148	4,895.00
25,000 lb	(11,339.8 kg)	18149	4,895.00
50,000 lb	(22,679.6 kg)	18150	10,995.00
75,000 lb	(34,019.5 kg)	25352	10,995.00
<b>4-Module Kit</b>			
1,000 lb	(453.6 kg)	18152	4,195.00
1,500 lb	(680.4 kg)	18153	4,195.00
2,000 lb	(907.2 kg)	18154	4,195.00
2,500 lb	(1,134.0 kg)	18155	4,195.00
5,000 lb	(2,268.0 kg)	18156	4,195.00
10,000 lb	(4,535.9 kg)	18157	6,695.00
15,000 lb	(6,803.9 kg)	18158	6,695.00
20,000 lb	(9,071.9 kg)	18159	6,695.00
25,000 lb	(11,339.8 kg)	18160	6,695.00
50,000 lb	(22,679.6 kg)	18161	14,995.00
75,000 lb	(34,019.5 kg)	25353	14,995.00

# VPG Sensortronics 65016W

## Order Information

LOAD RATING (PER MODULE)		PART #	PRICE
<b>3-Module Kit</b>			
1,000 lb	(453.6 kg)	18213	\$3,495.00
1,500 lb	(680.4 kg)	18214	3,495.00
2,500 lb	(1,134.0 kg)	18216	3,495.00
5,000 lb	(2,268.0 kg)	18217	3,495.00
10,000 lb	(4,535.9 kg)	18218	5,295.00
15,000 lb	(6,803.9 kg)	18219	5,295.00
20,000 lb	(9,071.9 kg)	18220	5,295.00
25,000 lb	(11,339.8 kg)	18221	5,295.00
50,000 lb	(22,679.6 kg)	18222	11,595.00
75,000 lb	(34,019.5 kg)	25354	11,595.00
<b>4-Module Kit</b>			
1,000 lb	(453.6 kg)	18224	4,595.00
1,500 lb	(680.4 kg)	18225	4,595.00
2,500 lb	(1,134.0 kg)	18227	4,595.00
5,000 lb	(2,268.0 kg)	18228	4,595.00
10,000 lb	(4,535.9 kg)	18229	6,995.00
15,000 lb	(6,803.9 kg)	18230	6,995.00
20,000 lb	(9,071.9 kg)	18231	6,995.00
25,000 lb	(11,339.8 kg)	18232	6,995.00
50,000 lb	(22,679.6 kg)	18233	15,295.00
75,000 lb	(34,019.5 kg)	25355	15,295.00
<b>Dummy Load Cells (Mild Steel)</b>			
1,000 lb-5,000 lb	(453.6 kg-2,268.0 kg)	18236	20.00
10,000 lb-25,000 lb	(4,535.9 kg-11,339.8 kg)	18237	35.00
50,000 lb	(22,679.6 kg)	18238	50.00

## Shims, Stainless

	PART #	PRICE
<b>1,000 lb-5,000 lb</b>		
0.0625	150852	\$3.25
0.125	150853	8.50
0.250	150854	14.25
<b>10,000 lb-25,000 lb</b>		
0.0625	150855	12.75
0.125	150856	20.50
0.250	150857	57.00
<b>50,000 lb-75,000 lb</b>		
0.0625	150858	16.25
0.125	150859	26.25
0.250	150861	72.25