

Mettler Toledo™ DigiTOL® Retrofit Kit

Stainless Steel, Rice Lake Weighing Systems/Flintec

RC1 Load Cells

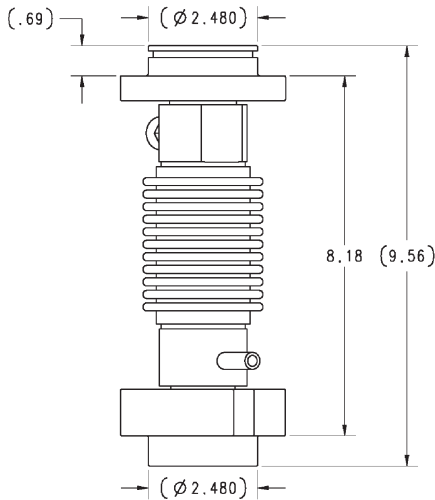


Shown here with the JB8SP signal trim junction box

Picture is a representation of actual product

These kits are designed to provide a cost effective solution for replacing Toledo™ DigiTOL® digital load cells with analog load cells. The Flintec RC1 and RC3 load cells are stainless steel and hermetically sealed to provide years of trouble-free service.

Load Cell Certifications



RC1-250KN

Complete Kit Includes

- 1 JB8SP or 2 JB8SP signal trim junction boxes (8 and 10 mount kit)
- 3 EL304 signal trim boxes in 12 mount kits
- 8, 10 or 12 Flintec RC1-250 KN load cells with upper and lower load cups
- 100ft of hostile environment EL147HE SURVIVOR® load cell cable
- Cups included

Applications

- Toledo® DigiTOL® truck scale conversion

Standard Features

- Stainless steel hermetically sealed load cells
- Converts existing Mettler Toledo DigiTOL scale to an analog based load cell weighing system
- 8, 10 or 12 load cells, cups plus junction box and home run cable
- Load cells are NTEP Certified 1:10,000 divisions, Class III L*
- Rocker design load cells
- Load cups

DigiTOL Retrofit Order information

DESCRIPTION	PART #	PRICE
8 mount kit. (RC1-56,000)	78713	\$8,795.00
10 mount kit. (RC1-56,000)	78714	10,695.00
12 mount kit (RC1-56,000)	152774	13,195.00

*Consult your local Weights & Measures Authorities for local Legal for Trade requirements

Mettler Toledo™ DigiTOL® Retrofit Kit

Stainless Steel, Rice Lake Weighing Systems/Flintec

RC3 Load Cells

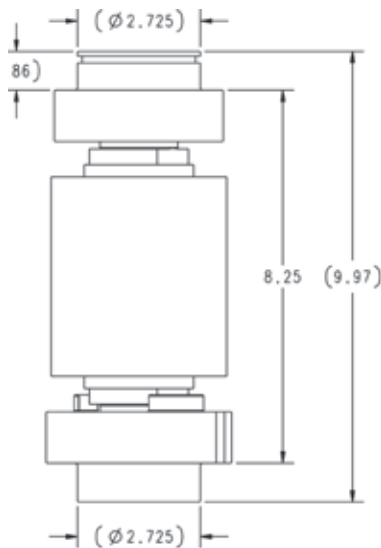


Shown here with the JB8SP signal trim junction box

Picture is a representation of actual product

This kit is designed to provide a cost effective solution for replacing Mettler Toledo™ DigiTOL® digital load cells with analog load cells. The Flintec® RC3 load cell is stainless steel and hermetically sealed to provide years of trouble-free service.

Load Cell Certifications



RC3-50t

Complete Kit Includes

- 1 JB8SP or 2 JB8SP signal trim junction boxes (8 and 10 mount kit)
- 3 EL304 signal trim boxes in 12 mount kits
- 8, 10 or 12 Flintec RC3
- 100 ft of hostile environment EL147HE SURVIVOR® load cell cable
- Cups included

Applications

- Toledo DigiTOL truck scale conversion

Standard Features

- Stainless steel hermetically sealed load cells
- Converts existing Mettler Toledo DigiTOL scale to an analog based load cell weighing system
- 8 or 10 load cells, cups plus junction box and home run cable
- Load cells are NTEP Certified 1:10,000 divisions, Class III*
- Rocker design load cells
- Load cups

DigiTOL Retrofit Order information

DESCRIPTION	PART #	PRICE
8 mount kit (RC3-50T) RR/track	129844	\$11,995.00
8 mount (RC3-50T) truck	154347	11,995.00
10 mount kit (RC3-50T) RR/track	111367	14,795.00
10 mount kit (RC3-50T) truck	154348	14,795.00
12 mount kit (RC3-50T) truck	154349	17,185.00

*Consult your local Weights & Measures Authorities for local Legal for Trade requirements