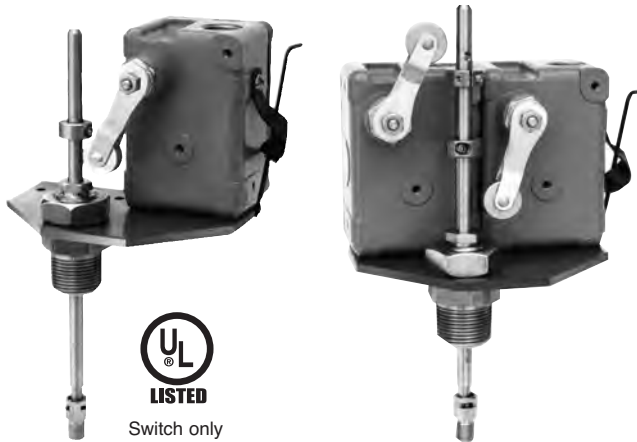


# X105L MODEL X105L2



## Limit Switch Assemblies



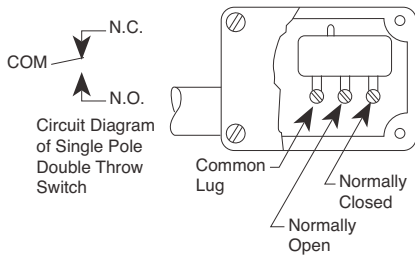
Switch only

- UL Listed Switches
- Positive Action
- Rugged and Dependable
- Weather Proof or Explosion Proof
- Easy To Adjust

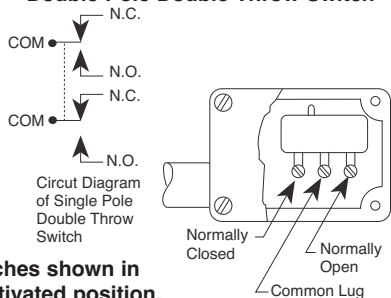
The Cla-Val Model X105L/X105L2 Limit Switch Assembly is a rugged, dependable and positive acting switch assembly actuated by the opening or closing of a Cla-Val control valve on which it is mounted. The single pole, double throw micro switch can be connected either to open or to close an electrical circuit when actuated. By loosening the allen screw on the actuating collar and raising or lowering the collar on the stem, the X105L is easily adjusted to signal that the valve has fully reached the desired position (open or closed).

### Installation

#### Single Pole Double Throw Switch



#### Double Pole Double Throw Switch

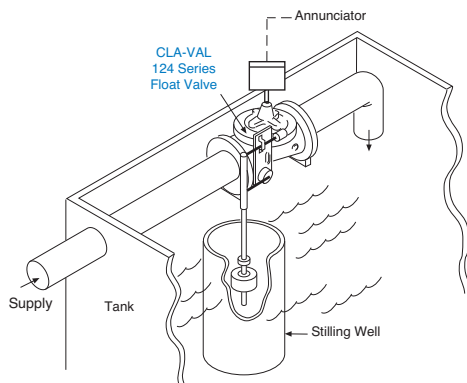
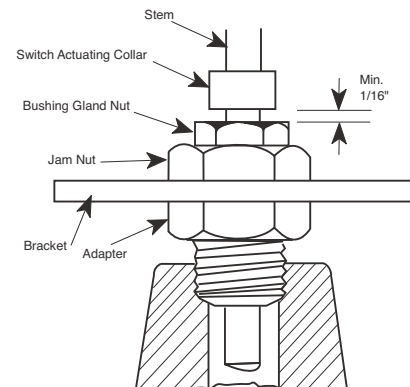


Switches shown in unactivated position.

1. Remove plug in top of valve cover.
2. Screw actuating stem into main valve stem.
3. Slip adapter down over stem and screw into place on valve cover.
4. Attach micro switch housing and bracket to adapter with jam nut.
5. Bring electrical supply circuit into unit through the 1/2" tapping in micro switch housing.
6. Adjust switch collars. (Set collar to trip switch after valve is positioned fully open or fully closed)

#### Actuating Collar Adjustment Minimum Setting

When adjusting actuating collar for proper switch action, a clearance of at least 1/16" (1/8" for 24" valve) must be provided between the collar and the bushing gland nut when valve is in the fully closed position.



### Typical Application

Used for any electrical operation which can be performed by either opening or closing a switch; such as alarm systems, process control, pump control, motor starting or stopping, etc. Readily attached to most Cla-Val Valves.