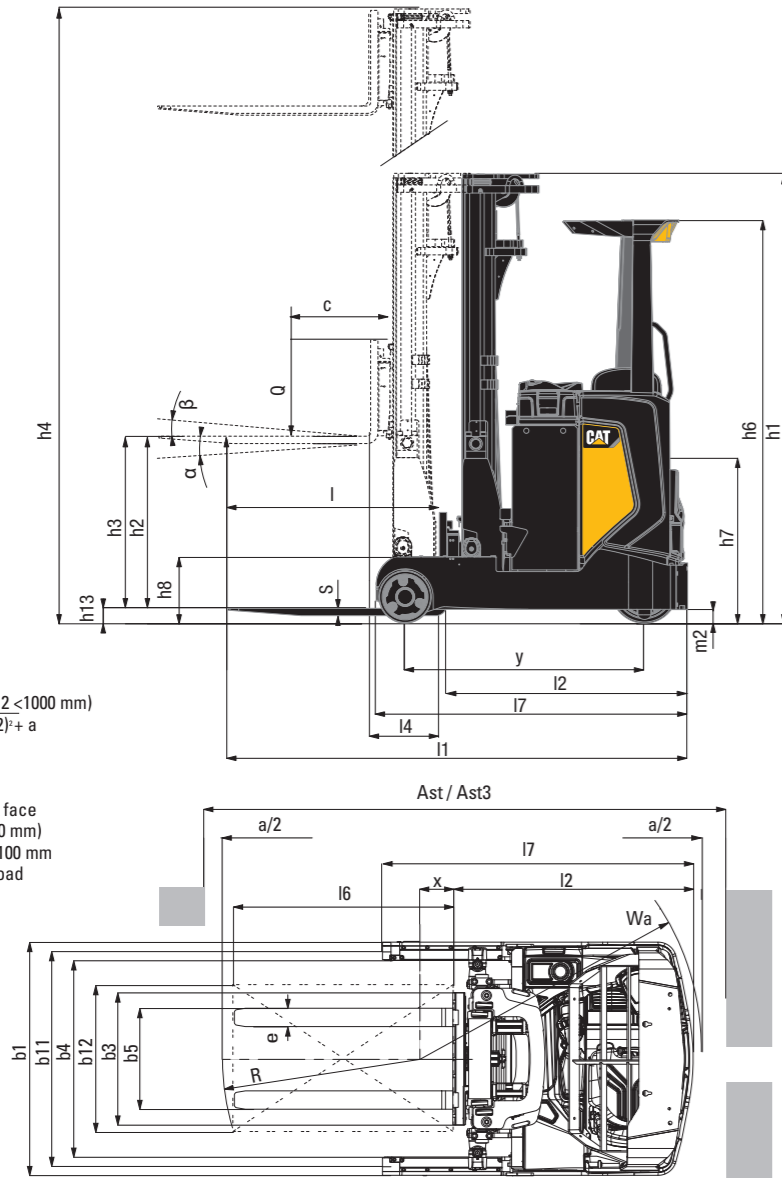


Cat® Lift Trucks.

Your partner in materials handling.

Ast = Working aisle width
 Ast3 = Working aisle width (b12 < 1000 mm)
 $Ast = Wa + \sqrt{(l6 - x)^2 + (b12/2)^2} + a$
 $Ast3 = Wa + l6 - x + a$
 Wa = Turning radius
 l6 = Pallet length (1200 mm)
 x = Load wheel axle to fork face
 b12 = Pallet width (800 or 1200 mm)
 a = Safety clearance = 2 x 100 mm
 Q = Lifting capacity, rated load
 c = Load centre (distance)



NR14N2S - NR16N2S - NR16N2 - NR16N2C				
Mast Type	h3 + h13	h1	h2 + h13	h4 ¹⁾
	mm	mm	mm	mm
T	4800	2210	1560	5630
	5400	2410	1760	6230
	5700	2510	1860	6530
	5900	2577	1927	6730
	6300	2710	2060	7130
	7000	2943	2293	7830
	7500	3110	2460	8330

NR14N2HS - NR16N2HS - NR16N2HC				
Mast Type	h3 + h13	h1	h2 + h13	h4 ¹⁾
	mm	mm	mm	mm
T	8000	3297	2647	8830
	8500	3436	2813	9330
	9000	3785	3135	9830
	9500	3952	3302	10330

NR16N2H				
Mast Type	h3 + h13	h1	h2 + h13	h4 ¹⁾
	mm	mm	mm	mm
T	8000	3297	2647	8830
	8500	3463	2813	9330
	9000	3785	3135	9830
	9500	3952	3302	10330
	10000	4118	3468	10830
	10500	4285	3635	11330
	11000	4452	3802	11830
	11500	4618	3968	12330

1) Including load backrest

Mast Performance and Capacity

T = Triplex powerRamic mast
 h1 = Lowered mast height
 h2 + h13 = Free lift
 h3 + h13 = Lifting height
 h4 = Raised mast height

info@catliftruck.com
 www.catliftruck.com

WESC1714(03/16)
 ©2015, MCFE. All Rights Reserved. CAT, CATERPILLAR, BUILT FOR IT, their respective logos, "Caterpillar Yellow," the "Power Edge" trade dress as well as corporate and product identity used herein, are trademarks of Caterpillar and may not be used without permission.

Printed in The Netherlands

NOTE: Performance specifications may vary depending on standard manufacturing tolerances, vehicle condition, types of tyres, floor or surface conditions, applications, or operating environment. Trucks may be shown with non-standard options. Specific performance requirements and locally available configurations should be discussed with your Cat lift trucks Dealer. Cat Lift Trucks follows a policy of continual product improvement. For this reason, some materials, options and specifications could change without notice.

Since the 1960s we have been producing lift trucks designed to last and built to perform in some of the toughest environments in the world.

Today those brand values of ruggedness, durability and serviceability are at the core of our complete range of lift truck and warehouse equipment.

Together with our dealer network we are dedicated to providing customers with comprehensive materials handling solutions and cost-effective machine selection.

Our 'off the shelf' parts availability in excess of 95% is the highest in the industry and is supported by online access to our other centralized departments in the USA, Singapore and Japan to provide a truly global service.

We offer a variety of warranties and maintenance contracts tailored to your specific needs. Factory-trained service technicians respond quickly and efficiently when required, to keep your materials handling operation running smoothly and profitably.

To help spread the cost of ownership we also provide a full range of finance and rental options.

For customers with continental operations our 'International Fleet Sales & Services' department delivers the benefits of the global Cat Lift Trucks network, through a single point of contact.

For cost-effective solutions, or to find your nearest dealer, contact Cat Lift Trucks, your partner in materials handling.

NR14N2S NR14N2HS NR16N2S NR16N2HS NR16N2 NR16N2H NR16N2C NR16N2HC NR20N2H NR20N2X NR25N2X

Specifications

Reach Trucks 1.4 - 2.5 tonnes



Model	Battery Capacity	Battery Weight	4.33 (1000x1200mm crosswise)		4.34 (800x1200mm lengthwise)		L4	L2	L1	x
			Ast	Ast3	Ast	Ast3				
NR14N2S	Ah	kg	mm	mm	mm	mm	mm	mm	mm	mm
	465	700	2466	2750	2666	463	1254	2404	281	
	620	900	2740	2538	2816	2738	391	1326	2476	209
NR14N2HS	775	1100	2798	2610	2883	2810	319	1398	2548	137
	620	900	2748	2548	2825	2748	382	1336	2486	199
	775	1100	2806	2620	2892	2820	310	1408	2558	127
NR16N2S	465	700	2684	2466	2750	2666	463	1254	2404	281
	620	900	2740	2538	2816	2738	391	1326	2476	209
	775	1100	2798	2610	2883	2810	319	1398	2548	137
NR16N2HS	620	900	2748	2548	2825	2748	382	1336	2486	199
	775	1100	2806	2620	2892	2820	310	1408	2558	127
	465	700	2730	2502	2789	2702	510	1308	2458	327
NR16N2C	620	900	2799	2592	2872	2792	420	1398	2548	237
	620	900	2807	2602	2881	2802	410	1408	2558	228
NR16N2	465	700	2693	2463	2751	2663	513	1254	2404	331
	620	900	2748	2535	2817	2735	441	1326	2476	259
	775	1100	2804	2607	2883	2807	369	1398	2548	187
NR16N2H	620	900	2755	2545	2826	2745	432	1336	2486	249
	775	1100	2812	2617	2892	2817	360	1408	2558	177
	620	900	2784	2536	2830	2736	582	1336	2486	399
NR20N2H	775	1100	2837	2608	2895	2808	510	1408	2558	327
	930	1300	2892	2680	2961	2880	438	1480	2630	255
	620	900	2805	2560	2853	2760	572	1346	2496	389
NR20N2X	775	1100	2858	2632	2918	2832	500	1418	2568	317
	930	1300	2913	2704	2984	2904	428	1490	2640	245
	620	900	2805	2560	2853	2760	572	1346	2496	389
NR25N2X	775	1100	2858	2632	2918	2832	500	1418	2568	317
	930	1300	2913	2704	2984	2904	428	1490	2640	245

