

# 220 Universal Mount

Stainless Steel Weigh Modules, VPG Tedeo-Huntleigh



Available in configurations with three or four mounting assemblies.  
Picture is a representation of actual product

The 220 universal mount is designed to be used with the VPG Tedeo-Huntleigh Model 220 load cell. The mount incorporates built-in jacking bolts to prevent damage to the load cell during installation. Its stainless steel construction is designed to be used in the harshest of environments.

## Load Cell Specifications

**Full scale Output:**  
2.0mV/V

**Bridge Resistance:**  
1,000 ohms, nominal

**Material/Finish:**  
Stainless steel

**Operating Temperature Range:**  
14°F to 104°F (-10°C to 40°C)

**Safe Overload:**  
150% at center loading point, full scale

**Rated Excitation:**  
5-10 VDC (15 V maximum)

**Total Error:**  
0.020% full scale

**Insulation Resistance:**  
2,000 megohms

**Seal Type:**  
Hermetically sealed, IP68

**Cable Length:**  
5 m (5,000 kg), 10 m (10,000 kg-20,000 kg) 20 m (30,000 kg)

**Cable Color Code:**

Blue .....	+ Excitation
Black.....	- Excitation
Green .....	+ Sense
Grey .....	- Sense
White .....	+ Signal
Red .....	- Signal

**Warranty:**  
One-year limited warranty

## Standard Features

- Capacities (per module): 5,000 kg-30,000 kg (11,023.1 lb-66,139.0 lb)
- Matched output load cells eliminate trimming
- 304 stainless steel construction
- Hermetically sealed, IP68 stainless steel load cells
- Easy load cell replacement
- Integral jacking/shipping bolts

## Applications

- Medium- to high-capacity tanks, bins and hoppers
- Washdown or corrosive applications
- Process control and batch weighing

## Complete Kit Includes

- 1 JB4SS NEMA Type 4X stainless steel signal trim junction box
- 3 or 4 220 stainless steel compression mounts
- 3 or 4 220 stainless steel hermetically sealed compression disk load cells
- 25 ft of our hostile environment EL147HE SURVIVOR® load cell cable

## Load Cell Certifications

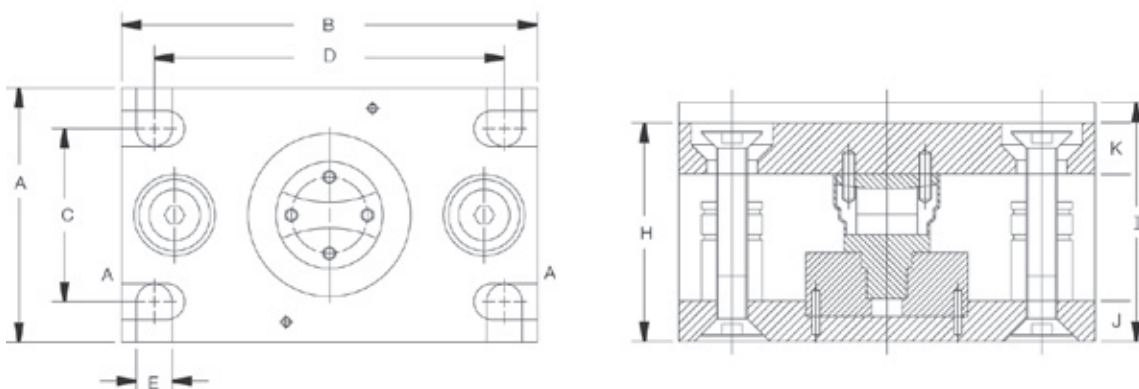


Module with hermetically sealed 220 compression load cell.



# 220 Universal Mount

Stainless Steel Weigh Modules, VPG Tedea-Huntleigh



## Dimensions

RATED CAPACITY	A	B	C	D	E	H	I	J	K
<b>kg/mm</b>									
5,000-10,000	127.00	203.00	90.00	170.00	18.00	107.00	118.00	19.05	25.4
20,000/30,000	152.00	245.00	115.00	208.00	24.00	148.00	156.00	31.75	25.4
<b>lb/inches</b>									
11,023.1	5.00	8.00	3.54	6.70	0.71	4.21	4.65	0.75	1.0
44,092.7/66,139.0	5.98	9.65	4.53	8.19	0.94	5.83	6.14	1.28	1.0

## Order Information

LOAD RATING (PER MODULE)	PART #	PRICE
<b>3-Module Kit (Includes Load Cell)</b>		
5,000 kg (11,023.1 lb)	66208	\$5,890.00
10,000 kg (22,046.3 lb)	66209	5,890.00
20,000 kg (44,092.7 lb)	66210	6,655.00
30,000 kg (66,139.0 lb)	66211	6,655.00
<b>4-Module Kit (Includes Load Cell)</b>		
5,000 kg (11,023.1 lb)	66212	7,780.00
10,000 kg (22,046.3 lb)	66213	7,780.00
20,000 kg (44,092.7 lb)	66214	8,950.00
30,000 kg (66,139.0 lb)	66215	8,950.00

## Replacement Mount Parts

LOAD RATING (PER MODULE)	PART #	PRICE
Saddle 5t-10t	170879	\$108.00
Rolling cylinder 5t-10t	170882	90.00
Load adaptor 5t	170880	95.00
Load adaptor 10t	170881	135.00
Rubber boot 5t-10t	171211	25.00
Saddle 20t-30t	170884	108.00
Rolling cylinder 20t-30t	170885	45.00
Load adaptor 20t-30t	170883	90.00
Rubber boot 20t-30t	171212	22.00