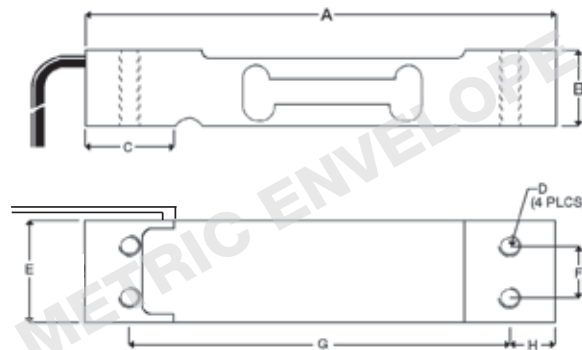


# RL1521A

Single Point, Aluminum NTEP Certified 1:5000 Class III Single Cell



Picture is a representation of actual product



## Specifications

**Full Scale Output:**  
2.0 mV/V

**Output Resistance:**  
350 (± 3) ohms

**Input Resistance:**  
410 (± 15) ohms

**Material/Finish:**  
Aluminum

**Temperature:**  
Compensated range  
14°F to 104°F/-10°C to 40°C  
Operating range  
-40°F to 150°F/-40°C to 65°C

**Safe Overload:**  
150% full scale

**Rated Excitation:**  
5-10 VDC (15 V maximum)

**Total Error:**  
0.03% full scale

**Insulation Resistance:**  
2,000 megohms

**Seal Type:**  
Environmentally sealed

**Cable Length:**  
1.50 ft (0.5 m)  
10 ft (3.1 m)

**Cable Diameter:**  
0.14 PVC jacket

**Cable Color Code:**  
Green ..... + Excitation  
Black..... - Excitation  
Red ..... + Signal  
White ..... - Signal

**Max Platform Size:**  
13.75 in x 13.75 in

**Warranty:**  
Two-year limited warranty

**Approvals:**



## Dimensions

RATED CAPACITY	A	B	C	D	E	F	G	H
<b>lb/inches</b>								
6.6-15.4	5.12	0.87	0.99	M6 x 1.0	1.00	0.59	4.17	0.47
22.0-66.2	5.12	0.87	0.99	M6 x 1.0	1.18	0.59	4.17	0.47
77.2	5.12	0.87	0.99	M6 x 1.0	1.57	0.59	4.17	0.47
<b>kg/mm</b>								
3-7	130.0	22.0	25.0	M6 x 1.0	25.4	15.0	106.0	12.0
10-30	130.0	22.0	25.0	M6 x 1.0	30.0	15.0	106.0	12.0
35	130.0	22.0	25.0	M6 x 1.0	40.0	15.0	106.0	12.0

## Order Information:

LOAD RATING	PART #	EST. SHIPPING WEIGHT	PRICE
<b>1.50 ft Cables</b>			
3 kg (6.6 lb)	50620	1 lb	\$140.00
5 kg (11 lb)	50619	1 lb	140.00
7 kg (15.4 lb)	50621	1 lb	140.00
10 kg (22 lb)	50622	1 lb	140.00
15 kg (33.1 lb)	50623	1 lb	140.00
20 kg (44.1 lb)	50624	1 lb	140.00
30 kg (66.1 lb)	50625	1 lb	140.00
35 kg (110.2 lb)	50626	1 lb	140.00
<b>10 ft Cables</b>			
3 kg (6.6 lb)	132261	3 lb	140.00
5 kg (11 lb)	132262	3 lb	140.00
7 kg (15.4 lb)	132263	3 lb	140.00
10 kg (22 lb)	132264	3 lb	140.00
15 kg (33.1 lb)	132265	3 lb	140.00
20 kg (44.1 lb)	132266	3 lb	140.00
30 kg (66.1 lb)	132267	3 lb	140.00
35 kg (110.2 lb)	132268	3 lb	140.00

## Interchangeable Products

MANUFACTURER	MODEL	PAGE #
VPG Celtron®	LPS except 3 kg	211
VPG BLH®	C2G1	—
Fairbanks®	4900 Series Checkweighers	—
NMB®	C2G1	—
VPG Tedeo-Huntleigh®	1022	334
Artech®	61022	—