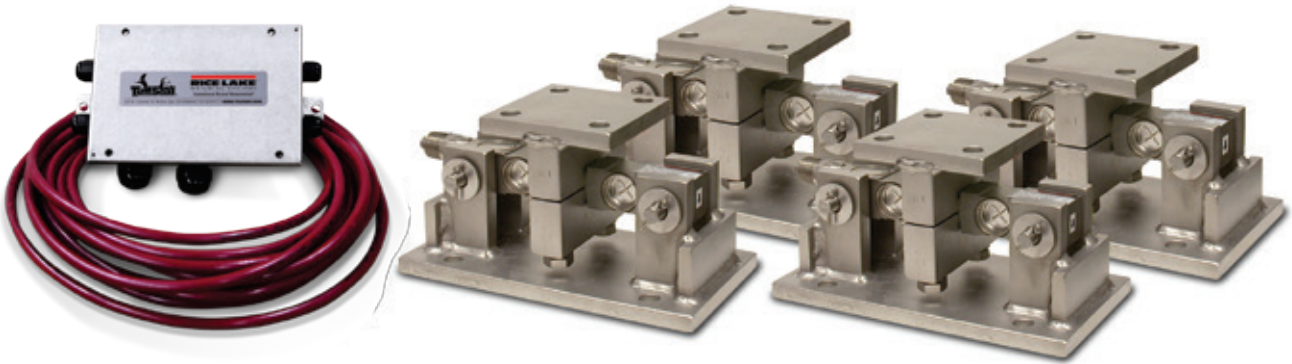


RL1600 HE

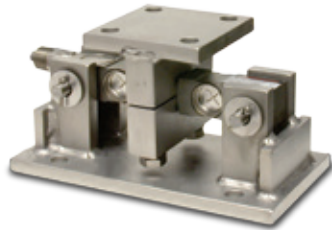
Medium-capacity Weigh Modules



Available in configurations with three or four mounting assemblies.
Picture is a representation of actual product

The RL1600 HE mounting module kit utilizes several Rice Lake Weighing Systems components to provide an unmatched level of performance in tank and hopper weighing applications. The RL1600 HE kit is ideally suited for indoor and outdoor process control operations in the medium-capacity ranges. Each module incorporates self-checking capabilities for thermal expansion and contraction.

Fabricated stainless steel module with
RL75016WHE double-ended beam load cell.



Standard Features

- Capacities (per module): 1,000 lb-25,000 lb (453.6 kg-11,339.8 kg)
- All stainless steel construction
- Self-checking, easy-to-use design allows module to be bolted directly to tank leg without requiring additional mounting plates or load buttons
- Hermetically sealed IP66/69K protected load cells
- Double-ended shear beam design, center loaded

Applications

- Medium-capacity tanks, bins and hoppers
- Bulk material management
- Ingredient batching, mixing and blending

Complete Kit Includes

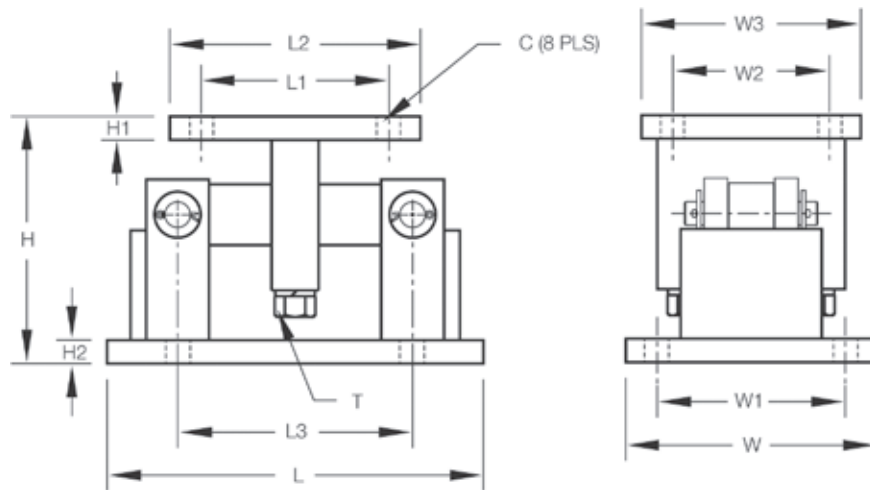
- 1 JB4SS NEMA Type 4X stainless steel signal trim junction box
- 3 or 4 RL1600 stainless steel compression mounts
- 3 or 4 RL75016WHE stainless steel, hermetically sealed double-ended shear beam load cells
- 25 ft of our hostile environment EL147HE SURVIVOR® load cell cable

Load Cell Certifications



RL1600 HE

Medium-capacity Weigh Modules



Dimensions

RATED CAPACITY	C	H	H1	H2	L	L1	L2	L3	T	W	W1	W2	W3
lb/inches													
1,000-5,000	0.56	5.00	0.50	0.50	9.25	2.75	4.00	6.25	1/2-13 UNC	5.00	3.75	2.75	4.00
10,000-25,000	0.78	7.87	0.75	0.75	12.00	6.00	8.00	7.50	3/4-10 UNC	8.00	6.00	6.00	8.00
kg/mm													
453.6-2,268.0	14.2	127.0	12.7	12.7	235.0	69.9	101.6	158.8	1/2-13 UNC	127.0	95.3	69.9	101.6
4,535.9-11,339.8	19.8	199.9	19.1	19.1	304.8	152.4	203.2	190.5	3/4-10 UNC	203.2	152.4	152.4	203.2

Order Information

LOAD RATING (PER MODULE)	PART #	PRICE
3-Module Kit		
1,000 lb (453.6 kg)	46723	\$3,895.00
1,500 lb (680.4 kg)	119673	3,895.00
2,000 lb (907.2 kg)	119675	3,895.00
2,500 lb (1,134.0 kg)	46724	3,895.00
5,000 lb (2,268.0 kg)	46725	3,895.00
10,000 lb (4,535.9 kg)	46726	5,495.00
15,000 lb (6,803.9 kg)	46727	5,495.00
20,000 lb (9,071.9 kg)	84664	5,495.00
25,000 lb (11,339.8 kg)	46728	5,495.00
4-Module Kit		
1,000 lb (453.6 kg)	46729	4,910.00
1,500 lb (680.4 kg)	119674	4,910.00
2,000 lb (907.2 kg)	119676	4,910.00
2,500 lb (1,134.0 kg)	46730	4,910.00
5,000 lb (2,268.0 kg)	46731	4,910.00
10,000 lb (4,535.9 kg)	46732	7,305.00
15,000 lb (6,803.9 kg)	46733	7,305.00
20,000 lb (9,071.9 kg)	84665	7,305.00
25,000 lb (11,339.8 kg)	46734	7,305.00

Order Information

LOAD RATING (PER MODULE)	PART #	PRICE
Single Module (Does Not Include Load Cell)		
1,000-5,000 lb (453.6-2,268.0 kg)	17813	\$565.00
10,000-25,000 lb (4,535.9-11,339.8 kg)	17815	1,095.00
Dummy Load Cells (Mild Steel)		
1,000-5,000 lb (453.6-2,268.0 kg)	18236	20.00
10,000-25,000 lb (4,535.9-11,339.8 kg)	18237	35.00

Shims*

	PART #	PRICE
1,000 lb-5,000 lb		
0.0625	150852	\$3.25
0.125	150853	8.50
0.250	150854	14.25
10,000 lb-25,000 lb		
0.0625	150855	12.75
0.125	150856	20.50
0.250	150857	57.00
50,000 lb-75,000 lb		
0.0625	150858	16.25
0.125	150859	26.25
0.250	150861	72.25

*Shims match the top plate