

MagnaMount®

Tank, Truck and Railroad Track Assembly

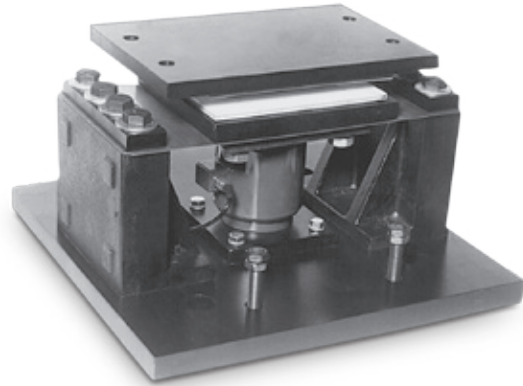
Applications

- Truck scale mount*
- Heavy-capacity horizontal tanks*
- Railroad track mount*

Standard Features

- Capacities: 50,000, 100,000 and 200,000 lb (22,679.6, 45,359.4 and 90,718.7 kg)
- Protects load cell from shock and side loads
- Low-profile design
- High-strength load bearing plate made of high-grade carbon steel hardened to Rockwell C 48-54
- PTFE-coated shock absorbing pads
- Compatible with VPG® Revere CP and CSP and Rice Lake Weighing Systems' RLCSP1 NTEP Certified load cells

*Check rods required



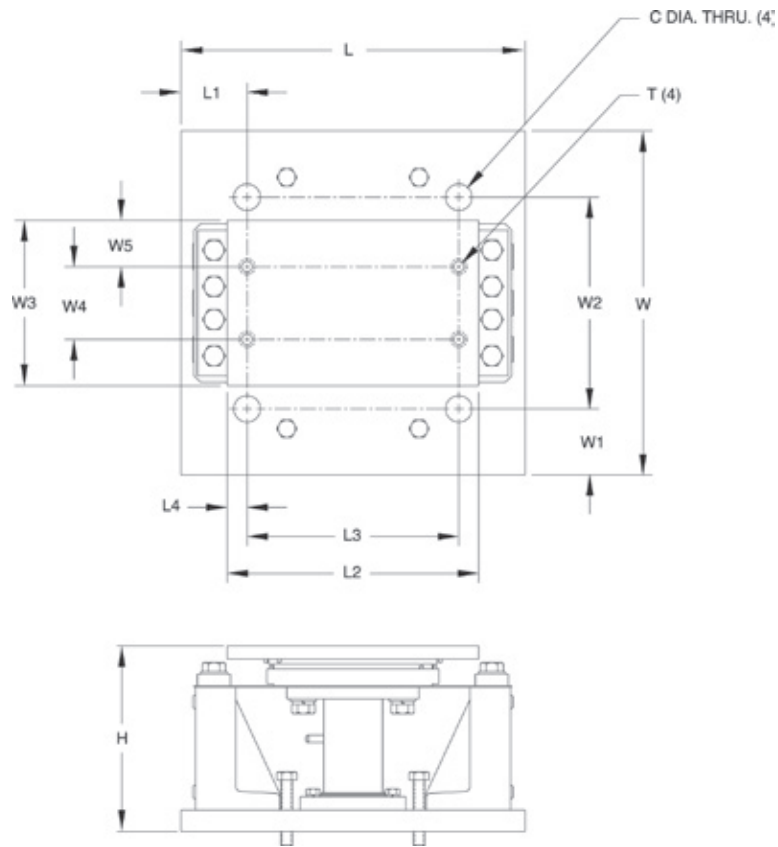
Mount only; does not include load cell

Picture is a representation of actual product

The Magna Mount tank, truck and railroad scale assembly is designed for use with Rice Lake Weighing Systems' RLCSP1 or VPG Revere CP or CSP load cells. The shielded-cell load cell mounting assembly is a highly reliable design that shields the load cell from shock and side load effects, assuring accurate weighing even under adverse loading conditions.

MagnaMount®

Tank, Truck and Railroad Track Assembly



Dimensions

RATED CAPACITY	C	H	L	L1	L2	L3	L4	T	W	W1	W2	W3	W4	W5
lb/inches														
50,000	1.25	7.39	13.00	1.75	11.25	8.50	1.37	3/4-10 UNC	12.00	1.75	8.50	8.00	4.50	1.75
100,000	1.50	11.29	20.00	2.50	18.00	15.50	1.25	7/8-9 UNC	17.00	2.50	12.00	9.00	5.50	1.75
200,000	2.00	14.10	26.00	5.00	19.00	16.00	1.50	1-8 UNC	26.00	5.00	16.00	12.50	5.50	3.50
kg/mm														
22,679.6	31.8	187.7	330.2	44.5	285.8	241.3	34.8	3/4-10 UNC	304.8	44.5	215.9	203.2	114.3	44.5
45,359.4	38.1	286.8	508.0	63.5	457.2	393.7	31.8	7/8-9 UNC	431.8	63.5	304.8	228.6	139.7	44.5
90,718.7	50.8	358.1	660.4	127.0	482.6	406.4	38.1	1-8 UNC	660.4	127.0	406.4	317.5	139.7	88.9

Order Information

LOAD RATING (PER MODULE)	PART #	PRICE
50,000 lb (22,679.6 kg)	21723	\$1,395.00
100,000 lb (45,359.4 kg)	21724	1,695.00
200,000 lb (90,718.7 kg)	17974	2,495.00

Mount only; does not include load cell

See VPG Revere load cell model CP, and page 288 for NTEP Certified load cell model CSP specifications

See Rice Lake Weighing Systems' NTEP Certified load cell model RLCSP1