



**136-03** (Sizes 4" and Larger)  
(Full Internal Port)

MODEL

**636-03** (Sizes 6" and Larger)  
(Reduced Internal Port)

# Solenoid Control Valve



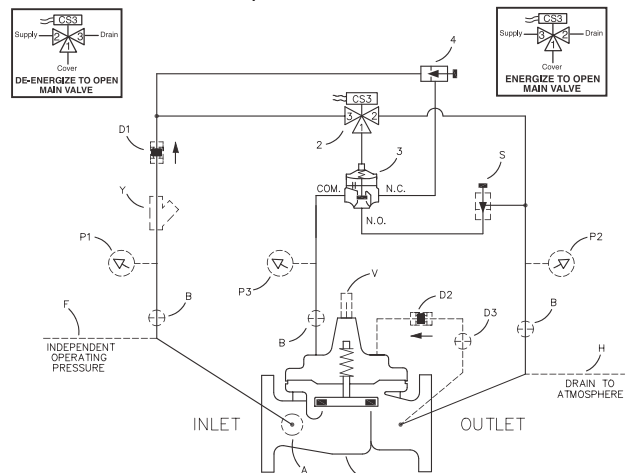
- **Fast Acting Solenoid Control**
- **Drip Tight Shut-Off**
- **Simple Design, Proven Reliable**
- **Optional Check Feature**
- **Easy Installation & Maintenance**

The Cla-Val Model 136-03/636-03 Solenoid Control Valve is an on-off control valve which either opens fully or closes drip-tight upon receiving an electrical signal to the solenoid pilot control. This valve consists of a Hytrol main valve, a three way solenoid and a high capacity three-way pilot valve. The solenoid control operates the three-way valve which alternately applies pressure to or relieves pressure from the diaphragm chamber of the main valve. It is furnished either normally open (de-energize solenoid to open) or normally closed (energize solenoid to open).

If the check feature option is added and a pressure reversal occurs, the downstream pressure is admitted into the main valve cover chamber and the valve closes to prevent return flow.

## Schematic Diagram

Item	Description
1	100-01 Hytrol Main Valve
2	CS3 Solenoid Control
3	102C-3H Three-Way Valve
4	CNA Needle Valve (Closing)



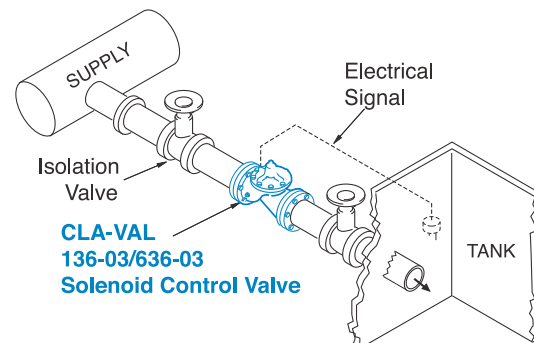
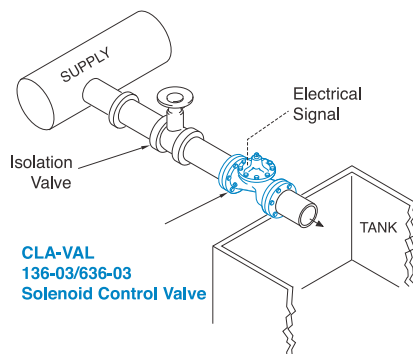
## Optional Features

Item	Description
A	X46 Flow Clean Strainer
B	CK2 Isolation Valve
D	Check Valves With Isolation Valve
F	Independent Operating Pressure
H	Atmospheric Drain
P	X141 Pressure Gauge
S	CNA Needle Valve (Opening)
V	X101 Valve Position Indicator
Y	X43 "Y" Strainer

## Product Dimensions Data:

For the 136-03 Main Valve (100-01) dimensions, see pages 17.  
For the 636-03 Main Valve (100-20) dimensions, see pages 29.

## Typical Applications



Industrial uses for the solenoid control valve are many and include accurate control of process water for batching, mixing, washing, blending or other on-off type uses.

Liquid level control can be provided by using a float switch or electrode probe which sends an electrical signal to open or close the valve as needed.