

# PRESSURE<sup>TM</sup> handler



**Pressure Handler<sup>TM</sup> - ATM**

## SPECIFICATIONS

	Pressure Handler <sup>TM</sup> - ATM
	<b># 870000</b>
Max Liquid Temp - °F (°C)	170 (76.7)
Max Liquid Pressure - PSIG (BARG)	Atmospheric
Control Air Min - PSIG (BARG)	80 (5.5)
Control Air Max - PSIG (BARG)	130 (9.0)
Ht - " (cm)	11 (27.9)
Width - " (cm)	10-3/4 (27.3)
Depth (Inlet/BV) - " (cm)	13-1/2 (34.3)
Inlet/Outlet - " NPT	1/2
Control Air - " NPT	1/4
Balance Line - " NPT	N/A
Capacity	Varies with pressure/piping
Weight - LBS (KG)	22 (10.0)

**Drain-All Quality System is ISO 9001:2000 Certified**

United States Patents  
4,444,217 4,562,855 4,574,829 5,004,004 5,014,735



**Drain-All, Inc.**  
PO Box 609  
1170 Topside Road  
Louisville, TN, USA 37777

Phone: 865-970-9290  
Fax: 865-977-6658  
E-mail: [Info@Drain-All.com](mailto:Info@Drain-All.com)  
WEB SITE: [Drain-All.com](http://Drain-All.com)

## INTRODUCTION

Drain-All, Inc., is an engineering, manufacturing and marketing company, with an ISO 9002 certified quality system. Drain-All, Inc. provides unique, high quality, reliable product solutions for draining and moving liquids such as: (1) condensate removal from compressed air systems, (2) oils and lubricants from manufacturing or test equipment, and (3) liquids from atmospheric and vacuum systems.

In 1982 Drain-All, Inc. developed a world class automatic liquid drain valve and was granted several patents on that design. Not only are these patents still current today, they are being expanded and new ones are being added to provide an ever broadening range of application solutions.

Drain-All products are industrially robust, require little maintenance and since they do not require any electrical connections, can be easily installed on equipment at any point in a system. These patented devices are backed by an excellent warranty and a strong technical support staff who are available to assist customers in developing engineered solutions for all of their liquid drainage problems. The Drain-All, Inc. product line includes a wide array of products, options and accessories which enable customers to customize their particular liquid drainage systems. A world-wide network of full service Drain-All distributors has been established who are dedicated to providing outstanding local sales and service support.





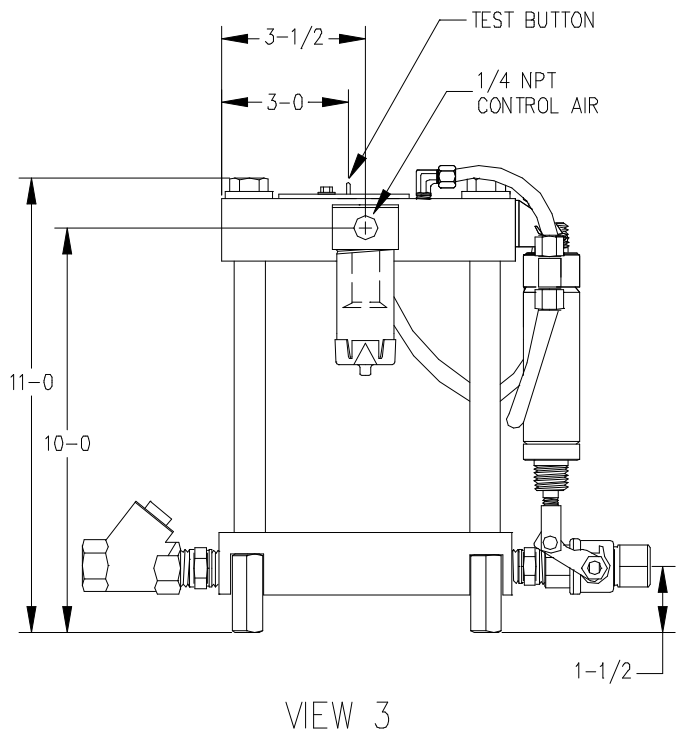
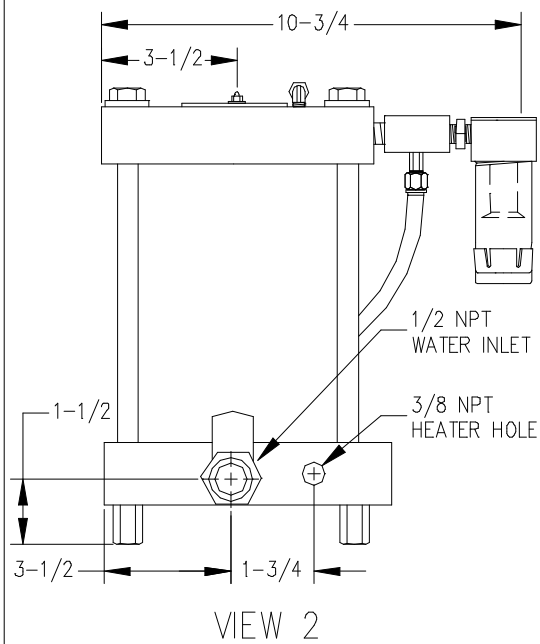
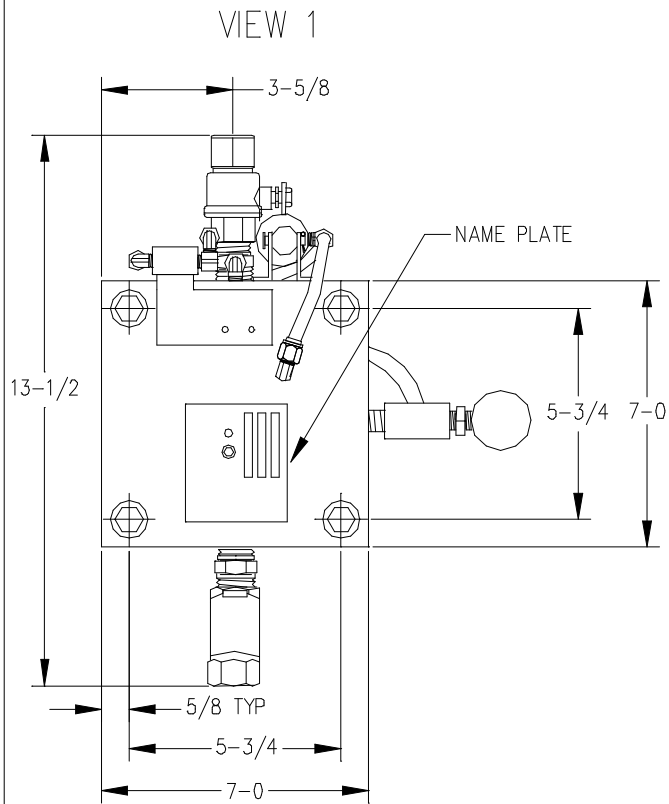
# PRESSURE HANDLER™ - ATM

## PARTS & MATERIALS OF CONSTRUCTION

CODE	PART #	ITEM	DESCRIPTION/REMARKS	Qty
1	300775	Valve Attachment Kit	Includes: (1) Valve Attachment Bracket-Stainless Steel (2) Screws-Zinc Plated Steel (2) Screws,Self Tapping- Zinc Plated Steel (2) Nuts-Zinc Plated Steel	1
2	300760	3-Way Valve, 1/8" NPT Ports	Black Enamel Finished Aluminum	1
3	301000	Elbow Fitting, 1/8" NPT - 1/4" Tube	Brass	4
4	300128	Elbow Fitting, 1/8" NPT	Brass	1
5	301215	Port Screen, 1/8" NPT	Coated Steel Body, Bronze Screen	1
6	101000	Screen Kit Assembly	Brass Tee, Aluminum disk, (2) SS Screens	1
7	350351	Control Air Tube, 1/4" Dia x 3.375" L	Nylon	1
8	350354	Control Air Tube, 1/4" Dia x 4.0" L	Nylon	1
9	350352	Control Air Tube, 1/4" Dia x 7" L	Nylon	1
10	350357	Control Air Tube, 1/4" Dia x 10" L	Nylon	1
11	302500	Screw, Self-Tapping, #10 x 5/8" L	Zinc Plated Steel	1
12	302806	Name Plate	Aluminum	1
13	300600	Push to Test Button, 0.380" Dia x 1.265" L	Brass	1
14	300700	Control Air Filter Assembly, 1/4" NPT	Aluminum Head, Polycarbonate Bowl, Push Drain	1
15	300800	Hex Nipple, 1/4" NPT, 1-1/8" L	Brass	1
16	301127	Tee Fitting, 1/4" NPT	Brass	1
17	170100	Head, 7"x7"x1-1/2", 0.150" Groove	6061-T6 Aluminum	1
18	300301	Cylinder Mount Kit	Includes: (2) Brackets-Electroless Nickel Plated (4) Screws-Zinc Plated Steel (1) Mount Pin-Electroless Nickel Plated (1) Cotter Pin-Stainless Steel	1
19	301210	Elbow Fitting, 1/4" NPT - 1/4" Tube	Brass	1
20	302210	Valve Stem O-ring, 0.235" ID x 0.069" T	Viton, Brown	1
21	100730	Valve Stem, 0.363" Dia x 2.235" L	O-ring Seal, 6061-T6 Aluminum	1
22	400100	Inner Magnet, 0.895" Dia x 1.450" L	Ceramic with Viton Ends and Covering	1
23	302215	Center Tube O-ring, 1.096" ID x 0.069" T	Viton, Brown	1
24	200170	Center Tube, 1.150" Dia x 4.500" L	O-ring Seal, 6061-T6 Aluminum	1
25	302270	Hex Bolt, 1/2" - 13 x 10" L	Zinc Plated Steel	4
26	301100	Tee Fitting, 1/8" NPT - 1/4" Tube	Brass	1
27	300300	Pneumatic Cylinder, 1.25" Dia	80 - 130 PSI, Stainless Steel Body and Rod, Aluminum Ends	1
28	100480	Float	Polyurethane, Bullet Shaped	1
29	302200	Sleeve O-ring, 5.519" ID x 0.137" T	Viton, Brown	2
30	100300	Sleeve, 6" ID x 7" L x .125" T	Epoxy Fiberglass, Translucent	1
31	301570	Washer, 1/2" SAE	Zinc Plated Steel	4
32	300292	Clevis and Pin Kit	Includes: (1) Clevis-Electroless Nickel Plated (1) Clevis Pin-Electroless Nickel Plated (1) Cotter Pin-Stainless Steel	1
33	100800	Control Lever, 1.625" L x 0.500" W x 0.125" T	Stainless Steel for 1/2" NPT Ball Valve	1
34	300250	Check Valve, 1/2" NPT	Brass	1
35	300900	Hex Nipple, 1/2" NPT, 1-1/2" L	Brass	2
36	170200	Base, 7"x7"x1-1/2", 1/2" NPT, 0.150" Groove	6061-T6 Aluminum	1
37	300205	Heavy Duty Ball Valve, 1/2" NPT	Double O-ring Viton Stem Seals, Nickel Plated Brass	1
38	302370	Coupling Nut, 1/2" - 13 x 1-3/4" L	Zinc Plated Steel	4
39	351135	Installation Kit	Includes: (1) Needle Valve-Brass (1) Elbow Fitting-Brass	1
40				
41				



# PRESSURE HANDLER™ - ATM DIMENSIONAL PRINT



122398PHATMDP