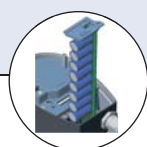




options

**Rugged Display**

with operating buttons

**SAFEPOS**

energy-pack

**Type 3361**

Globe control valve

**Fieldbus**

Electromotive 2 way diaphragm on/off valve

- Safety position with energy pack
- Fast shut off
- Adjustable force for increased diaphragm lifetime
- Various diaphragms, stainless steel and plastic bodies available
- Diagnostic functions and fieldbus integration

 powered by
EDIP

The innovative diaphragm on/off valve Type 3323 is the solution when it comes to on/off control in areas with media contact such as the Food and Beverage, Cosmetic, Pharma and Biopharma Industry.

The electromotive actuator with ball screw shuts the diaphragm valve quasi delay free with – for electromotive valves – unique speed of 4 mm/s within 1.5 to 4.5 seconds. If necessary, the safety position can be realized with optional energy storage in case of power failure.

Pressure variations or shocks in the medium aren't transferred to the valve position. Many helpful functions for process monitoring, valve diagnostics and predictive maintenance can be used. Beside the mechanical position indication a 360°- LED illuminated ring displays valve position and information about warnings or errors. Communication is possible with both analogue signals and modern fieldbus systems.

Trusted valve bodies and diaphragms ensure media separation with minimum dead leg and are easy to clean. Demanding environments are no problem for Type 3323 with its high IP-protection and high resistance to vibration and shocks. Hygienic design allows a fast and residue-free exterior cleaning.

The actuator force can be exactly adjusted for the operating conditions to optimize diaphragm life.

| Technical data | |
|---|--|
| Port connection size | DN8 - DN50 (1/4" - 2") |
| Diaphragm size | 8 - 40 |
| Body material | |
| Stainless steel | forged 316L/1.4435/BN2 tube 316L/1.4435/BN2 cast, tank bottom and T-body on request |
| Plastic | PVC (Polyvinyl chloride) PP (Polypropylene) PVDF (Polyvinylidene fluoride) |
| Port connections stainless steel | |
| Weld ends | ASME BPE / DIN 11866 C DIN EN ISO 1127/ISO 4200/DIN11866 B DIN 11850 2/DIN11866 A BS4825 SMS 3008 DIN 11850 0 |
| Clamps | ASME BPE DIN 32676 A (with pipe DIN 11850 2) DIN 32676 B (with pipe ISO 4200) further port connections on request |
| Port connections plastic | True union (solvent), true union (weld), weld ends and solvent sockets |
| Surface finish - forged | |
| internally electropolished | Ra ≤ 0.38 µm (ASME BPE SF4) |
| internally mechanically polished | Ra ≤ 0.5 µm (ASME BPE SF1) |
| Surface finish - tube body | |
| internally electropolished | Ra ≤ 0.38 µm (ASME BPE SF4) |
| Materials | |
| Diaphragm materials | EPDM (AB), PTFE/EPDM (EA), EPDM (AD), advanced PTFE/EPDM (EU), Gylon®/EPDM laminated (ER) , FKM (FF) |

Content

Technical data/dimensions

| | | | | | |
|-------------|-------|-----------|-------|--------------|-------|
| forged body | p. 11 | tube body | p. 14 | plastic body | p. 16 |
|-------------|-------|-----------|-------|--------------|-------|

Technical data, continued

| | |
|---|---|
| Medium temperature | |
| EPDM (AB), PTFE/EPDM (EA) | -10 to +130 °C (steam sterilisation +140 °C for 60 min) |
| EPDM (AD), advanced PTFE/EPDM (EU) | -5 to +143 °C (steam sterilisation +150 °C for 60 min) |
| Gylon®/EPDM laminated (ER) | -5 to +130 °C (steam sterilisation +140 °C for 60min) |
| FKM (FF) | 0 to +130 °C (not recommended for steam) |
| Media | Neutral gases and liquids, high-purity, sterile, aggressive or abrasive fluids |
| Viscosity | Up to viscous |
| Installation | As required, preferably with actuator in upright position |
| Ambient temperature | -10 to +65 °C* (without SAFEPOS energy storage) -10 to +55 °C* (with SAFEPOS energy storage) * depends on media temperature see temperature chart |
| Safety position at power failure | with SAFEPOS energy-pack: opened, closed or free programmable withouth SAFEPOS energy-pack: blocked in last position |
| Power supply | 24 V DC +/- 10% (max. residual ripple 10%) |
| Closure time | < 1.5 s to 4.5 s depending on diaphragm size |
| Travel speed | 4 mm/s |
| Duty cycle | 100% |
| Protection class | IP65 / IP67 |
| Binary control | 0-5 V (log. 0) 10-30V (log.1) |
| Digital control (fieldbus) | EtherNet/IP, Modbus/TCP, Profi net (on request) |

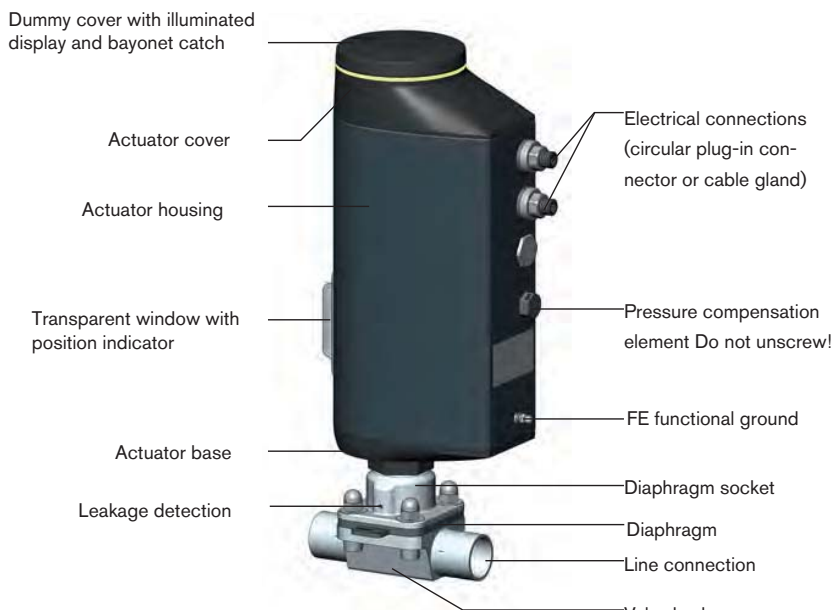
Structure and function

The electromotive linear actuator consists of a brushless direct current motor, gears and a threaded spindle. The valve spindle, which is connected to the threaded spindle, transfers the force to the diaphragm. The electronic control system is actuated either via a standard signal (digital) or via a fieldbus (digital). Optionally there is the energy pack (SAFEPOS energy-pack) for the device. If the supply voltage fails, the energy pack supplies the actuator with the required energy to move the valves into the required position which can be adjusted via a menu.

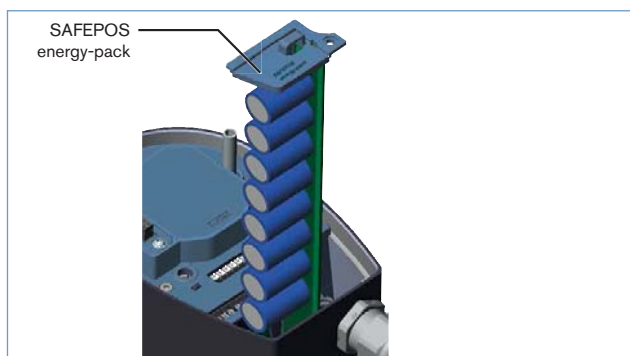
The valve position can be manually changed in 2 ways. Either over an electrical manual control or over mechanical manual control, if no supply voltage applied. The device can be set and operated either via 2 capacitive buttons and 4 DIP switches. There is also the option of setting the device via the bus Service interface and by using the PC software "Bürkert-Communicator".

The intelligent process valve Type 3323 offers options for process monitoring, valve diagnostics and predictive maintenance. The state of the device is monitored and if necessary warnings or error messages for inadmissible environmental and operational conditions, disfunctional components or a critical state of the energy storage are displayed.

For a good diaphragm lifetime the actuator force is adjusted according to diaphragm size by default. It can even be adapted according to the operational conditions for an optimum diaphragm cycle life.



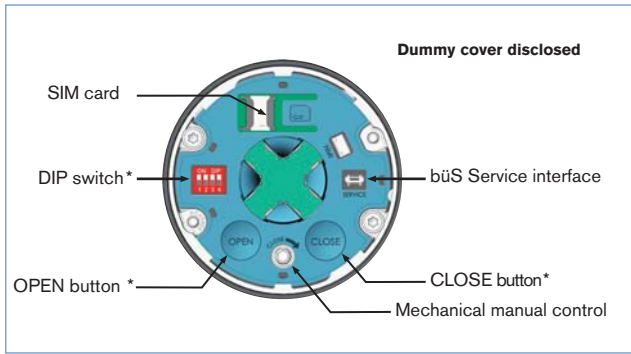
Structure, electromotive diaphragm control valve Type 3323 with 2-way body



Safety position with energy storage (Option)

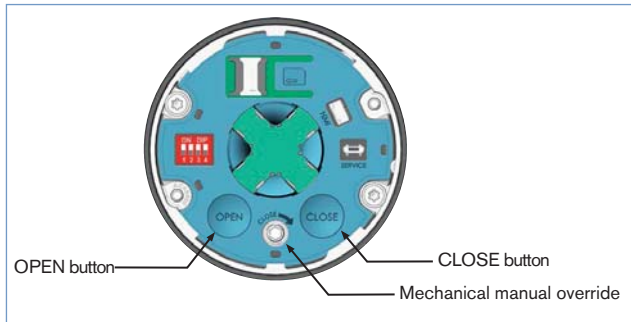
The safety positions in case of power interruption is realized by the optional energy-pack SAFEPOS. The desired position is adjusted in the menu. Here any intermediate position can be defined in addition to the end positions (NO / NC). The energy storage has a lifespan of up to 10 years, depending on the operating conditions. The power of the energy storage is monitored and a warning is displayed to indicate its life is coming to an end. The memory is designed as a plug-in module making it easy to exchange. Without energy storage the valve remains in the last position.

Controls and indicators



Devices without display module

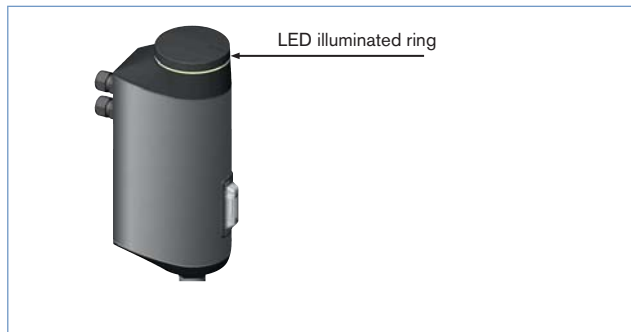
In the version without control display the basic functions are operated by 4 DIP switches and 2 pushbuttons. These are located under the dummy cover which can be removed manual by turning. Through the büS service access, the device can also be configured in detail with the Bürkert communicator software. For this, the optional USB-büS interface kit is required.



Manual and electrical operation

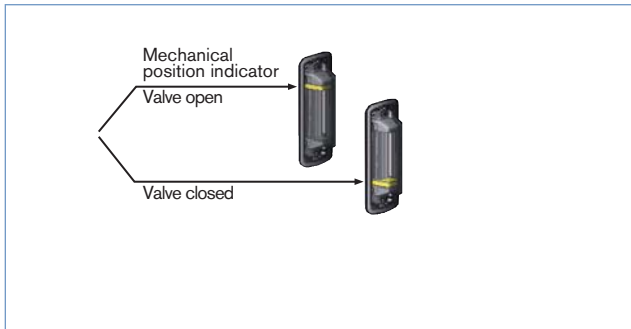
The manual override for mechanical operation of the valve is located under the dummy cover or the display module.

Electrical manual override for the procedure is carried out directly on the touch screen, or in the version without a display by two buttons below the dummy cover.



360°- LED Illuminated ring

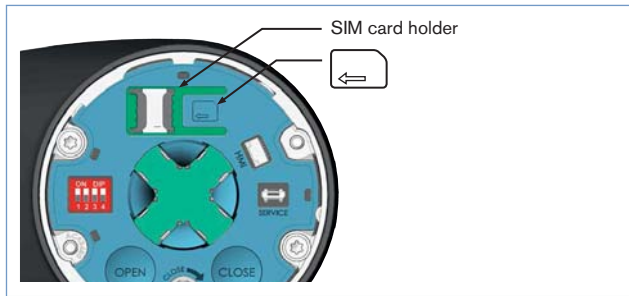
To display the device status, the valve end position and the operating condition, a visible 360° LED illuminated ring is mounted around the dummy cover or the display module. The LED ring lights up, flashes or flashes in one or different colors. Depending on customer requirements 4 different LED modes can be selected (Namur mode, valve mode without warnings, valve mode with warnings, LED off)



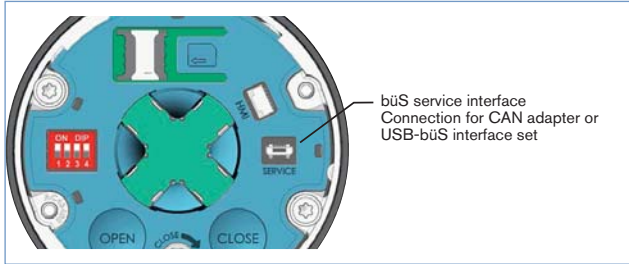
Mechanical position indicator

The mechanical position indicator also indicates when the supply voltage of the current valve position fails.

Controls and indicators, continued

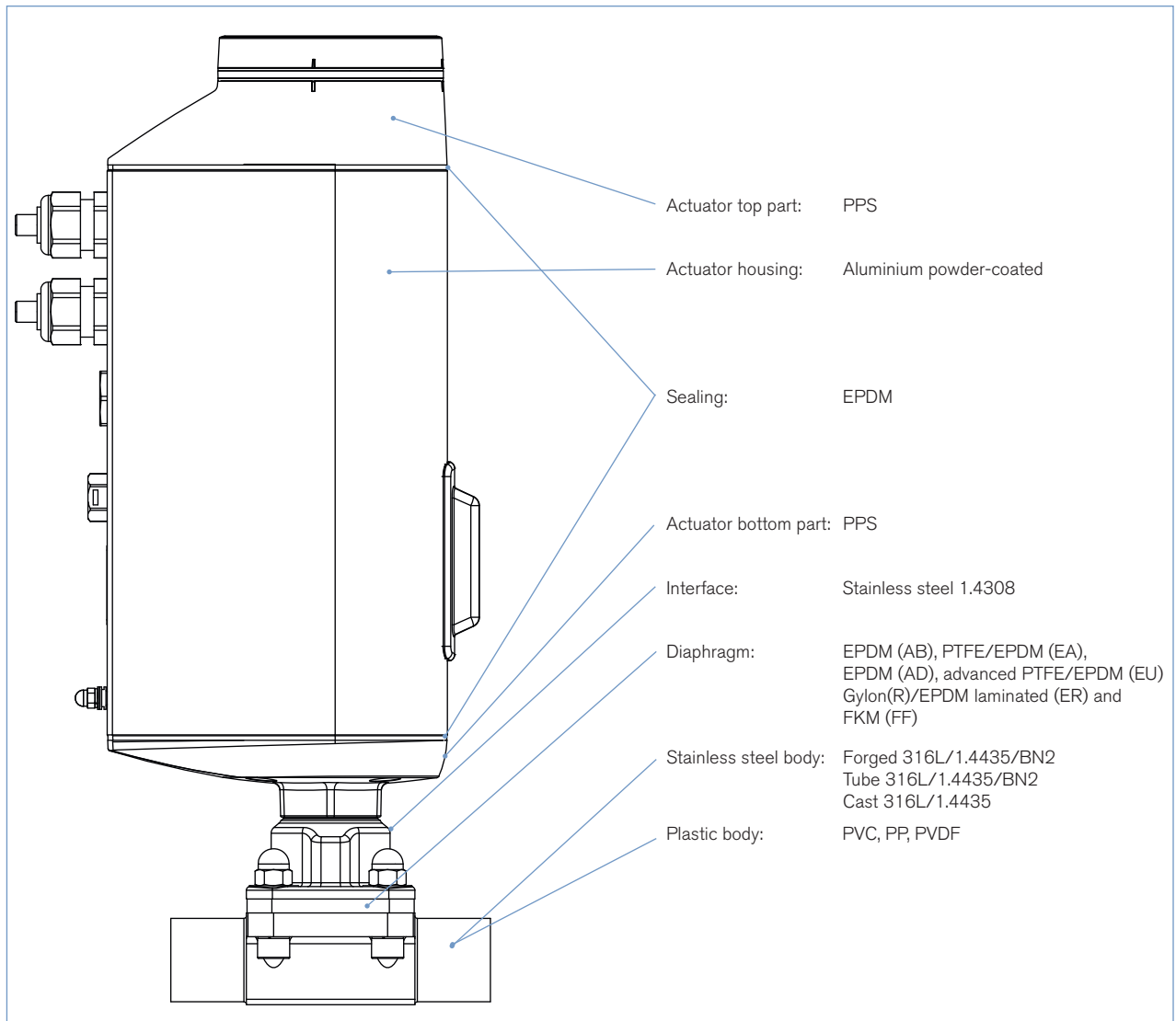
**SIM card as data storage (option)**

With the SIM card optional device-specific values and user settings can be saved and quickly transferred to another device.

**bÜS service interface**

The bÜS service interface connects the device to the communicator software on a PC, laptop or smartphone. From there, a configuration of the device or failure diagnosis can be performed.

Materials



Note: The depiction of the products may differ from the actual specific design (e.g. body material, and port connection)

Approvals

Suitability for foodstuffs / sterile applications



- The composition of the EPDM (AB), EPDM (AD), PTFE/EPDM (EA), advanced PTFE (EU) and GYLON®/EPDM laminated (ER) diaphragms corresponds to the Code of Federal Regulations, published by the FDA (Food and Drug Administration, USA).



- The composition of the EPDM (AB), EPDM (AD), PTFE/EPDM (EA), advanced PTFE (EU) and GYLON®/EPDM laminated (ER) diaphragms is suitable for the application with food and beverage (acc. to EC-Regulation 1935/2004/EC)



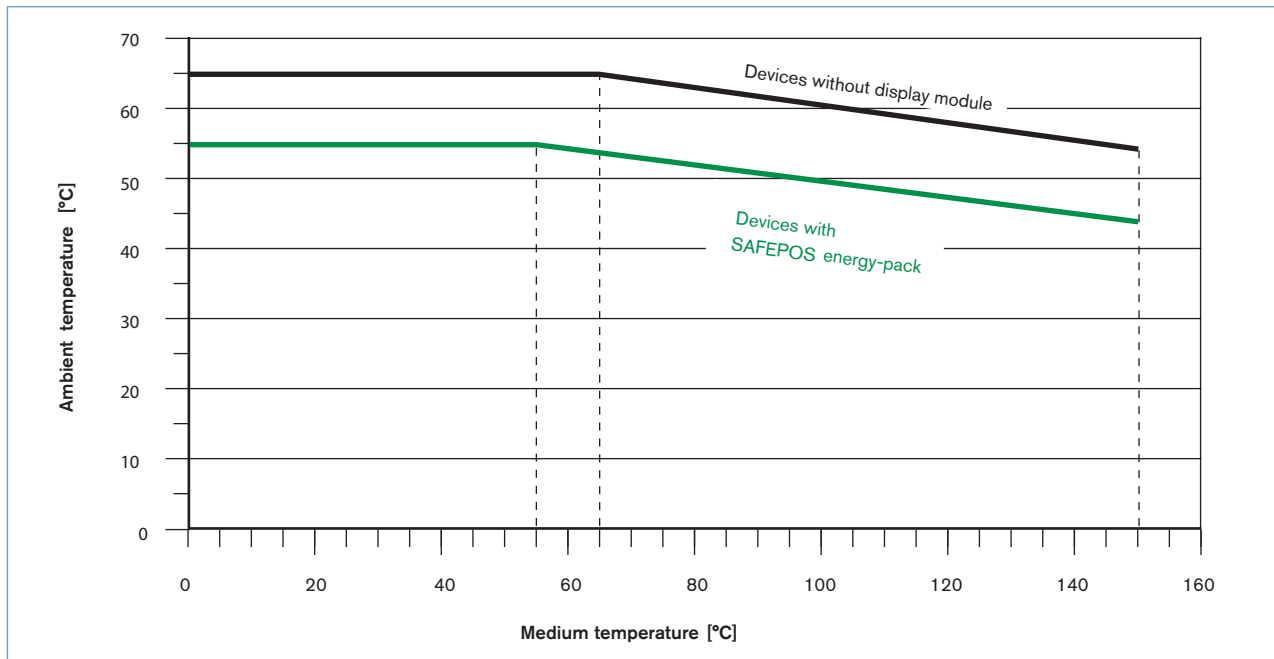
- The composition of the EPDM (AB), EPDM (AD), PTFE/EPDM (EA), advanced PTFE (EU) and GYLON®/EPDM laminated (ER) diaphragms are approved acc. USP Class VI

- The diaphragm valve with tube valve body and EPDM or PTFE has been evaluated for compliance with the *Hygienic Equipment Design Criteria* of the EHEDG

Technical data

Temperature chart

The maximum allowable ambient temperature and media temperature influence each other. The maximum allowable temperature curves of different device variants can be seen in the temperature chart.

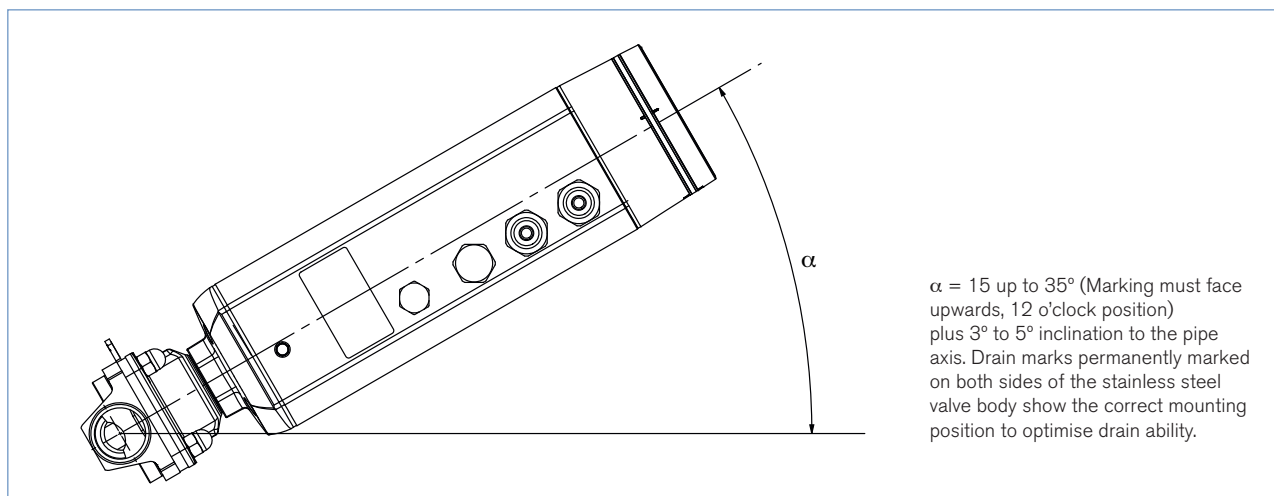


Pressure values

| Diaphragm size | Max. operating pressure [bar] | |
|----------------|-------------------------------|-----------------------------|
| | EPDM, FKM | PTFE, advanced PTFE, Gylon® |
| 8 | 10 | 10 |
| 15 | 10 | 10 |
| 20 | 10 | 10 |
| 25 | 10 | 10 |
| 32 | 8 | 5.5 |
| 40 | 4 | 2.5 |

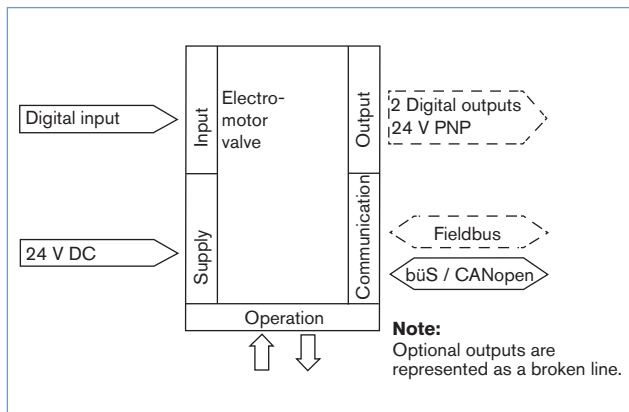
Pressure values: Overpressure to the atmospheric pressure, valve closes dynamical against max. operating pressure.

Installation for self-draining operation



Technical data, continued

| Electrical data | |
|--|--|
| Protection class | 3 acc. to DIN EN 61140 |
| Electrical connections | Cable gland, 2 x M20 or 2 circular plug-in connector M12, 5-pin and 8-pin |
| Operating voltage | 24 V DC \pm 10 % max. residual ripple 10 % |
| Operating current [A]* | max. 3 A including actuator at max. load and charging current of the optional SAFEPOS energy-pack (charging current approx. 1 A) |
| Lifelong energy storage SAFEPOS energy-pack | up to 10 years (depending on operating conditions) |
| Electronic without actuator [W]* | min. 2 W, max. 4 W |
| Control | |
| Output digital: | current limit 100 mA |
| Input digital: | 0...5 V = log „0“, 10...30 V = log „1“ inverted input reversed accordingly |
| Communication interface: | Connection to PC via USB bÜS interface set |
| Communication Software: | Bürkert communicator |

**Electrical control and interface**

The position of the actuator is regulated according to the position setpoint. The position setpoint value is specified either by an external standard signal (digital) or via a field bus (digital).

Digital Control

For digital control 2 variants are available for the inputs and outputs and the connection interface

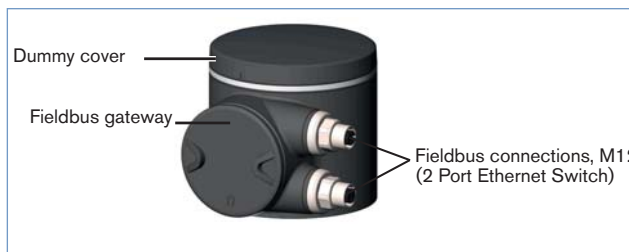
Input and output:

* 1 digital input, 2 digital output

Interface:

* cable gland with connection terminal

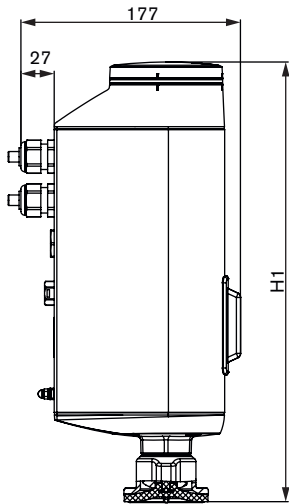
* M12 circular connectors (optional)

**Fieldbus: EtherNet/IP, PROFINET, Modbus TCP (option)**

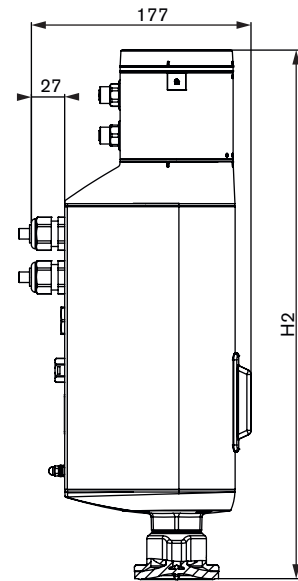
The Fieldbus Gateway for EtherNet / IP, PROFINET and Modbus TCP is integrated into a special module. It has 2 fieldbus connections with 4-pin M12 circular connectors. Under the gateway housing cover are the interfaces for the fieldbus connection and status LEDs. If there is a need to be include it in a network then the configuration of the Ethernet can be performed via the web server.

Dimensions [mm] - actuator

Standard



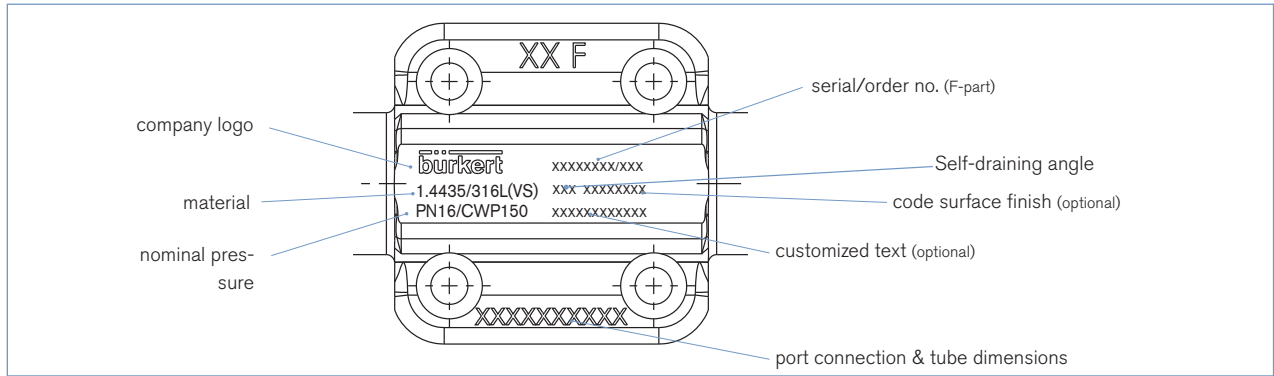
with fieldbus gateway



| Diaphragm size | Height [mm] | |
|----------------|-------------|-----|
| | H1 | H2 |
| 8 | 342 | 414 |
| 15 | 345 | 418 |
| 20 | 350 | 422 |
| 25 | 355 | 426 |
| 32 | 365 | 436 |
| 40 | 370 | 442 |

Technical data, forged body

Body label

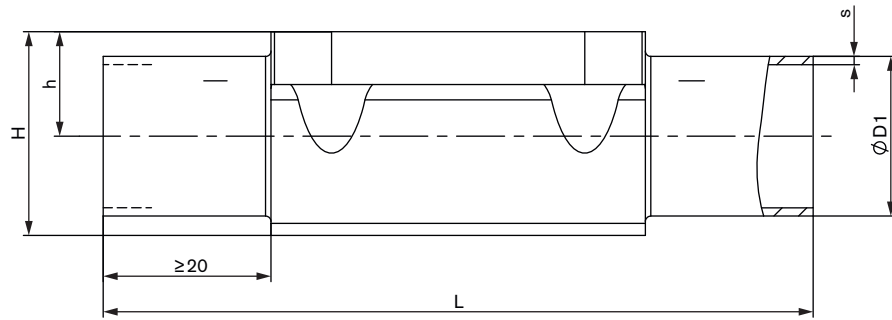


Kv values

| Port Connection DN | | Diaphragm size | Kv value [m³/h] | | | | | |
|--------------------|--------|----------------|--|----------------------------|-------------------------|-------------|--------|---------|
| [mm] | [inch] | | DIN EN ISO 1127 ISO 4200 DIN 11866 B | DIN 11850 2 DIN 11866 A | ASME BPE DIN 11866 C | DIN 11850 0 | BS4825 | SMS3008 |
| 6 | 1/8" | 8 | - | - | - | 1.1 | - | - |
| 8 | 1/4" | 8 | 1.5 | - | 0.7 | 1.7 | 0.5 | - |
| 10 | 3/8" | 8 | 1.5 | 1.5 | 1.6 | - | 1.4 | - |
| 15 | 1/2" | 8 | - | - | 1.5 | - | - | - |
| 10 | 3/8" | 15 | 5.5 | 3.5 | - | - | - | - |
| 15 | 1/2" | 15 | 6.5 | 6.5 | 3.1 | - | 3.7 | - |
| 20 | 3/4" | 15 | - | - | 6.5 | - | - | - |
| 20 | 3/4" | 20 | 12.5 | 12.4 | 8.4 | - | 8.9 | - |
| 25 | 1" | 25 | 18 | 20 | 15.5 | - | 15.5 | 16 |
| 32 | 1 1/4" | 40 | - | 34 | - | - | - | - |
| 40 | 1 1/2" | 40 | 41 | 40 | 37 | - | 37 | 38 |

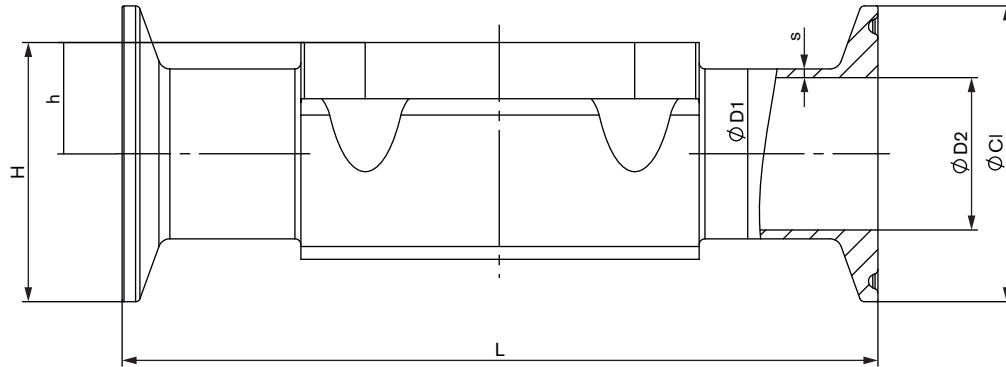
Flow rate: Kv value [m³/h] for elastomer diaphragms measured at 20°C and 1 bar pressure drop at mean operating pressure.

Dimensions [mm] forged body - weld end



| Port Connection DN | | Diaphragm Size | ØD1 | s | h | H | L |
|---|--------|----------------|-------|------|------|------|------|
| [mm] | [inch] | | [mm] | [mm] | [mm] | [mm] | [mm] |
| DIN EN ISO 1127 / ISO 4200 / DIN 11866 B | | | | | | | |
| 8 | 1/4" | 8 | 13.5 | 1.6 | 9 | 19 | 90 |
| 10 | 3/8" | 8 | 17.2 | 1.6 | 9 | 19 | 90 |
| 10 | 3/8" | 15 | 17.2 | 1.6 | 12 | 24 | 110 |
| 15 | 1/2" | 15 | 21.3 | 1.6 | 12 | 24 | 110 |
| 20 | 3/4" | 20 | 26.9 | 1.6 | 16 | 30 | 119 |
| 25 | 1" | 25 | 33.7 | 2.0 | 19 | 37 | 129 |
| 32 | 1 1/4" | 40 | 42.4 | 2.0 | 28 | 52 | 161 |
| 40 | 1 1/2" | 40 | 48.3 | 2.0 | 28 | 52 | 161 |
| DIN 11850 2 / DIN 11866 A | | | | | | | |
| 10 | 3/8" | 8 | 13.0 | 1.5 | 9 | 19 | 90 |
| 10 | 3/8" | 15 | 13.0 | 1.5 | 8 | 20 | 110 |
| 15 | 1/2" | 15 | 19.0 | 1.5 | 12 | 24 | 110 |
| 20 | 3/4" | 20 | 23.0 | 1.5 | 16 | 30 | 119 |
| 25 | 1" | 25 | 29.0 | 1.5 | 19 | 37 | 129 |
| 32 | 1 1/4" | 40 | 35.0 | 1.5 | 28 | 52 | 161 |
| 40 | 1 1/2" | 40 | 41.0 | 1.5 | 28 | 52 | 161 |
| ASME BPE / DIN 11866 C | | | | | | | |
| 8 | 1/4" | 8 | 6.35 | 0.89 | 6 | 15 | 78 |
| 10 | 3/8" | 8 | 9.53 | 0.89 | 6 | 15 | 89 |
| 15 | 1/2" | 8 | 12.70 | 1.65 | 9 | 19 | 89 |
| 15 | 1/2" | 15 | 12.70 | 1.65 | 8 | 20 | 108 |
| 20 | 3/4" | 15 | 19.05 | 1.65 | 12 | 24 | 108 |
| 20 | 3/4" | 20 | 19.05 | 1.65 | 16 | 30 | 117 |
| 25 | 1" | 25 | 25.40 | 1.65 | 19 | 37 | 127 |
| 40 | 1 1/2" | 40 | 38.10 | 1.65 | 28 | 52 | 159 |
| BS 4825 | | | | | | | |
| 8 | 1/4" | 8 | 6.35 | 1.20 | 6 | 15 | 78 |
| 10 | 3/8" | 8 | 9.53 | 1.20 | 6 | 15 | 89 |
| 15 | 1/2" | 15 | 12.70 | 1.20 | 8 | 20 | 108 |
| 20 | 3/4" | 20 | 19.05 | 1.20 | 16 | 30 | 117 |
| 25 | 1" | 25 | 25.40 | 1.65 | 19 | 37 | 127 |
| 40 | 1 1/2" | 40 | 38.10 | 1.65 | 28 | 52 | 159 |
| SMS 3008 | | | | | | | |
| 25 | 1" | 25 | 25.0 | 1.2 | 19 | 37 | 129 |
| 40 | 1 1/2" | 40 | 38.0 | 1.2 | 28 | 52 | 161 |
| DIN 11850 0 | | | | | | | |
| 6 | 1/8" | 8 | 8.0 | 1.0 | 6 | 15 | 90 |
| 8 | 1/4" | 8 | 10.0 | 1.0 | 6 | 15 | 90 |

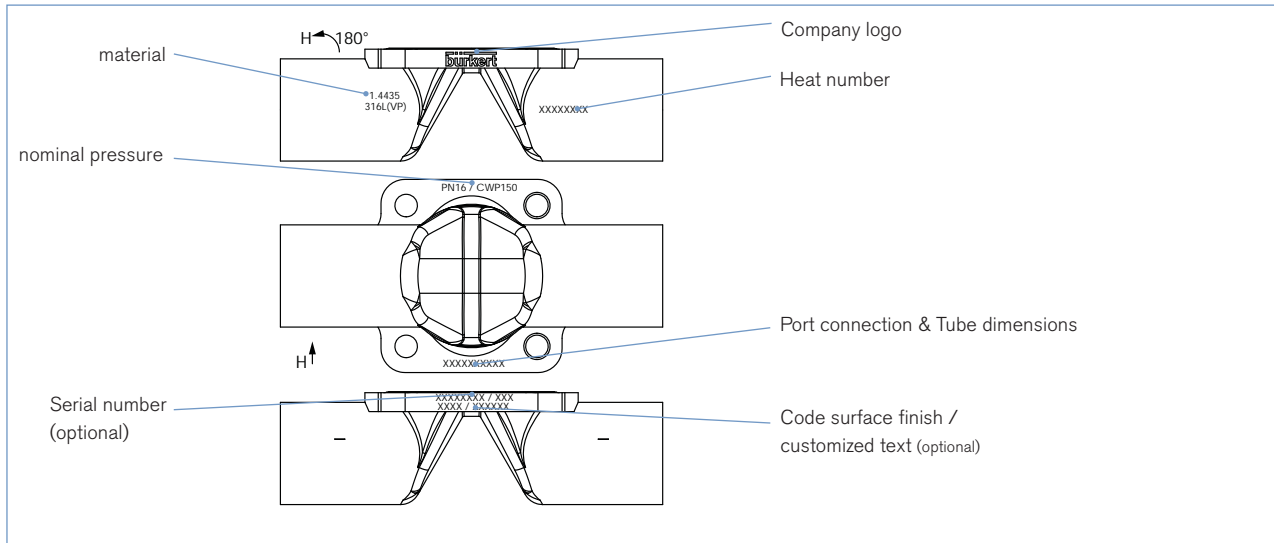
Dimensions [mm] forged body - clamp



| Port Connection DN | | Diaphragm Size | ØD1 | s | CI | ØD2 | h | H | L |
|--|--------|----------------|-------|------|------|-------|----|----|-----|
| [mm] | [inch] | | | | | | | | |
| DIN 32676 B with pipe EN ISO 4200 | | | | | | | | | |
| 15 | 1/2" | 15 | 21.3 | 1.6 | 50.5 | 18.1 | 12 | 37 | 167 |
| 20 | 3/4" | 20 | 26.9 | 1.6 | 50.5 | 23.7 | 16 | 41 | 114 |
| 25 | 1" | 25 | 33.7 | 2.0 | 50.5 | 29.7 | 19 | 44 | 129 |
| 40 | 1 1/2" | 40 | 48.3 | 2.0 | 64.0 | 44.3 | 28 | 60 | 161 |
| DIN 32676 A with pipe DIN 11850 2 | | | | | | | | | |
| 10 | 3/8" | 15 | 13.0 | 1.5 | 34.0 | 10.0 | 8 | 25 | 110 |
| 15 | 1/2" | 15 | 19.0 | 1.5 | 34.0 | 16.0 | 12 | 29 | 110 |
| 20 | 3/4" | 20 | 23.0 | 1.5 | 34.0 | 20.0 | 16 | 33 | 119 |
| 25 | 1" | 25 | 29.0 | 1.5 | 50.5 | 26.0 | 19 | 44 | 129 |
| 40 | 1 1/2" | 40 | 41.0 | 1.5 | 50.5 | 38.0 | 28 | 53 | 161 |
| ASME BPE | | | | | | | | | |
| 8 | 1/4" | 8 | 6.35 | 0.89 | 25.0 | 4.57 | 6 | 18 | 64 |
| 10 | 3/8" | 8 | 9.53 | 0.89 | 25.0 | 7.75 | 6 | 18 | 89 |
| 15 | 1/2" | 8 | 12.70 | 1.65 | 25.0 | 9.4 | 9 | 22 | 89 |
| 15 | 1/2" | 15 | 12.70 | 1.65 | 25.0 | 9.4 | 8 | 21 | 89 |
| 20 | 3/4" | 20 | 19.05 | 1.65 | 25.0 | 15.75 | 16 | 29 | 102 |
| 25 | 1" | 25 | 25.40 | 1.65 | 50.5 | 22.1 | 19 | 44 | 114 |
| 40 | 1 1/2" | 40 | 38.10 | 1.65 | 50.5 | 34.8 | 28 | 53 | 140 |

Technical data, tube body

Body label

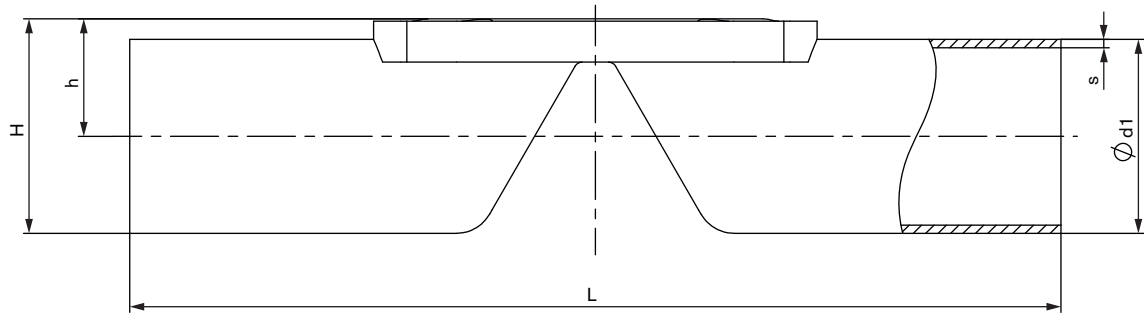


Kv values

| Port Connection DN | | Diaphragm size | Kv value [m ³ /h] | | |
|--------------------|--------|----------------|--|----------------------------|-------------------------|
| [mm] | [inch] | | DIN EN ISO 1127 ISO 4200 DIN 11866 B | DIN 11850 2 DIN 11866 A | ASME BPE DIN 11866 C |
| 8 | 1/4" | 8 | 2.1 | | - |
| 10 | 3/8" | 8 | | 2.1 | |
| 15 | 1/2" | 8 | - | | 2 |
| | | 15 | 6.7 | 6.5 | - |
| 20 | 3/4" | 15 | - | 6.5 | 6.5 |
| | | 20 | 13 | | - |
| 25 | 1" | 20 | - | 14 | 12.5 |
| | | 25 | 17.5 | | - |
| 32 | 1 1/4" | 25 | | 20 | - |
| | | 32 | 36 | | - |
| 40 | 1 1/2" | 32 | - | 35 | 30 |
| | | 40 | 47 | - | - |
| 50 | 2" | 40 | - | 44 | 40 |

Flow rate: Kv value [m³/h] for elastomer diaphragms measured at 20°C and 1 bar pressure drop at mean operating pressure.

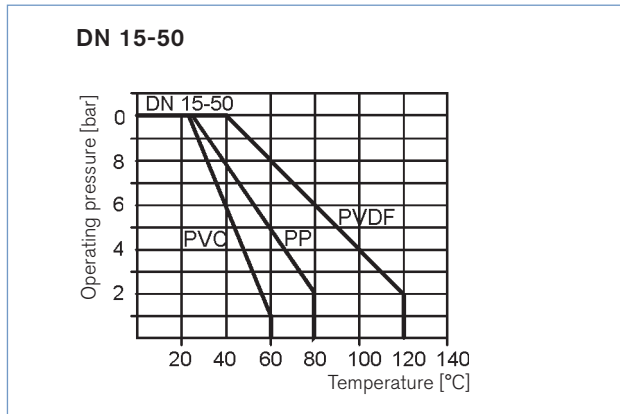
Dimensions [mm] tube body - weld end



| Port Connection DN | | Diaphragm Size | ØD1 | s | h | H | L |
|--|------|----------------|-------|------|------|------|-----|
| [inch] | [mm] | | | | | | |
| ASME BPE / DIN 11866 RC | | | | | | | |
| 1/2" | 15 | 8 | 12.7 | 1.65 | 9.5 | 15.8 | 90 |
| 3/4" | 20 | 15 | 19.05 | 1.65 | 13.2 | 22.8 | 117 |
| 1" | 25 | 20 | 25.4 | 1.65 | 16.4 | 29.1 | 127 |
| 1 1/2" | 40 | 32 | 38.1 | 1.65 | 23.0 | 42.0 | 159 |
| 2" | 50 | 40 | 50.8 | 1.65 | 30.6 | 56.0 | 190 |
| DIN EN ISO 1127 / ISO 4200 / DIN 11866 RB | | | | | | | |
| 1/4" | 8 | 8 | 13.5 | 1.6 | 9.9 | 16.6 | 90 |
| 1/2" | 15 | 15 | 21.3 | 1.6 | 14.4 | 25.0 | 110 |
| 3/4" | 20 | 20 | 26.6 | 1.6 | 17.2 | 30.5 | 119 |
| 1" | 25 | 25 | 33.7 | 2.0 | 20.6 | 37.4 | 129 |
| 1 1/4" | 32 | 32 | 42.4 | 2.0 | 25.1 | 46.3 | 148 |
| 1 1/2" | 40 | 40 | 48.3 | 2.0 | 29.4 | 53.5 | 161 |
| DIN 11850 2 / DIN 11866 A | | | | | | | |
| 3/8" | 10 | 8 | 13 | 1.5 | 9.9 | 16.4 | 90 |
| 1/2" | 15 | 15 | 19 | 1.5 | 13.2 | 22.7 | 110 |
| 3/4" | 20 | 15 | 23 | 1.5 | 15.2 | 26.7 | 119 |
| 1" | 25 | 20 | 29 | 1.5 | 18.2 | 32.7 | 129 |
| 1 1/4" | 32 | 25 | 35 | 1.5 | 21.2 | 38.7 | 148 |
| 1 1/2" | 40 | 32 | 41 | 1.5 | 24.4 | 44.9 | 161 |
| 2" | 50 | 40 | 53 | 1.5 | 31.7 | 58.2 | 192 |

Technical data - plastic body

Pressure-temperature chart

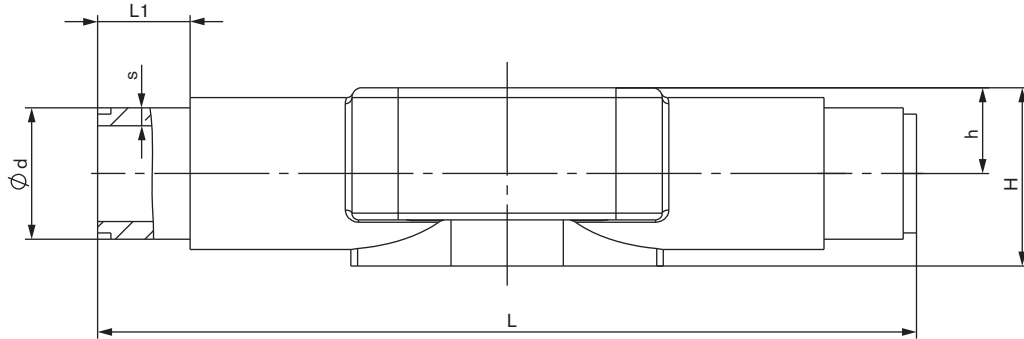


Kv values

| Port Connection DN | | Diaphragm size | Kv value [m ³ /h] |
|--------------------|--------|----------------|------------------------------|
| [mm] | [inch] | | |
| 15 | 1/2" | 15 | 3.5 |
| 20 | 3/4" | 20 | 7 |
| 25 | 1" | 25 | 11 |
| 32 | 1 1/4" | 32 | 18 |
| 40 | 1 1/2" | 40 | 26 |

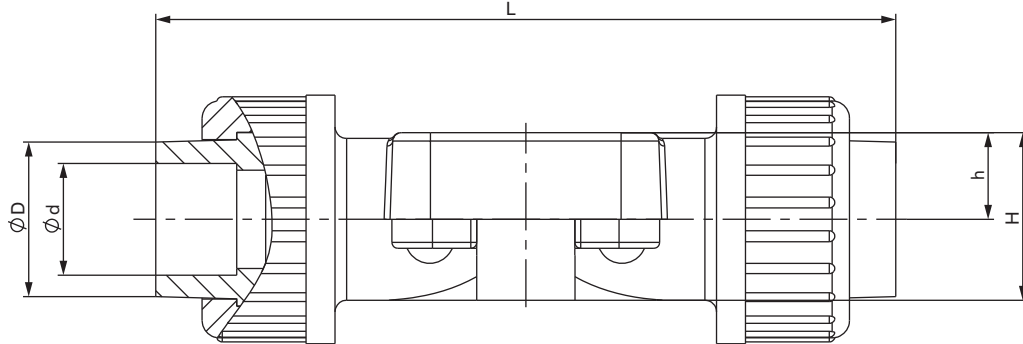
Flow rate: Kv value [m³/h] for elastomer diaphragms measured at 20°C and 1 bar pressure drop at mean operating pressure.

Dimensions [mm] plastic body - weld end and solvent socket



| PVC - solvent socket | | | | | | | | |
|----------------------|------|----------------|---------|--------|--------|--------|--------|---------|
| Port Connection DN | | Diaphragm Size | Ød [mm] | s [mm] | h [mm] | H [mm] | L [mm] | L1 [mm] |
| [inch] | [mm] | | | | | | | |
| 1/2" | 15 | 15 | 20 | 2.75 | 15 | 29 | 124 | 16 |
| 3/4" | 20 | 20 | 25 | 3.0 | 18.5 | 36 | 144 | 19 |
| 1" | 25 | 25 | 32 | 3.75 | 22 | 43 | 154 | 22 |
| 1 1/4" | 32 | 32 | 40 | 4.5 | 27 | 52.5 | 174 | 26 |
| 1 1/2" | 40 | 40 | 50 | 6.0 | 33 | 65.5 | 194 | 31 |
| PVDF - weld end | | | | | | | | |
| Port Connection DN | | Diaphragm Size | Ød [mm] | s [mm] | h [mm] | H [mm] | L [mm] | L1 [mm] |
| [inch] | [mm] | | | | | | | |
| 1/2" | 15 | 15 | 20 | 2.35 | 15 | 29 | 124 | 19 |
| 3/4" | 20 | 20 | 25 | 2.55 | 18.5 | 36 | 144 | 21 |
| 1" | 25 | 25 | 32 | 3.2 | 22 | 43 | 154 | 23 |
| 1 1/4" | 32 | 32 | 40 | 3.9 | 27 | 52.5 | 174 | 25 |
| 1 1/2" | 40 | 40 | 50 | 5.2 | 33 | 65.5 | 194 | 28 |
| PP - weld end | | | | | | | | |
| Port Connection DN | | Diaphragm Size | Ød [mm] | s [mm] | h [mm] | H [mm] | L [mm] | L1 [mm] |
| [inch] | [mm] | | | | | | | |
| 1/2" | 15 | 15 | 20 | 2.7 | 15 | 29 | 124 | 14 |
| 3/4" | 20 | 20 | 25 | 2.95 | 18.5 | 36 | 144 | 16 |
| 1" | 25 | 25 | 32 | 3.7 | 22 | 43 | 154 | 18 |
| 1 1/4" | 32 | 32 | 40 | 4.45 | 27 | 52.5 | 174 | 20 |
| 1 1/2" | 40 | 40 | 50 | 5.95 | 33 | 65.5 | 194 | 23 |

Dimensions [mm] plastic body - true union



| PVC true union (solvent) | | | | | | | |
|--------------------------|------|----------------|----|----|------|------|-----|
| Port Connection DN | | Diaphragm Size | Ød | ØD | h | H | L |
| [inch] | [mm] | | | | | | |
| 1/2" | 15 | 15 | 20 | 27 | 15 | 29 | 128 |
| 3/4" | 20 | 20 | 25 | 33 | 18.5 | 36 | 152 |
| 1" | 25 | 25 | 32 | 41 | 22 | 43 | 166 |
| 1 1/4" | 32 | 32 | 40 | 48 | 27 | 52.5 | 192 |
| 1 1/2" | 40 | 40 | 50 | 59 | 33 | 65.5 | 222 |
| PVDF true union (weld) | | | | | | | |
| Port Connection DN | | Diaphragm Size | Ød | ØD | h | H | L |
| [inch] | [mm] | | | | | | |
| 1/2" | 15 | 15 | 20 | 28 | 15 | 29 | 128 |
| 3/4" | 20 | 20 | 25 | 36 | 18.5 | 36 | 150 |
| 1" | 25 | 25 | 32 | 42 | 22 | 43 | 162 |
| 1 1/4" | 32 | 32 | 40 | 53 | 27 | 52.5 | 184 |
| 1 1/2" | 40 | 40 | 50 | 59 | 33 | 65.5 | 210 |
| PP true union (weld) | | | | | | | |
| Port Connection DN | | Diaphragm Size | Ød | ØD | h | H | L |
| [inch] | [mm] | | | | | | |
| 1/2" | 15 | 15 | 20 | 27 | 15 | 29 | 128 |
| 3/4" | 20 | 20 | 25 | 36 | 18.5 | 36 | 150 |
| 1" | 25 | 25 | 32 | 41 | 22 | 43 | 162 |
| 1 1/4" | 32 | 32 | 40 | 53 | 27 | 52.5 | 184 |
| 1 1/2" | 40 | 40 | 50 | 59 | 33 | 65.5 | 210 |

Valve system – request for quotation

Note
You can fill out the fields directly in the PDF file before printing out the form.

▶ Please fill out and send to your nearest Bürkert office* with your inquiry or order

| | |
|----------------|-----------------|
| Company: | Contact person: |
| Customer no.: | Department: |
| Address: | Tel./Fax.: |
| Postcode/town: | E-Mail: |

= mandatory fields to fill out Quantity: Required delivery date:

Operating data

Pipe line DN PN

Pipe Material

Process medium

Type of medium Liquid Steam Gas

Valves features

Body material Forged stainless steel Stainless steel tube PVC PP PVDF

Inner surface Electropolished Mech. polished Not relevant
Ra ≤ 0,38 µm Ra ≤ 0,5 µm
 (ASME BPE SF4) (ASME BPE SF1)

Port connection size please state required size

Port connections Stainless steel

Weld ends ASME BPE/DIN DIN 11866 C ASME BPE
 DIN EN ISO 1127/ISO 4200/DIN11866 B DIN 32676 A
 DIN 11850 2/DIN11866 A (with pipe DIN 11850 2)
 BS4825 DIN 32676 B
 SMS 3008 (with pipe ISO 4200)
 DIN 11850 0

Plastic True union (solvent) weld ends
 true union (weld) solvent sockets

Diaphragm size please state required size

Diaphragm material EPDM (AB) PTFE/EPDM (EA) EPDM (AD) advanced PTFE/EPDM (EU)
 Gylon®/EPDM laminated (ER) FKM (FF)

Approvals FDA EC-Regulation 1935/2004/EC USP Class VI EHEDG

DTS 1000303513 EN Version: A Status: RL (released | freigegeben | valide) printed: 26.10.2016

Valve system – request for quotation, continued

Control unit features

Communication

- | | |
|---------------------------------------|--------------------------------------|
| <input type="checkbox"/> Binary | <input type="checkbox"/> Digital |
| <input type="checkbox"/> 1 binary IN | <input type="checkbox"/> Ethernet/IP |
| <input type="checkbox"/> 1 binary OUT | <input type="checkbox"/> Profinet |
| | <input type="checkbox"/> Modbus TCP |

Electrical connection

- | | |
|---|------------------------------------|
| <input type="checkbox"/> Cable gland (without Fieldbus) | <input type="checkbox"/> Multipole |
|---|------------------------------------|

SIM card

- with
- without

Accessories

- Mounting bracket (for diaphragm size 8 included in delivery)
- Bürkert communicator - for more information visit www.burkert.com

Certifications

- Test Report 2.2 acc. to EN 10204 (Item-No. 803 722)
- Inspection Certificate 3.1 acc. to EN 10204 - Material Test Report (included in delivery)
- Inspection Certificate 3.1 acc. to EN 10204 - Surface Roughness Measurement (Item- No. 804175)
- FDA and USP compliance

Please specify item no. (if known):

Comments

To find your nearest Bürkert office, click on the orange box →

www.burkert.com

In case of special application conditions,
please consult for advice.

Subject to alteration.
© Christian Bürkert GmbH & Co. KG

1610/1_EU-en_00895323