



Improved Filter Backwashing

Advanced Cla-Val Electronic Backwash Valves with metering capability

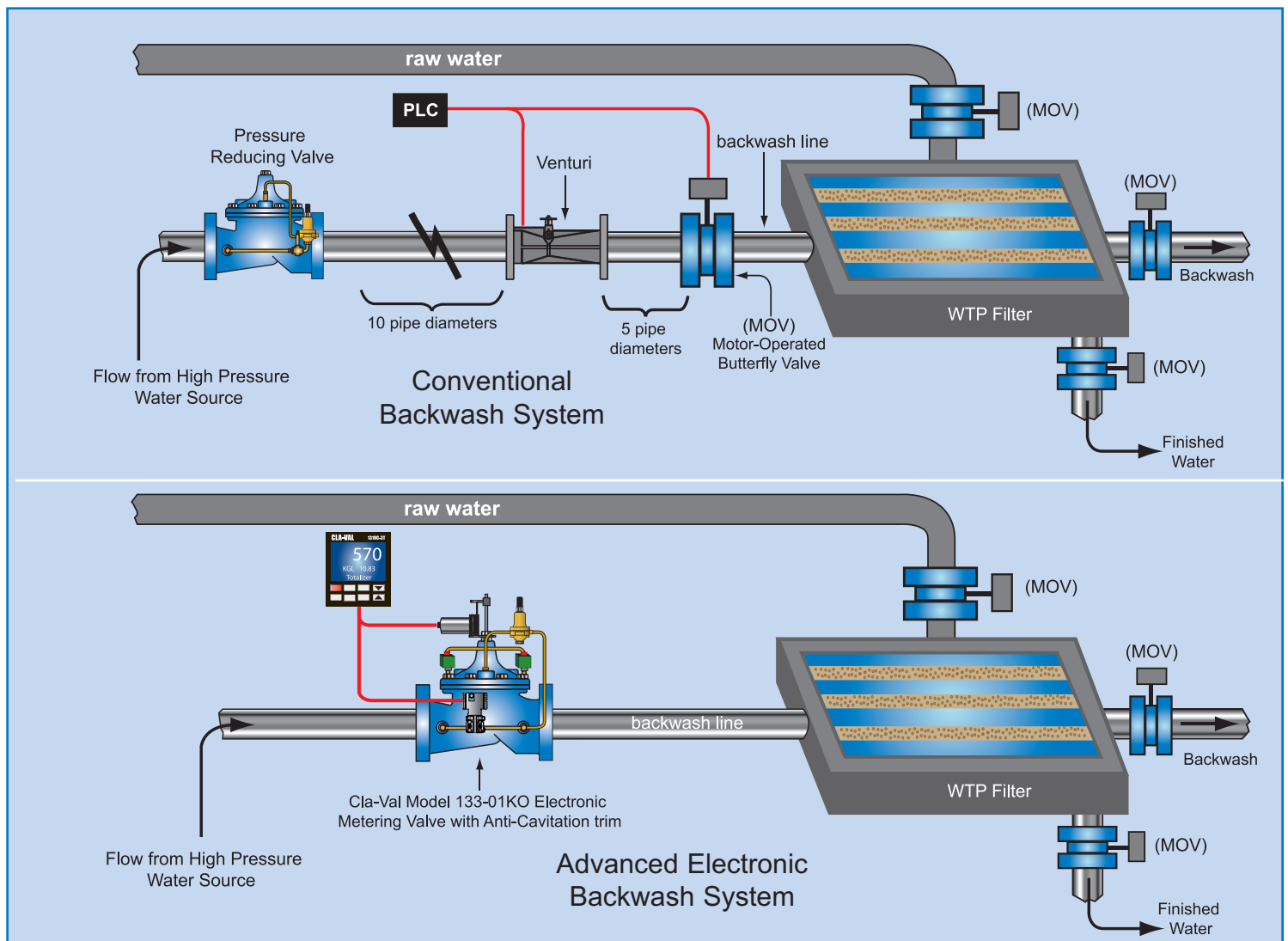
All water treatment plant filters must be regularly backwashed to clear away impurities left by raw water and to ensure optimum filtration results. Conventional systems, utilizing a combination of devices, often succumb to the ravages of cavitation caused by high system pressure and pose space challenges because of the long runs of piping required between components to guarantee proper function.

Cla-Val electronic metering valves equipped with KO anti-cavitation trim can handle the pressure and can perform the backwashing function without external metering or control components, greatly reducing space requirements and installation/maintenance costs.

This multi-functional control valve cost effectively meets the following operational requirements:

- Low-rate wash
- Remote valve closure
- Hydraulic pressure override
- High-rate wash
- Flow metering and totalizing
- Can interface with SCADA systems

In addition to being available on new valves, any existing, installed Cla-Val Pressure Reducing Valve can be field retrofitted with the Model 133 electronic control and metering kit to perform backwashing at peak efficiency.



visit www.cla-val.com
and click the "Backwash" Quick Link