

2016
PRODUCT
CATALOG

Northern[★]

The Security Professional's Choice For Video Surveillance Products



Northern[★]

3625 Cincinnati Avenue, Rocklin, CA 95765 ♦ 855-388-7422 ♦ www.northernvideo.com

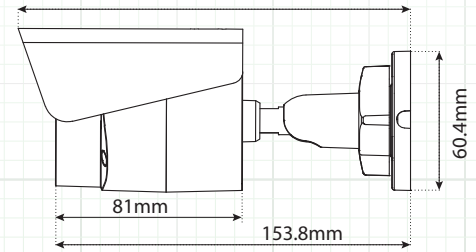
IP3B

3.0 Megapixel IP Outdoor IR Bullet Camera

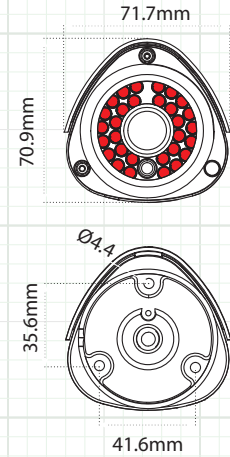
POE, Full HD 1080P, 4mm IR Lens, DWDR, 65' IR, IP66



IP3B



Dimensions



SPECIFICATION		IP3B
CAMERA	Image Sensor	1/3" Progressive Scan CMOS
	Minimum Illumination	0.19 Lux@ F2.0, AGC on / 0 Lux with IR
	IRLED Count / Range / Nanometer	30 IR LEDs / 65' Range / 850nm
	Shutter Time	1/30s ~ 1/100,000s
	Lens (IR Corrective)	4mm@F2.0, Angle of View: 70°
	Lens Mount	M12
	Camera Bracket Adjustment	3-Axis Design
	Day & Night	Yes - ICR Filter with Auto Switch
	DNR (Digital Noise Reduction)	3D DNR
	WDR (Wide Dynamic Range)	Digital WDR
COMPRESSION	BLC (Backlight Compensation)	Yes, Zone Configurable
	Video Compression	H.264 / MJPEG
	H.264 Codec Profile	Main Profile
	Bit Rate	32 Kbps ~ 16 Mbps
	Dual Streaming	Yes
IMAGE	Maximum Image Resolution	2048 x 1536
	Frame Rate	60Hz: 15fps (2048 x 1536), 30fps (1920 x 1080), 30fps (1280 x 720)
	Image Settings	Saturation, Brightness, Contrast (adjustable through client software or web browser)
NETWORK	Network Storage	Compatible
	Alarm Trigger	Motion Detection, Tampering Alarm
	Protocols	TCP/IP, HTTP, DHCP, DNS, DDNS, RTP, RTSP, PPPOE, SMTP, NTP, SNMP, HTTPS, FTP, 802.1x, Qos
	System Compatibility	ONVIF, PSIA, CGI
	Security Functions	User Authentication, Reset Button, Dual Stream, Heartbeat, Mirror, Watermark
	Communication Interface	1 RJ45 10M / 100M Ethernet Port
GENERAL	Operating Conditions	-30°C ~ 60°C (-22°F ~ 140°F) Humidity 95% or Less (non-condensing)
	Housing Color	White/Black Accents
	Housing Material	Heavy Duty Aluminum
	Power Supply	12 VDC ± 10%, POE (802.3af)
	Power Consumption	Max. 5W (7W with ICR on)
	Weatherproof Rating	IP66
	Dimensions	60.4 x 76.5 x 138.1mm
	Weight	463g (1.0lbs)
	Certifications	UL / CUL

FEATURES

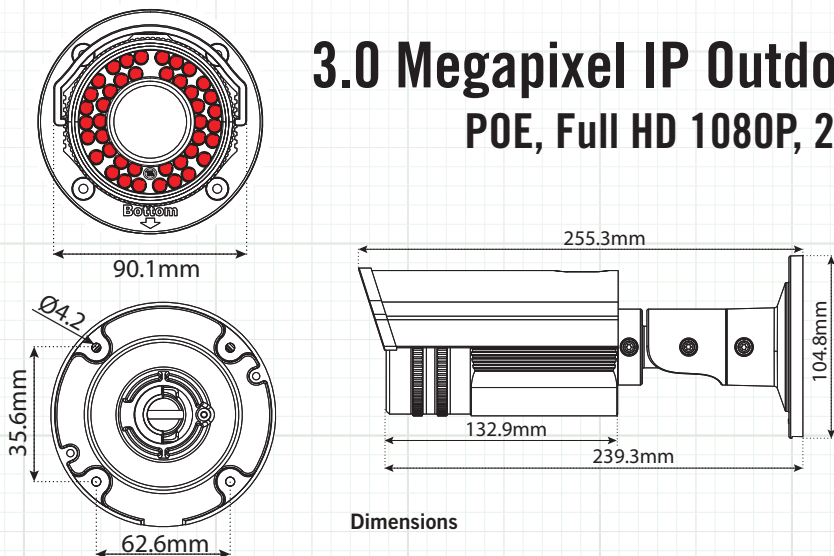
- ◆ Full HD 1080p / 720p Real Time Video
- ◆ Up to 2048 x 1536 Resolution (15FPS)
- ◆ POE - Power over Ethernet
- ◆ Free CMS & IP Server Software
- ◆ 4mm IR Lens
- ◆ Digital Wide Dynamic Range
- ◆ Digital Noise Reduction
- ◆ Mechanical IR Cut Filter
- ◆ 30 IR LED's - 65' IR Range
- ◆ ONVIF / PSIA / CGI Compliant
- ◆ IP66 Weatherproof
- ◆ UL/CUL Certified

INCLUDED ACCESSORIES

1. Quick Guide
1. Software CD
1. Mounting Template & Hardware Packet

Note: Specification subject to change without notice

3.0 Megapixel IP Outdoor Varifocal IR Bullet Camera POE, Full HD 1080P, 2.8~12mm IR Lens, DWDR, 100' IR, IP66



Dimensions



IP3VFB

SPECIFICATION		IP3VFB
CAMERA	Image Sensor	1/3" Progressive Scan CMOS
	Minimum Illumination	0.095 Lux@ F1.4, AGC on / 0 Lux with IR
	IRLED Count / Range / Nanometer	42 IR LEDs / 100' Range / 850nm
	Shutter Time	1/30s ~ 1/100,000s
	Lens (IR Corrective)	2.8~12mm @ F1.4, Angle of View: 91° ~ 28°
	Lens Mount	Φ 14
	Camera Bracket Adjustment	3-Axis Design
	Day & Night	Yes - ICR Filter with Auto Switch
	DNR (Digital Noise Reduction)	3D DNR
	WDR (Wide Dynamic Range)	Digital WDR
	BLC (Backlight Compensation)	Yes, Zone Configurable
On-board storage	Built-in Micro SD/SDHC/SXDC card slot, up to 64 GB	
COMPRESSION	Video Compression	H.264 / MJPEG
	H.264 Codec Profile	Main Profile
	Bit Rate	32 Kbps ~ 16 Mbps
	Dual Streaming	Yes
IMAGE	Maximum Image Resolution	2048 x 1536
	Frame Rate	60Hz: 15fps (2048 x 1536), 30fps (1920 x 1080), 30fps (1280 x 720)
	Image Settings	Saturation, Brightness, Contrast (adjustable through client software or web browser)
NETWORK	Network Storage	Compatible
	Alarm Trigger	Motion Detection, Tampering Alarm, Network Disconnect, IP Address Conflict, Storage Full, Storage Error
	Protocols	TCP/IP, HTTP, DHCP, DNS, DDNS, RTP, RTSP, PPPOE, SMTP, NTP, UPnP, ICMP,IGMP,SNMP, FTP, 802.1X, QoS, HTTPS
	System Compatibility	ONVIF, PSIA, CGI
	Security Functions	User Authentication, Reset Button, Dual Stream, Watermark
	Communication Interface	1 RJ45 10M / 100M Ethernet Port
GENERAL	Operating Conditions	-30°C ~ 60°C (-22°F ~ 140°F) Humidity 95% or Less (non-condensing)
	Housing Color	White
	Housing Material	Heavy Duty Aluminum
	Power Supply	12 VDC ± 10%, POE (802.3af)
	Power Consumption	Max. 5W (7W with ICR on)
	Weatherproof Rating	IP66
	Dimensions	95 x 105 x 258.6 mm (3.74" x 4.13" x10.18")
	Weight	1200g (2.65lbs)
	Certifications	UL / CUL

FEATURES

- ◆ Full HD 1080p / 720p Real Time Video
- ◆ Up to 2048 x 1536 Resolution (15FPS)
- ◆ POE - Power over Ethernet
- ◆ Free CMS & IP Server Software
- ◆ SD-Card Slot (card sold separately)
- ◆ Junction Box with 3/4" Conduit Access
- ◆ 2.8 ~12mm Varifocal IR Lens
- ◆ Digital Wide Dynamic Range
- ◆ Digital Noise Reduction
- ◆ Mechanical IR Cut Filter
- ◆ 42 IR LED's - 100' IR Range
- ◆ ONVIF / PSIA / CGI Compliant
- ◆ IP66 Weatherproof
- ◆ UL/CUL Certified

INCLUDED ACCESSORIES

1. Quick Guide
1. Software CD
1. Mounting Template & Hardware Packet
1. Junction Box
1. L-Style Wrench
1. Video Test Cable

Note: Specification subject to change without notice

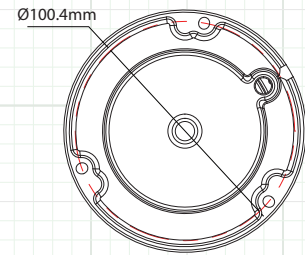
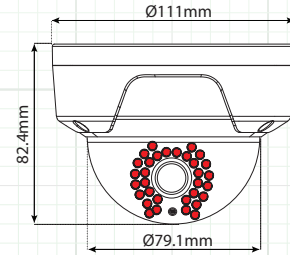
IP3D

3.0 Megapixel IP Outdoor IR Dome Camera POE, Full HD 1080P, 2.8mm IR Lens, DWDR, 100' IR, IP66



IP3D

Dimensions



SPECIFICATION		IP3D
CAMERA	Image Sensor	1/3" Progressive Scan CMOS
	Minimum Illumination	0.095 Lux@ F1.4, AGC on / 0 Lux with IR
	IRLED Count / Range / Nanometer	30 IR LEDs / 100' Range / 850nm
	Shutter Time	1/30s ~ 1/100,000s
	Lens (IR Corrective)	2.8mm @ F2.0, Angle of View: 95.8°
	Lens Mount	M12
	Camera Bracket Adjustment	3-Axis Design
	Day & Night	Yes - ICR Filter with Auto Switch
	DNR (Digital Noise Reduction)	3D DNR
	WDR (Wide Dynamic Range)	Digital WDR
BLC (Backlight Compensation)	Yes, Zone Configurable	
On-board storage	Built-in Micro SD/SDHC/SDXC card slot, up to 64 GB	
COMPRESSION	Video Compression	H.264 / MJPEG
	H.264 Codec Profile	Main Profile
	Bit Rate	32 Kbps ~ 16 Mbps
	Dual Streaming	Yes
IMAGE	Maximum Image Resolution	2048 x 1536
	Frame Rate	60Hz: 15fps (2048 x 1536), 30fps (1920 x 1080), 30fps (1280 x 720)
	Image Settings	Saturation, Brightness, Contrast (adjustable through client software or web browser)
	Network Storage	Compatible
NETWORK	Alarm Trigger	Motion Detection, Tampering Alarm, Network Disconnect, IP Address Conflict, Storage Full, Storage Error
	Protocols	TCP/IP, HTTP, DHCP, DNS, DDNS, RTP, RTSP, PPPOE, SMTP, NTP, UPnP, ICMP,IGMP,SNMP, FTP, 802.1X, QoS, HTTPS
	System Compatibility	ONVIF, PSIA, CGI
	Security Functions	User Authentication, Reset Button, Dual Stream, Watermark
	Communication Interface	1 RJ45 10M / 100M Ethernet Port
GENERAL	Operating Conditions	-30°C ~ 60°C (-22°F ~ 140°F) Humidity 95% or Less (non-condensing)
	Housing Material	Heavy Duty Aluminum
	Housing Color	White
	Power Supply	12 VDC ± 10%, POE (802.3af)
	Power Consumption	Max. 5W with ICR on
	Weatherproof Rating	IP66
	Dimensions	Φ 111 x 82 mm (Φ 4.4" x 3.2")
	Weight	500g (1.1lbs)
	Certifications	UL / CUL

FEATURES

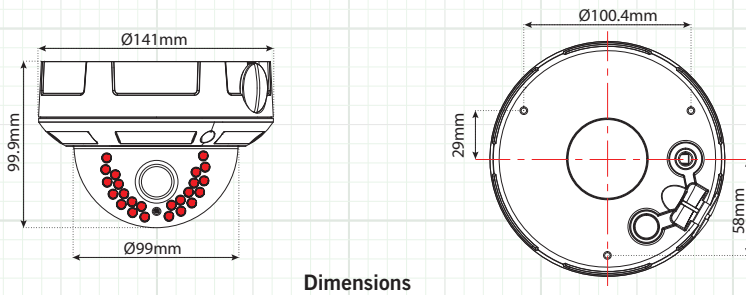
- ◆ Full HD 1080p / 720p Real Time Video
- ◆ Up to 2048 x 1536 Resolution (15FPS)
- ◆ POE - Power over Ethernet
- ◆ Free CMS & IP Server Software
- ◆ SD-Card Slot (card sold separately)
- ◆ 2.8mm Wide Angle IR Lens
- ◆ Digital Wide Dynamic Range
- ◆ Digital Noise Reduction
- ◆ Mechanical IR Cut Filter
- ◆ 30 IR LED's - 100' IR Range
- ◆ ONVIF / PSIA / CGI Compliant
- ◆ IP66 Weatherproof
- ◆ UL/CUL Certified

INCLUDED ACCESSORIES

1. Quick Guide
1. Software CD
1. Mounting Plate
1. Mounting Template & Hardware Packet
1. L-Style Wrench
1. Video Test Connector

Note: Specification subject to change without notice

3.0 Megapixel IP Outdoor Varifocal IR Dome Camera POE, Full HD 1080P, 2.8~12mm IR Lens, DWDR, 65' IR, IP66



Dimensions



IP3VFD

SPECIFICATION		IP3VFD
CAMERA	Image Sensor	1/3" Progressive Scan CMOS
	Minimum Illumination	0.095 Lux@ F1.4, AGC on / 0 Lux with IR
	IRLED Count / Range / Nanometer	24 IR LEDs / 65' Range / 850nm
	Shutter Time	1/30s ~ 1/100,000s
	Lens (IR Corrective)	2.8~12mm @ F1.4, Angle of View: 91° ~ 28°
	Lens Mount	Ø 14
	Camera Bracket Adjustment	3-Axis Design
	Day & Night	Yes - ICR Filter with Auto Switch
	DNR (Digital Noise Reduction)	3D DNR
	WDR (Wide Dynamic Range)	Digital WDR
	BLC (Backlight Compensation)	Yes, Zone Configurable
	On-board storage	Built-in Micro SD/SDHC/SDXC card slot, up to 64 GB
COMPRESSION	Video Compression	H.264 / MJPEG
	H.264 Codec Profile	Main Profile
	Bit Rate	32 Kbps ~ 16 Mbps
	Dual Streaming	Yes
IMAGE	Maximum Image Resolution	2048 x 1536
	Frame Rate	60Hz: 15fps (2048 x 1536), 30fps (1920 x 1080), 30fps (1280 x 720)
	Image Settings	Saturation, Brightness, Contrast (adjustable through client software or web browser)
	Network Storage	Compatible
NETWORK	Alarm Trigger	Motion Detection, Tampering Alarm, Network Disconnect, IP Address Conflict, Storage Full, Storage Error
	Protocols	TCP/IP, HTTP, DHCP, DNS, DDNS, RTP, RTSP, PPPOE, SMTP, NTP, UPnP, ICMP,IGMP,SNMP, FTP, 802.1X, QoS, HTTPS
	System Compatibility	ONVIF, PSIA, CGI
	Security Functions	User Authentication, Reset Button, Dual Stream, Watermark
	Communication Interface	1 RJ45 10M / 100M Ethernet Port
GENERAL	Operating Conditions	-30°C ~ 60°C (-22°F ~ 140°F) Humidity 95% or Less (non-condensing)
	Housing Material	Heavy Duty Aluminum
	Housing Color	White
	Power Supply	12 VDC ± 10%, POE (802.3af)
	Power Consumption	Max. 5.5W with ICR on
	Weatherproof Rating	IP66
	Dimensions	Ø 140 x 99.9 mm (Ø 5.51" x 3.94")
	Weight	1000g (2.2lbs)
Certifications	UL / CUL	

FEATURES

- ◆ Full HD 1080p / 720p Real Time Video
- ◆ Up to 2048 x 1536 Resolution (15FPS)
- ◆ POE - Power over Ethernet
- ◆ Free CMS & IP Server Software
- ◆ SD-Card Slot (card sold separately)
- ◆ 2.8 ~12mm Varifocal IR Lens
- ◆ Digital Wide Dynamic Range
- ◆ Digital Noise Reduction
- ◆ Mechanical IR Cut Filter
- ◆ 24 IR LED's - 65' IR Range
- ◆ ONVIF / PSIA / CGI Compliant
- ◆ IP66 Weatherproof
- ◆ UL/CUL Certified

INCLUDED ACCESSORIES

1. Quick Guide
1. Software CD
1. Mounting Plate
1. Mounting Template & Hardware Packet
1. L-Style Wrench
1. Video Test Connector

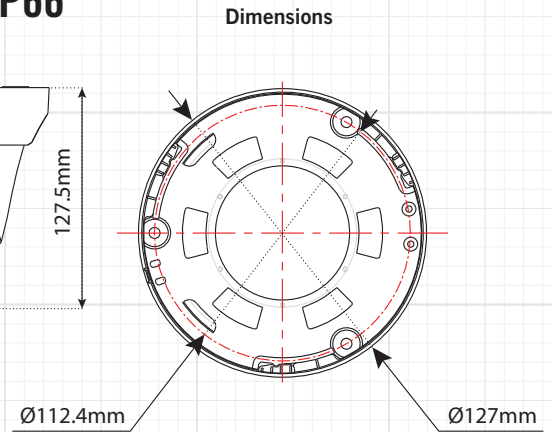
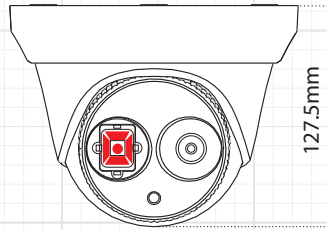
Note: Specification subject to change without notice

IP3T

3.0 Megapixel IP Outdoor **IR** Turret Camera POE, Full HD 1080P, 2.8mm IR Lens, DWDR, 100' IR, IP66



IP3T



Dimensions

SPECIFICATION		IP3T
CAMERA	Image Sensor	1/3" Progressive Scan CMOS
	Minimum Illumination	0.19 Lux@ F2.0, AGC on / 0 Lux with IR
	IRLED Count / Range / Nanometer	Single High Power LED / 100' Range / 850nm
	Shutter Time	1/30s ~ 1/100,000s
	Lens (IR Corrective)	2.8mm@F2.0, Angle of View: 86°
	Lens Mount	M12
	Camera Angle Adjustment	Pan: 0° ~ 360°, Tilt: 0° ~ 75°, Rotation: 0° ~ 360°
	Day & Night	Yes - ICR Filter with Auto Switch
	DNR (Digital Noise Reduction)	3D DNR
	WDR (Wide Dynamic Range)	Digital WDR
COMPRESSION	BLC (Backlight Compensation)	Yes, Zone Configurable
	Video Compression	H.264 / MJPEG
	H.264 Codec Profile	Main Profile
	Bit Rate	32 Kbps ~ 16 Mbps
IMAGE	Dual Streaming	Yes
	Maximum Image Resolution	2048 x 1536
	Frame Rate	60Hz: 15fps (2048 x 1536), 30fps (1920 x 1080), 30fps (1280 x 720)
NETWORK	Image Settings	Saturation, Brightness, Contrast (adjustable through client software or web browser)
	Network Storage	Compatible
	Alarm Trigger	Motion Detection, Tampering Alarm
	Protocols	TCP/IP, HTTP, DHCP, DNS, DDNS, RTP, RTSP, PPPOE, SMTP, NTP, SNMP, HTTPS, FTP, 802.1X, Qos
	System Compatibility	ONVIF, PSIA, CGI
	Security Functions	User Authentication, Reset Button, Dual Stream, Heartbeat, Mirror, Watermark
GENERAL	Communication Interface	1 RJ45 10M / 100M ethernet port
	Operating Conditions	-30°C ~ 60°C (-22°F ~ 140°F) Humidity 95% or Less (non-condensing)
	Housing Color	White
	Housing Material	Heavy Duty Aluminum / Plastic Ring Base Cover
	Power Supply	12 VDC ± 10%, POE (802.3af)
	Power Consumption	Max. 5.5W (7.5W with ICR on)
	Weatherproof Rating	IP66
	Dimensions	Ø 127 x 97.5 mm
	Weight	670g (1.5 lbs)
Certifications	UL / CUL	

FEATURES

- ◆ Full HD 1080p / 720p Real Time Video
- ◆ Up to 2048 x 1536 Resolution (15FPS)
- ◆ POE - Power over Ethernet
- ◆ Free CMS & IP Server Software
- ◆ 2.8mm Wide Angle IR Lens
- ◆ Digital Wide Dynamic Range
- ◆ Digital Noise Reduction
- ◆ Mechanical IR Cut Filter
- ◆ High Output LED - 100' IR Range
- ◆ ONVIF / PSIA / CGI Compliant
- ◆ IP66 Weatherproof
- ◆ UL/CUL Certified

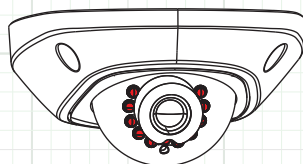
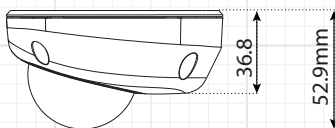
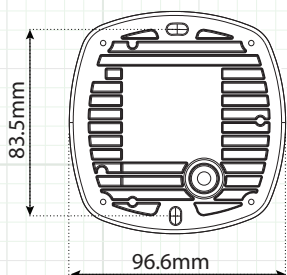
INCLUDED ACCESSORIES

1. Quick Guide
1. Software CD
1. Mounting Template & Hardware Packet

Note: Specification subject to change without notice

3.0 Megapixel IP Outdoor IR Wedge Camera POE, Full HD 1080P, 2.8mm IR Lens, DWDR, 30' IR, IP66

Dimensions



IP3W

SPECIFICATION		IP3W
CAMERA	Image Sensor	1/3" Progressive Scan CMOS
	Minimum Illumination	0.19 Lux@ F2.0, AGC on / 0 Lux with IR
	IRLED Count / Range / Nanometer	10 IR LED's / 30' Range / 850nm
	Shutter Time	1/30s ~ 1/100,000s
	Lens (IR Corrective)	2.8mm @F2.0, Angle of View: 86°
	Lens Mount	M12
	Camera Bracket Adjustment	Pan: ±30°, Tilt: 0~75°, Rotation: 0~360°
	Day & Night	Yes - ICR Filter with Auto Switch
	DNR (Digital Noise Reduction)	3D DNR
COMPRESSION	WDR (Wide Dynamic Range)	Digital WDR
	BLC (Backlight Compensation)	Yes, Zone Configurable
	On-board storage	Built-in Micro SD/SDHC/SDXC card slot, up to 64 GB
	Video Compression	H.264 / MJPEG
IMAGE	H.264 Codec Profile	Main Profile
	Bit Rate	32 Kbps ~ 16 Mbps
	Dual Streaming	Yes
	Maximum Image Resolution	2048 x 1536
NETWORK	Frame Rate	60Hz: 15fps (2048 x 1536), 30fps (1920 x 1080), 30fps (1280 x 720)
	Image Settings	Saturation, Brightness, Contrast (adjustable through client software or web browser)
	Network Storage	Compatible
GENERAL	Alarm Trigger	Motion Detection, Tampering Alarm, Network Disconnect, IP Address Conflict, Storage Exception, Storage Error
	Protocols	TCP/IP, ICMP, HTTP, HTTPS, FTP, DHCP, DNS, DDNS, RTP, RTSP, RTCP, PPPOE, NTP, UPnP, SMTP, SNMP, IGMP, 802.1X, QoS, IPv6, Bonjour
	System Compatibility	ONVIF, PSIA, CGI
	Security Functions	User Authentication, Reset Button, Dual Stream, Heartbeat, Mirror, Watermark
	Communication Interface	1 RJ45 10M / 100M ethernet port
GENERAL	Operating Conditions	-30°C ~ 60°C (-22°F ~ 140°F) Humidity 95% or Less (non-condensing)
	Housing Color	White
	Housing Material	Heavy Duty Aluminum / Plastic Ring Base Cover
	Power Supply	12 VDC ± 10%, POE (802.3af)
	Power Consumption	Max. 5.W with IR on
	Weatherproof Rating	IP66
	Dimensions	99.9 x 97.5 x 56.5
	Weight	350g (0.78 lbs)
	Certifications	UL / CUL

FEATURES

- ◆ Full HD 1080p / 720p Real Time Video
- ◆ Up to 2048 x 1536 Resolution (15FPS)
- ◆ POE - Power over Ethernet
- ◆ Free CMS & IP Server Software
- ◆ SD-Card Slot (card sold separately)
- ◆ 2.8mm Wide Angle IR Lens
- ◆ Digital Wide Dynamic Range
- ◆ Digital Noise Reduction
- ◆ Mechanical IR Cut Filter
- ◆ 24 IR LED's - 30' IR Range
- ◆ ONVIF / PSIA / CGI Compliant
- ◆ IP66 Weatherproof
- ◆ UL/CUL Certified

INCLUDED ACCESSORIES

1. Quick Guide
1. Software CD
1. Mounting Template & Hardware Packet
1. Mounting Plate
1. L-Style Wrench
1. Camera Positioning Tool

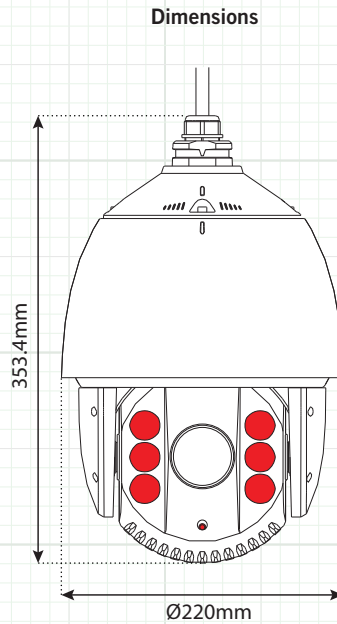
Note: Specification subject to change without notice

IPPTZ30XIR

2.0 Megapixel Outdoor IP POE PTZ with 30x Zoom & 395" IR Full HD 1080p, True D/N, DWDR, 3DNR, UL/CUL



IPPTZ30XIR



FEATURES

- ◆ Full HD 1080P Real Time Video
- ◆ 30X (4.3~128mm) Optical Zoom Level
- ◆ POE - Power over Ethernet & 24VAC
- ◆ Free CMS & IP Server Software
- ◆ True D/N Mechanical IR Cut Filter
- ◆ SD-Card Slot (card sold separately)
- ◆ Digital Wide Dynamic Range
- ◆ Included 24VAC Power Supply
- ◆ 360° Endless Panning
- ◆ True D/N Mechanical IR Cut Filter
- ◆ 6 High Power IR LED's / 395' IR Range
- ◆ 2 Programmable Privacy Masks
- ◆ 300 Preset Positions
- ◆ 8 Patrols With up to 32 Presets Each
- ◆ ONVIF / PSIA / CGI Compliant
- ◆ IP66 Weatherproof
- ◆ Built in Heater & Fan
- ◆ -22°F Operating Temperature
- ◆ UL/CUL Certified

INCLUDED ACCESSORIES

1. Quick Guide
1. Software CD
1. L-Style Wrench
1. 1½" Pipe Thread Adapter (Male)
1. 24 Volt AC Power Supply

MOUNTING ACCESSORIES

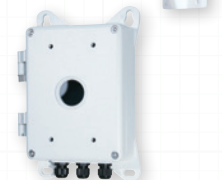
IPTVIWMT

Wall mount for IPPTZ30XIR



IPTVIJB

Junction Box for IPTVIWMT



	SPECIFICATION	IPPTZ30XIR
Camera	Image Sensor	1/2.8" Progressive Scan CMOS
	Image Resolution	2 Megapixel, 1920x1080 Max
	Min. Illumination	Color : 0.02 Lux B/W : 0.002 Lux / 0 Lux with IR On
	White Balance	Auto / Manual / ATW / Indoor / Outdoor / Daylight Lamp/Sodium Lamp
	AGC	Auto / Manual
	S/N Ratio	≥ 52dB
	3D DNR	ON/OFF, Level 0~100
	BLC	ON/OFF
	HLC	ON/OFF
	DWDR	ON/OFF, Level 0~100
	Defog	ON/OFF
	Shutter Speed	1-1/10,000s
	True Day & Night	IR Cut Filter
	Digital Zoom	16X
Privacy Mask	2 Programmable Privacy Masks	
Focus Mode	Auto / Semi-Auto / Manual	

IPPTZ30XIR Specifications

	FEATURES	IPPTZ30XIR
Lens	Focal Length	4.3-129mm, 30x / Aperture F1.6-F5.0
	Zoom Speed	Approx.3s (Optical Wide-Tele)
	Angle of View	65.1-2.34 degree (Wide-Tele)
	Min. Working Distance	10-1500mm (Wide-Tele)
Pan & Tilt	Pan Range	360° Endless
	Pan Speed	Pan Manual Speed: 0.1°-160°/s - Pan Preset Speed: 240°/s
	Tilt Range	-15°-90° (Auto Flip)
	Tilt Speed	Tilt Manual Speed: 0.1°-120°/s - Tilt Preset Speed: 200°/s
	Proportional Zoom	Rotation Speed Adjusted Automatically According to Zoom
	Number of Presets	300
	Park Action	Pattern / Pan & Tilt Scan / Frame Scan / Panorama Scan / Random Scan
	Patrol	8 Patrols, up to 32 Presets per Patrol
	Power-off Memory	Support
	Position Display	On / Off
	Preset Freezing	Support
	Scheduled Task	Auto Scan / Frame Scan / Random Scan / Patrol / Pattern / Preset / Panorama Scan / Tilt Scan / Dome Reboot / Dome Adjust / Aux Output
	IR	IR Distance
IR Intensity		Automatically Adjusted, Depending on the Zoom Ratio
Input / Output	Alarm Input	2 (0-5v DC)
	Alarm Output	1 Relay Output, Alarm Response Actions Configurable
	Alarm Trigger	Intrusion Detection, Line Crossing Detection, Motion Detection, Audio Exception Detection, Dynamic Analysis, Tampering Alarm, Network disconnect, IP Address Conflict, Storage Exception
	Alarm Actions	Preset, Patrol, Pattern, Recording, Relay Output, Upload Center, Upload FTP, Email Linkage
	Audio Input	1 Audio Input (Mic/Line in), 2-2.4V[p-p]; Output Impedance: 1KΩ, ±10%
	Audio Output	1 Output, Line Level, Impedance: 600Ω
Network	Ethernet	10Base-T / 100Base-TX, RJ45 Connector
	Image Resolution	1920×1080 Max
	Frame Rate	50Hz: 25 fps (1920×1080), 25 fps (1280×960), 25 fps (1280×720) 60Hz: 30 fps (1920×1080), 30 fps (1280×960), 30 fps (1280×720)
	Compression	H.264/MJPEG
	ROI Encoding	Support 2 Areas with Adjustable Levels
	Audio Compression	G.711/G.722/G.726/MP2L2
	Protocols	IPv4/IPv6, HTTP, HTTPS, 802.1X, QoS, FTP, SMTP, UPnP, SNMP, DNS, DDNS, NTP, RTSP, RTP, TCP, UDP, IGMP, ICMP, DHCP, PPPOE
	Simultaneous View	Up to 20 Live Views
	Dual Streams	Support
	SD Card	Micro SD Slot, up to 128GB, Edge Recording
	Users	Up to 32 users, 3 Levels: Administrator, Operator and User
	Security Measures	User auth. (ID and PW), Host auth. (MAC address), IP Address Filtering
	System Integration	Application Programming Interface
Supports Cloud P2P		
Web Browser		IE 7+, Chrome 18 +, Firefox 5.0 +, Safari 5.02 +
Power		Hi-POE & 24 VAC - Max. 40W(IR LED 12W, Heater 6W)
Operating Temp.		-30°C-65°C(-22°F-149°F) - Humidity '90% or less
Protection Level		IP66 - TVS 4,000V Lightning, Surge and Voltage Transient Protection
Dimensions		Ø220×353.4mm (Ø8.66"×13.91")
Certifications		UL / CUL
Weight (approx.)	4.5kg(9.92lbs)	

Note: Specification subject to change without notice

TVIDVR SERIES – HD-TVI 1080p DVR's

TVIDVR4 4-Channel HD-TVI DVR

TVIDVR8 8-Channel HD-TVI DVR

TVIDVR16 16-Channel HD-TVI DVR

**HD-TVI
1080p**



FEATURES

- ◆ 30FPS/Ch Real-Time Recording @ 720p
- ◆ 12FPS/Ch Recording @ 1080p
- ◆ Connects to Both TVI & 960H Analog Cameras
- ◆ 1 Channel IP Recording @ 2MP (TVIDVR4)
- ◆ 2 Channel IP Recording @ 2MP (TVIDVR8/TVIDVR16)
- ◆ Up to 12TB Storage Capacity (16Ch)
- ◆ Up to 6TB Storage Capacity (4-8Ch)
- ◆ H.264 Recording Compression
- ◆ Redundant Recording (16Ch w/2x HDD Only)
- ◆ Full Mobile Apps for iPhone, iPad & Android
- ◆ Compatible with IE, Chrome, Firefox & Safari Browsers
- ◆ Built-in Motion Detection & Privacy Mask
- ◆ Up to 16Ch Synchronous Playback
- ◆ Free DDNS Included
- ◆ Free CMS Software Included
- ◆ Supports P2P Operation
- ◆ Included Mouse & IR Remote
- ◆ Dual USBs for Copying Video & Mouse Control
- ◆ Simultaneous HDMI & VGA Video Outputs
- ◆ Rack Mount Hardware Included (TVIDVR16)
- ◆ Built-in Audio & Alarm
- ◆ Supports 2-Way Audio

Full Mobile Apps
Free Guarding Expert Mobile Apps
for iPhone, iPad, Android,
Android Tablets and Windows Phone



Guarding Expert

Free CMS Software



HD-TVI Series CMS Software shown on Northern* LED21HDMI

TVIDVR SERIES – HD-TVI 1080p DVR's

Learn More

Mobile Apps for iPhone, iPad & Android

View & Playback Video from multiple mobile devices.

Real Time 720p Recording

Record up to 30FPS per Channel @ 720p Resolution or up to 12FPS per Channel @ 1080p Resolution.

Up to 12TB Storage Capacity

Large Hard Disk storage capacity allows for longer storage of recorded video. 12TB max storage on 16 Channel, 6TB max on 4 & 8 Channel models.

Free CMS Software for PC & MAC

Connect to multiple DVRs from a single computer with the included CMS software is also compatible with NVRPOE Series NVR's & IP3 Series cameras.

Mouse & IR Remote Control

Easily control the DVR from the included Mouse or IR Remote Controller.

HDMI & VGA Video Outputs

Simultaneously display video through both VGA & HDMI monitor outputs.

Built in Motion Detection

Maximize your recording time by only recording when Motion is detected by the DVR.

Built in DDNS

Free DDNS insures you will always stay connected to your DVR when using a Dynamic IP address.

P2P Operation

Peer to Peer functionality makes set up easier by bypassing the need to configure port forwarding in most routers.

Dual USB Ports

DVR's include front and rear USB ports for making copies of video and controlling the DVR with a mouse.

Remote Accessibility

Remotely connect, monitor, playback, record and change DVR settings via IE, Firefox, Chrome and Safari Browsers

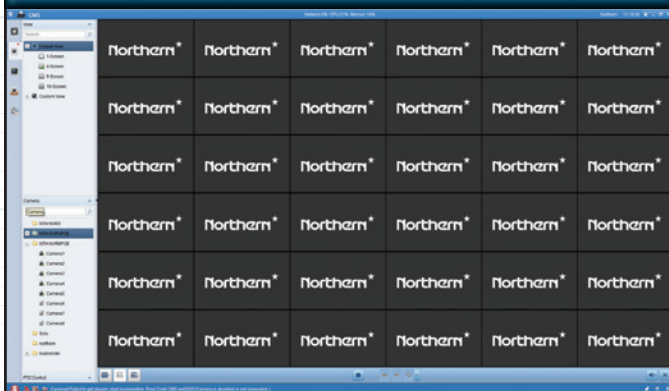
960H Compatibility

All DVR's are compatible with standard 960H analog cameras.

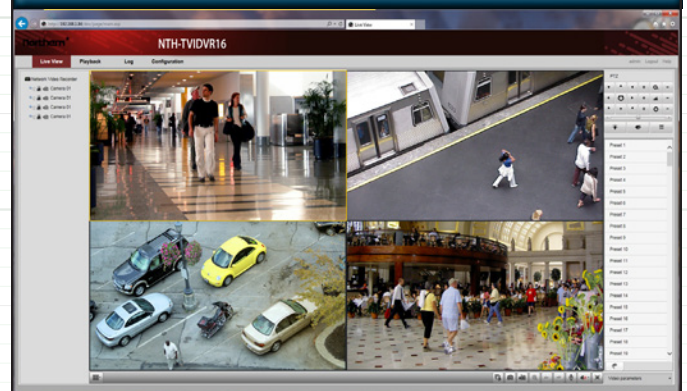
IP Camera Recording

4 Channel models can also record one additional IP Camera @ 2MP. 8 & 16 Channel models can record two additional IP cameras @ 2MP.

CMS Software For PC/Mac



Browser Based Remote Software



TVIDVR SERIES – HD-TVI 1080p DVR's

Hard Drive Configurations & Part Numbers / Package Contents

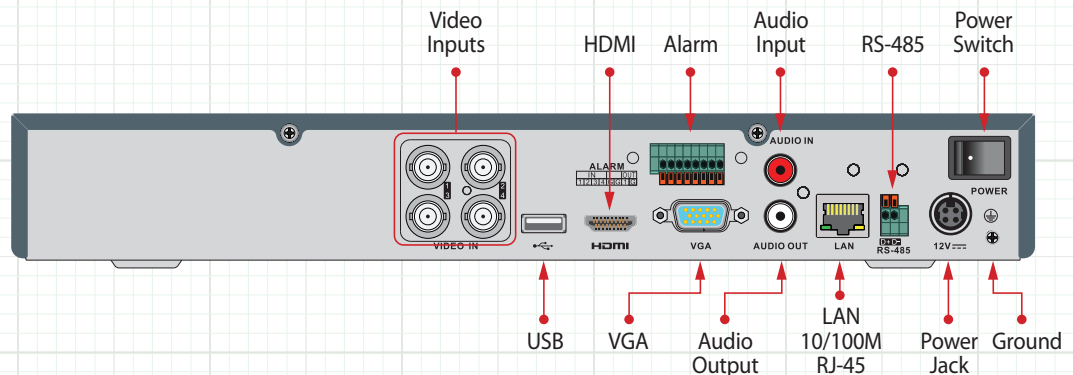
DRIVE SIZE	4 Channel	8 Channel	16 Channel
2TB	TVIDVR42T	TVIDVR82T	TVIDVR162T
4TB	TVIDVR44T	TVIDVR84T	TVIDVR164T
6TB	TVIDVR46T	TVIDVR86T	TVIDVR166T
8TB	N/A	N/A	TVIDVR168T
12TB	N/A	N/A	TVIDVR1612T

PACKAGE CONTENTS

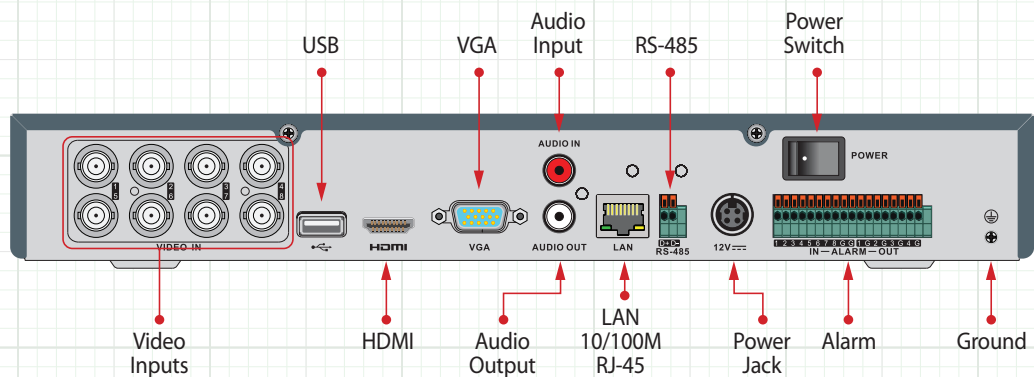
- 1. Power Supply / Cord
- 1. IR Remote Control
- 1. Software CD
- 1. Quick Start Manual
- 2. Rack Mount Ears (16Ch)
- 1. Mouse

Rear Panel Connections

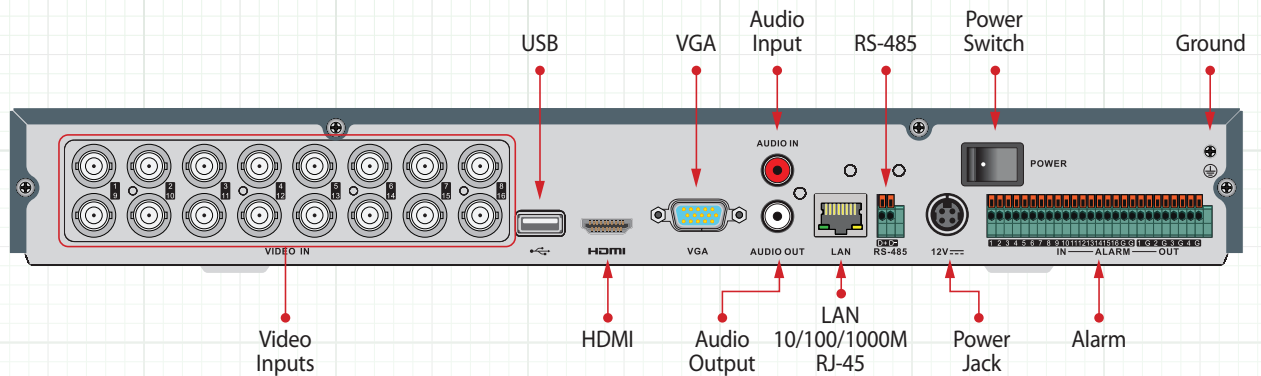
4 Ch. Models



8 Ch. Models



16 Ch. Models



TVIDVR Series Specifications

	FEATURES	TVIDVR4	TVIDVR8	TVIDVR16
Video/Audio Input	Video compression	H.264		
	HD-TVI/960H Video Input	4-Channel	8-Channel	16-Channel
	Supported Camera types	BNC Interface (1.0Vp-p, 75 Ω)		
	IP Video Input	1-Channel	2-Channel	
	Audio Compression	Up to 2.0MP Resolution		
	Audio Input	G.711u		
Video/Audio Output	HDMI / VGA output	1-Channel, RCA (2.0 Vp-p, 1 KΩ) - For both Audio/Two Way Audio		
	Encoding resolution	1920 × 1080/60 Hz, 1280 × 1024/60 Hz, 1280 × 720/60 Hz, 1024 × 768/60 Hz		
	Frame Rate	Main Stream: 1080P (15FPS) / 720P / VGA / WD1 / 4CIF / CIF Sub-Stream: WD1(15FPS) / 4CIF(15FPS) / CIF / QCIF / QVGA		
	Video Bitrate	Main stream: 1/16 fps ~ Real time frame rate Sub-stream: 1/16 fps ~ Real time frame rate		
	Audio Output	32 Kbps-6 Mbps		
	Audio Bitrate	1-Channel, RCA (Linear, 1KΩ)		
	Dual-Stream	64 Kbps		
	Stream Type	Supports		
	Playback Resolution	Video, Video & Audio		
	Record Mode Types	1080P / 720P / VGA / WD1 / 4CIF / CIF / QVGA / QCIF		
Recording & Playback	Record Time Periods	Motion, Continuous, Alarm, Motion, Motion & Alarm		
	Pre & Post Recording	8 Recording Time Periods with Separate Record Types		
	Recording Parameters	Pre & Post Recording for Alarm & Motion Detection / Pre Recording for Schedule & Manual Recording		
	Redundant Recording	Independent for Each Channel (Resolution, Frame Rate, Bit Rate, Image Quality, etc.)		N/A
	Zooming	Yes - Only for 2 HDD configurations		
	Synchronous Playback	Available in Live View & Playback		
	Playback Controls	4-Channel	8-Channel	16-Channel
	Searching	Pause, Reverse Play, Speed Up, Speed Down, Skip Forward, Skip Backward, Mouse Drag		
Network Mgmt.	Remote Connections	Search Recorded Files by Events (Alarm Input / Motion Detection)		
	Network Protocols	128		
Hard Disk	SATA	1 SATA Interface		2 SATA Interfaces
	Capacity	Up to 6TB Capacity For Each Disk		
	Max Storage	6TB		12TB
External Interface	Network Interface	1 x 10M / 100M Self-Adaptive Ethernet Interface		1 x 10M / 100M / 1000M Self-Adaptive Ethernet interface
	RS-485	1; Standard RS-485 Serial Interface, Half-Duplex		
	USB Interface	2 × USB2.0		
General	Alarm In/Out	4-In/1-Out	8-In/4-Out	16-In/4-Out
	Power Supply	12V DC		
	Consumption - (no HDD)	≤ 15W	≤ 20W	≤ 30W
	Operating Temperature	-10 °C ~+55 °C (14 °F ~ 131 °F)		
	Operating Humidity	10% ~ 90%		
	Chassis	1U Chassis		380mm 1U Chassis
	Dimensions(W × D × H)	315 × 242 × 45mm (12.4 × 9.5 × 1.8 inch)		380 × 290 × 48mm (15.0 × 11.4 × 1.9 inch)
Weight (w/o Drives)	≤ 1.5Kg (3.3lb)		≤ 2Kg (4.4lb)	

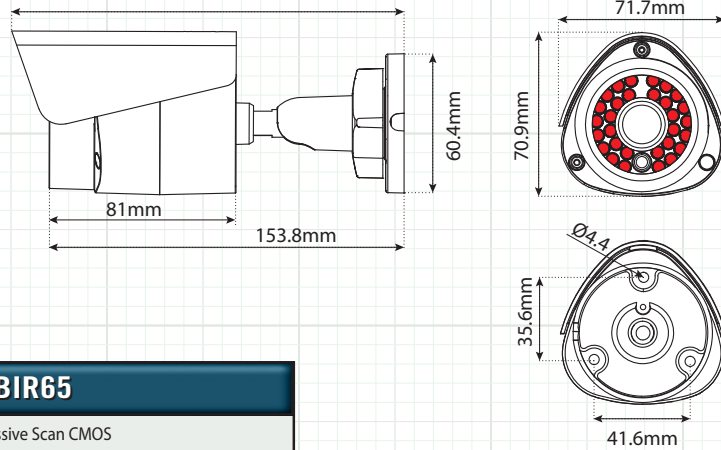
Note: Specification subject to change without notice

TVIBIR65

HD-TVI Full HD 1080p Outdoor 65' IR Bullet OSD - True D/N - True WDR - IP66 - UL/CUL - 3.6mm Lens



Dimensions



TVIBIR65

SPECIFICATION	TVIBIR65
Image Sensor	2MP Progressive Scan CMOS
Active Pixels	1944(H)*1092(V)
Resolution	1920 x 1080 (1080p) / 1280 x 720 (720p)
Scanning System	Progressive Scan
OSD (On Screen Display)	UTC Controlled (coaxial control)
True WDR (Wide Dynamic Range)	120dB
3D Digital Noise Reduction	2DNR + 3DNR (Adjustable)
Video Output	HD-TVI & 960H BNC Video Connectors
Lens Type - True Day Night	IR Type, 3.6mm (82.6° FOV)
Sense-up	Auto (x2 ~ x32 Adjustable) / OFF
Shutter Speed	Auto / FLK / 1/30s ~ 1/50,000s
IR Cut Filter	Yes - Built in Mechanical
Minimum Illumination	0.01 Lux @(F1.2, AGC ON), 0 Lux with IR
IR LED Count / Range	36 IR LED's / 65' / 850nm
S/N Ratio	More than 62dB
Automatic Gain Control	(0~15) Adjustable
Sync System	Internal Synchronization
White Balance	ATW / AWC-SET / MANUAL
Back Light Compensation	BLC / HSBLC / OFF / WDR
HSBLC	4 Zone (Adjustable)
Day/Night	Color/BW/EXT
Mirror	Mirror / V-Flip / Rotate / Off
Digital Zoom	(x2 ~ x62) Adjustable
Languages	English/ Japanese/ CHN1/ CHN2/ Korean/ German/ French/ Italian/ Spanish/ Polish/ Russian/ Portuguese/ Dutch/ Turkish/ Hebrew/ Arabic
Brightness	(1~100) Adjustable
Motion Detection	On/Off, Maximum 4 zones
Privacy Mask	On/Off, Maximum 8 zones
Power Input	12 VDC ±15%
Power Requirement	Max 4W
Overall Camera Dimensions	Φ70x149.5 mm (Φ2.76" x 5.89")
Weight	Approx 0.79lb / 360g
Operating Temperature	-30 °C ~ 60 °C (-22 °F ~ 140 °F)
Weatherproof Rating	IP 66
Certifications	UL / CUL Certified

FEATURES

- ◆ 1/3", 2MP CMOS Sensor
- ◆ Full HD 1080P Resolution
- ◆ True Wide Dynamic Range
- ◆ True Day/Night Mechanical IR Cut Filter
- ◆ 3.6mm Fixed Focal IR Lens
- ◆ Sense-up / Slow Shutter Speed
- ◆ TVI & 960H Video Outputs
- ◆ UTC Controllable OSD
- ◆ 12 Volt DC Power
- ◆ 3D Digital Noise Reduction
- ◆ 36 LED's / 65' IR Range
- ◆ Cable Management Mount
- ◆ IP66 Weatherproof
- ◆ UL/CUL Certified

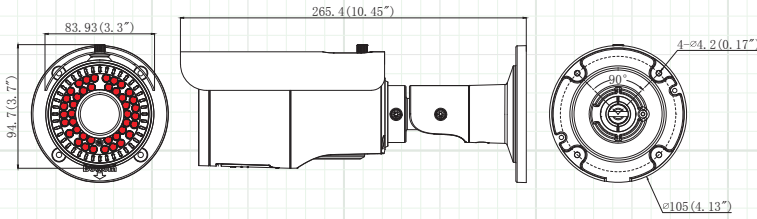
INCLUDED ACCESSORIES

1. User Manual
1. Mounting Hardware Packet
1. Mounting Template

Note: Specification subject to change without notice

HD-TVI Full HD 1080p Varifocal 120' IR Bullet w/Motorized Lens OSD - True D/N - True WDR - IP66 - UL/CUL - 2.8~12mm Lens

**HD-TVI
1080p**



Dimensions



TVIMBIR120

SPECIFICATION	TVIMBIR120
Image Sensor	2MP Progressive Scan CMOS
Active Pixels	1944(H)*1092(V)
Resolution	1920 x 1080 (1080p) / 1280 x 720 (720p)
Scanning System	Progressive Scan
OSD (On Screen Display)	UTC Controlled (coaxial control)
True WDR (Wide Dynamic Range)	120dB
3D Digital Noise Reduction	2DNR + 3DNR (Adjustable)
Video Output	HD-TVI & 960H BNC Video Connectors
Lens Type - Motorized	True Day Night, IR Type, 2.8~12mm @ F1.4 (103° - 32.1° FOV)
Sense-up	Auto (x2 ~ x32 Adjustable) / OFF
Shutter Speed	Auto / FLK / 1/30s ~ 1/50,000s
IR Cut Filter	Yes - Built in Mechanical
Minimum Illumination	0.014 Lux @ (F1.4, AGC ON), 0 Lux with IR
IR LED Count / Range	42IR LED's / 120' / 850nm
S/N Ratio	More than 62dB
Automatic Gain Control	(0~15) Adjustable
Sync System	Internal Synchronization
White Balance	ATW / AWC-SET / MANUAL
Back Light Compensation	BLC / HSBLC / OFF / WDR
HSBLC	4 Zone (Adjustable)
Day/Night	Color/BW/EXT
Mirror	Mirror / V-Flip / Rotate / Off
Digital Zoom	(x2 ~ x62) Adjustable
Languages	English/ Japanese/ CHN1/ CHN2/ Korean/ German/ French/ Italian/ Spanish/ Polish/ Russian/ Portuguese/ Dutch/ Turkish/ Hebrew/ Arabic
Brightness	(1~100) Adjustable
Motion Detection	On/Off, Maximum 4 zones
Privacy Mask	On/Off, Maximum 8 zones
Power Input	12 VDC±15%, 24 VAC±15%
Power Requirement	Max 12W
Overall Camera Dimensions	Ø70x149.5 mm (Ø2.76" x 5.89")
Weight	Approx 0.79lb / 360g
Operating Temperature	-40 °C ~ 60 °C (-40 °F ~ 140 °F)
Heater	Built-in
Weatherproof Rating	IP 66
Certifications	UL / CUL Certified

Note: Specification subject to change without notice

FEATURES

- ◆ 1/3"; 2MP CMOS Sensor
- ◆ Full HD 1080p Resolution
- ◆ 2.8~12mm Motorized IR Lens
- ◆ True Wide Dynamic Range
- ◆ True D/N Mechanical IR Cut Filter
- ◆ Joystick & UTC Controllable OSD
- ◆ Easy Access OSD Hatch
- ◆ TVI & 960H Video Outputs
- ◆ Video Test Output/Cable (960H)
- ◆ Sense-up / Slow Shutter Speed
- ◆ 12VDC/24VAC Dual Voltage Power
- ◆ 3D Digital Noise Reduction
- ◆ 42 IR LED's / 120' IR Range
- ◆ Built-in Heater / -40° Operating Temp.
- ◆ 3-Axis Cable Management Mount
- ◆ IP66 Weatherproof
- ◆ UL/CUL Certified

INCLUDED ACCESSORIES

1. User Manual
1. Mounting Hardware Packet
1. Video Test Cable
1. L Style Wrench
1. Mounting Template

TVIDWMIR / TVIDWMIRW

HD-TVI, Full HD 1080p Outdoor **IR** Eyeball Camera True D/N, 3DNR, UTC & Cable OSD, 3.6mm, 60' IR Range



TVIDWMIR

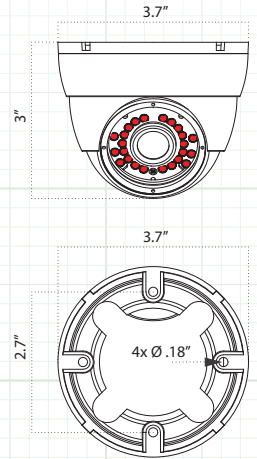


TVIDWMIRW

Mounting Base
Locking Collar



In-Line
Cable Mounted
OSD Control



Dimensions

SPECIFICATION	TVIDWMIR	TVIDWMIRW
Image Sensor	1/3" Sony CMOS Sensor	
Total Pixels	1984 x 1225	
Active Pixels	1920 x 1080	
Resolution	1920 x 1080 (1080p)	
Scanning System	Progressive Scan	
OSD (On Screen Display)	Dual OSD Access: Cable Mounted Joystick Controlled / UTC Controlled (coaxial control)	
Digital WDR (Wide Dynamic Range)	Auto / Off / On - 0 ~ 8 Adjustable	
DNR (Digital Noise Reduction)	2D & 3D, Low, Middle, High, Off	
Video Output	Dual Pigtail HD-TVI Main Output (yellow) / 960H Secondary Output (black)	
Lens Type - True Day Night	3.6mm Fixed Focal Lens	
Sense-up	Off / x2 ~ x30	
Shutter Speed	Auto, FLK, 1/30 ~ 1/50,000, x2 ~ x30	
IR Cut Filter	Built in Mechanical	
Minimum Illumination	0.0 Lux IR LED On	
IR LED Count / Range	24 IR LED's / 60' Range / 850nm	
S/N Ratio	More than 50dB	
Automatic Gain Control	0 ~ 100 Adjustable	
Sync System	Internal	
Gamma Characteristics	γ = 0.45 typ.	
White Balance	ATW / AWC->Set / Indoor / Outdoor / Manual	
Back Light Compensation	Off / BLC / HSBLC	
HBLC (High Back Light Compensation)	On / Off	
Day/Night	EXT / Auto / Color / B/W	
Mirror	Mirror / V-Flip / Rotate / Off	
Languages	English, French, Spanish, German, Italian (see OSD Menu for more)	
Brightness	0 ~ 100 Adjustable	
Motion Detection	On/Off (4 Zone Selectable)	
Privacy Mask	On/Off (4 Zone Selectable)	
Power Input	12VDC Only	
Power Requirement	120mA / 450mA IR LED ON	
Overall Camera Dimensions	3.7" x 2.6" (95mm x 65mm)	
Housing / Color	Aluminum - Gray	Aluminum - White
Weight	.75 Lb.	
Operating Temperature	-14°F ~ 122°F	
Weatherproof Rating	IP66	

Note: Specification subject to change without notice

FEATURES

- ◆ 1/3" Sony CMOS Sensor
- ◆ Full HD 1080p Resolution
- ◆ True Day/Night Mechanical IR Cut Filter
- ◆ Digital Wide Dynamic Range
- ◆ 3.6mm Fixed Focal Lens
- ◆ 3-Axis Wall or Ceiling Mountable
- ◆ Sense-up / Slow Shutter Speed
- ◆ UTC & Joystick Controllable OSD
- ◆ 3D Digital Noise Reduction
- ◆ 24 IR LED's / 60' IR Range
- ◆ 12 Volt DC Power
- ◆ IP66 Weatherproof

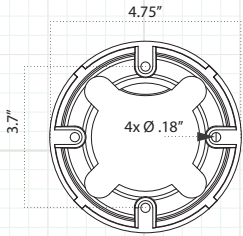
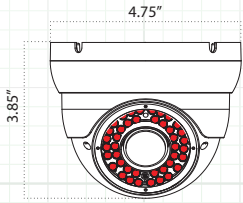
INCLUDED ACCESSORIES

1. Camera
1. User Manual
1. Mounting Screws

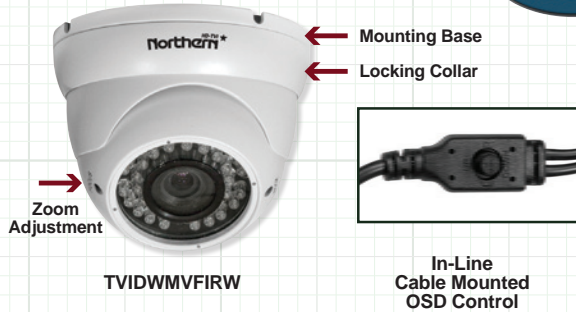


TVIDWMVFIR / TVIDWMVFIRW

HD-TVI, Full HD 1080p Outdoor IR Eyeball Camera True D/N, 3DNR, UTC & Cable OSD, 2.8-12mm, 90' IR Range



Dimensions



TVIDWMVFIR

In-Line Cable Mounted OSD Control



TVIDWMVFIRW

SPECIFICATION	TVIDWMVFIR	TVIDWMVFIRW
Image Sensor	1/3" Sony CMOS Sensor	
Total Pixels	1984 x 1225	
Active Pixels	1920 x 1080	
Resolution	1920 x 1080 (1080p)	
Scanning System	Progressive Scan	
OSD (On Screen Display)	Dual OSD Access: Cable Mounted Joystick Controlled / UTC Controlled (coaxial control)	
Digital WDR (Wide Dynamic Range)	Auto / Off / On - 0 ~ 8 Adjustable	
DNR (Digital Noise Reduction)	2D & 3D, Low, Middle, High, Off	
Video Output	Dual Pigtail HD-TVI Main Output (yellow) / 960H Secondary Output (black)	
Lens Type - True Day Night	2.8 12mm Varifocal Lens	
Sense-up	Off / x2 ~ x30	
Shutter Speed	Auto, FLK, 1/30 ~ 1/50,000, x2 ~ x30	
IR Cut Filter	Built in Mechanical	
Minimum Illumination	0.0 Lux IR LED On	
IR LED Count / Range	36 IR LED's / 90' Range / 850nm	
S/N Ratio	More than 50dB	
Automatic Gain Control	0 ~ 100 Adjustable	
Sync System	Internal	
Gamma Characteristics	γ = 0.45 typ.	
White Balance	ATW / AWC->Set / Indoor / Outdoor / Manual	
Back Light Compensation	Off / BLC / HSBLC	
HBLC (High Back Light Compensation)	On / Off	
Day/Night	EXT / Auto / Color / B/W	
Mirror	Mirror / V-Flip / Rotate / Off	
Languages	English, French, Spanish, German, Italian (see OSD Menu for more)	
Brightness	0 ~ 100 Adjustable	
Motion Detection	On/Off (4 Zone Selectable)	
Privacy Mask	On/Off (4 Zone Selectable)	
Power Input	12VDC Only	
Power Requirement	180mA / 550mA IR LED ON	
Overall Camera Dimensions	4.7" x 3.4" (120mm x 88mm)	
Housing / Color	Aluminum - Gray	Aluminum - White
Weight	1.6 Lb.	
Operating Temperature	-14°F ~ 122°F	
Weatherproof Rating	IP66	

Note: Specification subject to change without notice

FEATURES

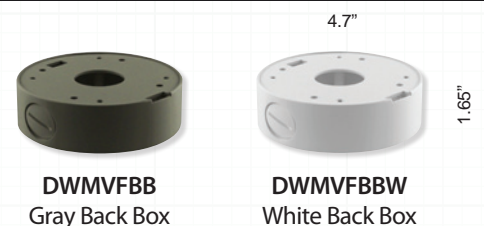
- ◆ 1/3" Sony CMOS Sensor
- ◆ Full HD 1080p Resolution
- ◆ True Day/Night Mechanical IR Cut Filter
- ◆ Digital Wide Dynamic Range
- ◆ 2.8 ~ 12mm Varifocal Lens
- ◆ 3-Axis Wall or Ceiling Mountable
- ◆ Sense-up / Slow Shutter Speed
- ◆ UTC & Joystick Controllable OSD
- ◆ 3D Digital Noise Reduction
- ◆ 36 IR LED's / 90' IR Range
- ◆ 12 Volt DC Power
- ◆ IP66 Weatherproof

INCLUDED ACCESSORIES

1. Camera
1. User Manual
1. Mounting Screws



RECOMMENDED ACCESSORIES



DWMVFBB
Gray Back Box

DWMVFBBW
White Back Box

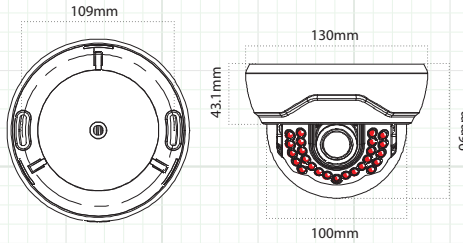
TVID212IR

HD-TVI, Full HD 1080p Indoor **IR** Dome Camera

True D/N, DWDR, 3DNR, UTC, 2.8~12mm, 82' IR Range



TVID212IR



Dimensions



TVID212IR
Shown with Wall Mount
(included)



TVID212IR
Shown with White Cover
(included)

SPECIFICATION	TVID212IR
Image Sensor	1/2.9" Sony CMOS Sensor
Total Pixels	2010 (H) x 1108 (V)
Active Pixels	1944 (H) x 1092 (V)
Resolution	Digital: 1920 x 1080 (1080p), 1280 x 720 (720p) / Analog: 700TVL
Scanning System	Progressive Scan
OSD (Dual Access On Screen Display)	Internal Joystick Controlled / UTC (coaxial control)
Digital WDR (Wide Dynamic Range)	High / Middle / Low / OFF
3D DNR (Digital Noise Reduction)	High / Middle / Low / OFF
Video Output	HD-TVI Main Output with CVBS Internal Test Monitor Port
Lens Type - True Day Night	2.8 ~ 12mm Varifocal Auto Iris Lens
Sense-up	OFF / x2 - x8
Shutter Speed	Auto / Manual (1/30 ~ 1/60,000)
IR Cut Filter	Built-In Mechanical
Minimum Illumination	Color 0.002 Lux, B/W 0.001
IR LED Count / Range	24 IR LED's / 82' IR Range - 850nm
S/N Ratio	More than 50dB (AGC OFF)
Automatic Gain Control	0 ~ 20 Steps
Sync System	Internal / External (L/L)
Gamma	$\gamma = 0.45$ typ.
White Balance	Auto / Autoext / Manual
Back Light Compensation	BLC (H/V Position & Size) / OFF
HLC (High Light Compensation)	ON / OFF
Day/Night	Auto_CDS / Color / B&W
Mirror	Rotate / V-Flip / H-Flip / Off
Digital Zoom	ON / OFF (x1 ~ x8)
Languages	English / French / Spanish / German / Italian
Brightness	Adjustable 0 ~ 20
Motion Detection	ON / OFF
Privacy Mask	ON / OFF (16 Zone Selectable)
Power Input	12VDC/24VAC Dual Voltage Power
Power Requirement	Max 600mA w/ IR LED
Reverse Polarity Protection	Yes
Overall Camera Dimensions	5.2" (W) x 3.8" (H)
Weight	Approx. 1.1lb
Operating Temperature	14°F ~ 122°F
Weatherproof Rating	Indoor Only

FEATURES

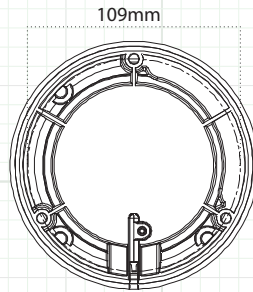
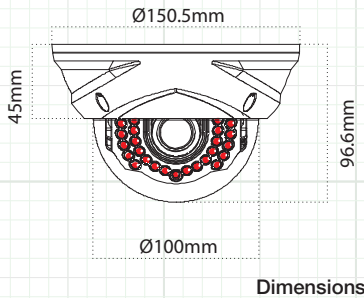
- ◆ Sony Progressive Scan CMOS
- ◆ Full HD 1080p Resolution
- ◆ True Day/Night Mechanical IR Cut Filter
- ◆ Digital Wide Dynamic Range
- ◆ 2.8 ~ 12mm Varifocal Auto Iris Lens
- ◆ 3-Axis Wall or Ceiling Mountable
- ◆ White & Black Housing Covers Included
- ◆ Sense-up / Slow Shutter Speed
- ◆ UTC & Joystick Controllable OSD
- ◆ 3D Digital Noise Reduction
- ◆ 24 IR LED's / 82' IR Range
- ◆ 12VDC/24VAC Dual Voltage Power
- ◆ Video Test Output & Cable (960H)
- ◆ Manual 360° Horizontal Rotation
- ◆ Lined Dome Cover
- ◆ Included Wall Mount

INCLUDED ACCESSORIES

1. User Manual
1. Mounting Hardware Packet
1. Video Test Cable
1. Wall Mount
1. White Housing Cover

Note: Specification subject to change without notice

HD-TVI, Full HD 1080p Outdoor **IR** Dome Camera True D/N, DWDR, 3DNR, UTC, 2.8~12mm, 82' IR Range



TVIDTW212IR
Shown with White Paintable
Snap-on Cover (included)



TVIDTW212IR

SPECIFICATION	TVIDTW212IR
Image Sensor	1/2.9" Sony CMOS Sensor
Total Pixels	2010 (H) x 1108 (V)
Active Pixels	1944 (H) x 1092 (V)
Resolution	Digital: 1920 x 1080 (1080p), 1280 x 720 (720p) / Analog: 700TVL
Scanning System	Progressive Scan
OSD (On Screen Display)	Dual OSD Access: Internal Joystick Controlled / UTC (coaxial control)
Digital WDR (Wide Dynamic Range)	High / Middle / Low / OFF
3D DNR (Digital Noise Reduction)	High / Middle / Low / OFF
Video Output	HD-TVI Main Output with CVBS Internal Test Monitor Port
Lens Type - True Day Night	2.8 ~ 12mm Varifocal Auto Iris Lens
Sense-up	OFF / x2 - x8
Shutter Speed	Auto / Manual (1/30 ~ 1/60,000)
IR Cut Filter	Built-In Mechanical
Minimum Illumination	Color 0.002 Lux, B/W 0.001
IR LED Count / Range	24 IR LED's / 82' IR Range - 850nm
S/N Ratio	More than 50dB (AGC OFF)
Automatic Gain Control	0 ~ 20 Steps
Sync System	Internal / External (L/L)
Gamma	y = 0.45 typ.
White Balance	Auto / Autoext / Manual
Back Light Compensation	BLC (H/V Position & Size) / OFF
HLC (High Light Compensation)	ON / OFF
Day/Night	Auto_CDS / Color / B&W
Mirror	Rotate / V-Flip / H-Flip / Off
Digital Zoom	ON / OFF (x1 ~ x8)
Languages	English / French / Spanish / German / Italian
Brightness	Adjustable 0 ~ 20
Motion Detection	ON / OFF
Privacy Mask	ON / OFF (16 Zone Selectable)
Power Input	12VDC/24VAC Dual Voltage Power
Power Requirement	Max 600mA w/ IR LED
Reverse Polarity Protection	Yes
Overall Camera Dimensions	5.9" (W) x 3.8" (H)
Weight	Approx. 2.0lb
Operating Temperature	-20°F ~ 122°F
Weatherproof Rating	IP 68

Note: Specification subject to change without notice

FEATURES

- ◆ Sony Progressive Scan CMOS
- ◆ Full HD 1080p Resolution
- ◆ True Day/Night Mechanical IR Cut Filter
- ◆ Digital Wide Dynamic Range
- ◆ 2.8 ~ 12mm Varifocal Auto Iris Lens
- ◆ Tamper Resistant / IP68 Weatherproof
- ◆ 3-Axis Wall or Ceiling Mountable
- ◆ White Paintable Snap-on Cover Included
- ◆ Sense-up / Slow Shutter Speed
- ◆ UTC & Joystick Controllable OSD
- ◆ 3D Digital Noise Reduction
- ◆ 12VDC/24VAC Dual Voltage Power
- ◆ 24 IR LED's / 82' IR Range
- ◆ Video Test Output & Cable (960H)
- ◆ Manual 360° Horizontal Rotation

INCLUDED ACCESSORIES

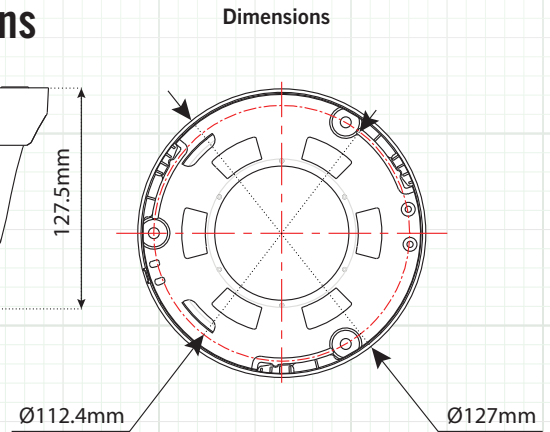
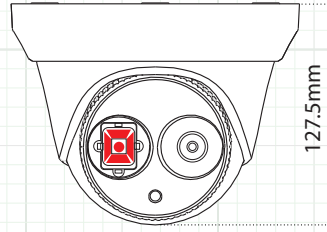
1. User Manual
1. Mounting Hardware Packet
1. Video Test Cable
1. L-Style Wrench
1. White Paintable Snap-on Cover

TVITIR100

HD-TVI Full HD 1080p Outdoor 100' IR Turret OSD - True D/N - True WDR - IP66 - UL/CUL - 2.8mm Lens



TVITIR100



SPECIFICATION	TVITIR100
Image Sensor	2MP Progressive Scan CMOS
Active Pixels	1944(H)*1092(V)
Resolution	1920 x 1080 (1080p) / 1280 x 720 (720p)
Scanning System	Progressive Scan
OSD (On Screen Display)	UTC Controlled (coaxial control)
True WDR (Wide Dynamic Range)	120dB
3D Digital Noise Reduction	2DNR + 3DNR (Adjustable)
Video Output	HD-TVI & 960H BNC Video Connectors
Lens Type - True Day Night	IR Type, 2.8mm (103.5° FOV)
Sense-up	Auto (x2 ~ x32 Adjustable) / OFF
Shutter Speed	Auto / FLK / 1/30s ~ 1/50,000s
IR Cut Filter	Yes - Built in Mechanical
Minimum Illumination	0.01 Lux @(F1.2,AGC ON), 0 Lux with IR
IR LED Count / Range	1 High Output LED / 100' / 850nm
S/N Ratio	More than 62dB
Automatic Gain Control	(0~15) Adjustable
Sync System	Internal Synchronization
White Balance	ATW / AWC-SET / MANUAL
Back Light Compensation	BLC / HSBLC / OFF / WDR
HSBLC	4 Zone (Adjustable)
Day/Night	Color/BW/EXT
Mirror	Mirror / V-Flip / Rotate / Off
Digital Zoom	(x2 ~ x62) Adjustable
Languages	English/ Japanese/ CHN1/ CHN2/ Korean/ German/ French/ Italian/ Spanish/ Polish/ Russian/ Portuguese/ Dutch/ Turkish/ Hebrew/ Arabic
Brightness	(1~100) Adjustable
Motion Detection	On/Off, Maximum 4 zones
Privacy Mask	On/Off, Maximum 8 zones
Power Input	12 VDC±15%
Power Requirement	Max 5W
Overall Camera Dimensions	Ø114.6 × 89.1mm(Ø4.5" × 3.5")
Weight	Approx 0.94lb / 420g
Operating Temperature	-30 °C ~ 60 °C (-22 °F ~ 140 °F)
Weatherproof Rating	IP 66
Certifications	UL / CUL Certified

FEATURES

- ◆ 1/3", 2MP CMOS Sensor
- ◆ Full HD 1080P Resolution
- ◆ True Wide Dynamic Range
- ◆ True D/N Mechanical IR Cut Filter
- ◆ 2.8mm Fixed Focal IR Lens
- ◆ Sense-up / Slow Shutter Speed
- ◆ TVI & 960H Video Outputs
- ◆ UTC Controllable OSD
- ◆ 12 Volt DC Power
- ◆ 3D Digital Noise Reduction
- ◆ 1 Super LED / 100' IR Range
- ◆ 3-Axis Wall or Ceiling Mountable
- ◆ IP66 Weatherproof
- ◆ UL/CUL Certified

Note: Specification subject to change without notice

INCLUDED ACCESSORIES

1. User Manual
1. Mounting Hardware Packet
1. Mounting Template