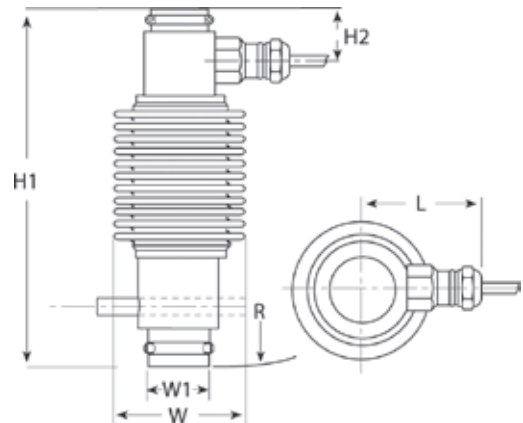


RC1

Rocker Column, Stainless Steel, NTEP Certified 1:10,000, OIML Multiple, Hermetically Sealed, IP69K



Picture is a representation of actual product



Specifications

Full Scale Output:

2.0 mV/V

Output Resistance:

351 (± 1) ohms

Input Resistance:

400 (± 15) ohms

Material/Finish:

Stainless steel

Temperature:

Compensated range
14°F to 104°F (-10°C to 40°C)
Operating range
-40°F to 150°F (-40°C to 65°C)

Safe Overload:

200% full scale

Safe Sideload:

200% full scale

Rated Excitation:

5-10 VDC (15 V maximum)

Combined Error:

0.02% full scale

Insulation Resistance:

5,000 megohms

Seal Type:

Hermetically sealed, IP69K

Cable Length:

250 kN-35 ft (10 m)
400 kN-60 ft (18 m)
*50,000 lb-15 ft overbraid

Cable Diameter:

0.307 polyurethane jacket

Cable Color Code:

Green+ Excitation
Black- Excitation
White+ Signal
Red- Signal
Yellow Shield

Warranty:

One-year limited warranty

Approvals:



Available upon request

Dimensions

RATED CAPACITY	H1	H2	L	R	W	W1
lb/inches						
50,000/250 kN	7.56	1.22	2.44	10.98	2.83	1.46
400 kN	8.86	1.34	2.72	14.02	3.35	1.46
kg/mm						
25,401.6	192.0	31.0	62.0	279.0	72.0	37.0
40,824.0	225.0	34.0	69.0	356.0	85.0	37.0

Order Information

LOAD RATING	PART #	EST. SHIPPING WEIGHT	PRICE
250 kN** (56,000 lb*/25,401.6 kg)	36217	8 lb	\$795.00
400 kN (90,000 lb*/40,824.0 kg)	36218	10 lb	1,350.00
50,000 lb*	170734	8 lb	995.00
ACCESSORIES			
Conduit adapter, 1/2-14 NPT	17703	1 lb	40.00
Load cup**, upper (250 kN only)	71602	-	135.00
Load cup**, lower (250 kN only)	44290	-	135.00
Anti-rotation pin (zinc plated)	110816	-	3.00
Anti-rotation pin*** (stainless steel)	152649	-	10.00

*Stainless overbraid cable

**For Mettler-Toledo® digital to analog conversion: requires replacement of all system load cells, junction box, and instrumentation; consult factory. Kit on page 102.

***For load cell

Interchangeable Products

MANUFACTURER	PART #	MODEL
Fairbanks®	63215	LCF-HR4020-1
Fairbanks®	82052	-

