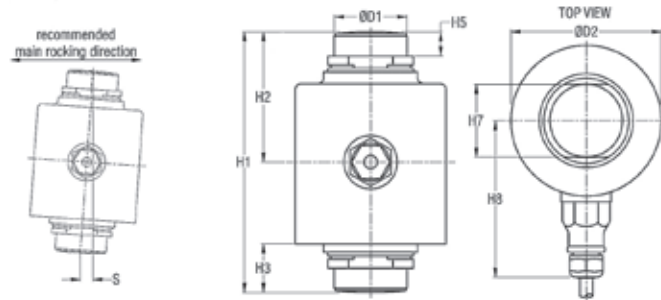


RC3

Rocker Cell, Stainless Steel, NTEP Certified 1:10,000 III, OIML C3 Multiple, Hermetically Sealed, IP69K



Picture is a representation of actual product



Specifications

Full Scale Output:
2.0 mV/V

Output Resistance:
1,000 (± 2) ohms

Input Resistance:
1,150 (± 50) ohms

Material/Finish:
Stainless steel

Temperature:
Compensated range
14° F to 104° F (-10° C to 40° C)
Operating range
-40° F to 150° F (-40° C to 65° C)

Safe Overload:
200% full scale

Safe Sideload:
200% full scale

Rated Excitation:
5-10 VDC (15 V maximum)

Combined Error:
0.02% full scale

Insulation Resistance:
5,000 megohms

Seal Type:
Hermetically sealed IP69K

Cable Length:
59.1 ft (18 m)
(7.5 t - 22.5 t 40 ft cables)

Cable Diameter:
0.307 polyurethane jacket

Cable Color Code:

- Green+ Excitaton
- Black.....- Excitation
- White+ Signal
- Red- Signal
- Yellow Shield

Warranty:
One-year limited warranty

Approvals:



Available upon request

Dimensions

RATED CAPACITY	H1	H2	H3	H5	H7	H8	D1	D2
t/in								
7.5t - 22.5t	3.50	1.73	0.67	0.43	1.10	2.95	1.10	2.56
30t	5.51	2.76	2.20	0.51	1.55	3.31	1.55	3.19
40t	5.91	2.95	1.22	0.51	1.55	3.31	1.55	3.19
50t	7.01	3.50	1.26	0.67	1.73	3.71	1.73	3.90
t/mm								
7.5t-22.5t	89.00	44.00	17.00	11.00	28.00	75.00	28.00	65.00
30t	140.00	70.00	26.00	13.00	39.00	84.00	39.00	81.00
40t	150.00	75.00	31.00	13.00	39.00	84.00	39.00	81.00
50t	178.00	89.00	32.00	17.00	44.00	94.00	44.00	99.00

Order Information

LOAD RATING	PART #	EST. SHIPPING WEIGHT	PRICE
7.5t	168944	3 lb	\$725.00
15t	168946	3 lb	725.00
22.5t	168947	3 lb	725.00
30t	84203	7 lb	925.00
40t	84204	9 lb	925.00
50t	84205	10 lb	1,195.00
Upper cup (50 t)**	111365	5 lb	135.00
Lower cup(50t)**	111366	5 lb	135.00
Upper cup (50 t)***	154107	5 lb	135.00
Lower cup (50 t)***	154106	5 lb	135.00

**For Mettler-Toledo® digital to analog conversion: requires replacement of all system load cells, junction box and instrumentation; consult factory. Kit on page 102.

***Replacement cups for kits 129844 and 111367 on page 104.

Interchangeable Products

MANUFACTURER	MODEL	PART NUMBER
Fairbanks®* 30 t	LCFHR4020-2A	70510

