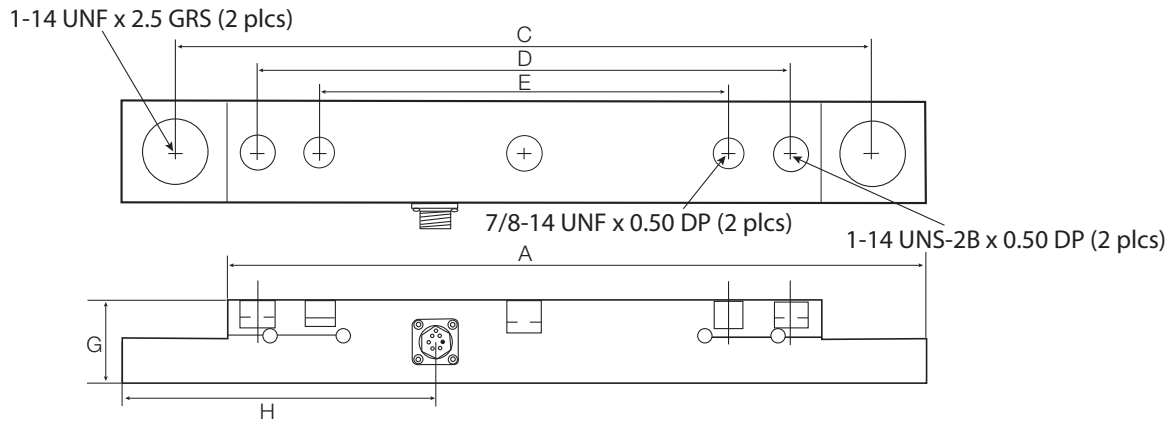


# AX3040

Load Cell, Alloy Steel, Environmentally Sealed, IP66

**NEW**  
Lower Price



## Specifications

<b>Full Scale Output:</b> 0.5mV/V at 12,500 lb	<b>Temperature:</b> 14° F to 104° F (-10° C to 40° C)	<b>Non-linearity:</b> ±1.0% full scale	<b>Cable Length:</b> Connection
<b>Output Resistance:</b> 350 (nominal)	<b>Manufacturer Model Number:</b> SI 8300420-10	<b>Insulation Resistance:</b> 5,000 megohms at 50VDC	<b>Warranty:</b> One-year limited warranty
<b>Input Resistance:</b> 350 (nominal)	<b>Rated Excitation:</b> 15VDC	<b>Seal Type:</b> Environmentally sealed	
<b>Material/Finish:</b> Alloy steel			

## Dimensions

RATED CAPACITY	A	B	C	D	E	F	G	H
kg/lb/inches								
20,000	22.60	24.60	19.60	15.00	11.50	2.84	2.378	8.8

## Order Information

LOAD RATING	PART #	EST. SHIPPING WEIGHT	PRICE
20,000 lb (9,000 kg)	111766	40 lb	\$1,050.00