

# Sarix® IWP Series Vandal Resistant Wedge

## UP TO 2 MEGAPIXEL, H.264, DAY/NIGHT IP DOMES

### Product Features

- Up to 2 megapixel (MPx) resolution
- Up to 30 images per second (ips) at 2 MPx
- Up to 64 GB edge storage with Micro SD Card
- Motion detection and camera sabotage detection
- Operating temperature from -10° to 55°C (14° to 131°F)
- Power over Ethernet (PoE)
- Pelco Smart Compression Technology
- Vandal resistant to IK10
- IP66 ingress protection
- Compatible with Pelco and third-party video systems
- ONVIF Profile S, Profile G, and Profile Q conformant
- Full 3-year warranty and support

### Sarix Professional Range

Powerful, versatile, and affordable, the **Sarix® Professional (P)** range cameras pack the most popular features and functionality of Sarix technology into a wide range of indoor and outdoor options, including bullet cameras and mini domes. There are also options such as a vandal resistant wedge and micro dome. Mix and match the performance options and form factor you need for almost any lighting condition, environment, and application.

### Camera

Within the **Sarix Professional** range, the **Sarix IWP Series** vandal resistant wedge cameras feature a fixed 2.8 mm lens for surveillance needs in tight spaces. Additionally, the **Sarix IWP Series** features advanced color science and a mechanical IR cut filter for increased sensitivity in low-light installations.

### Video

**Sarix Professional** range cameras support up to two simultaneous video streams and a third service stream. The two streams can be compressed with efficient H.264 High or Main profiles or MJPEG formats. The streams can be configured to a variety of frame rates and variable bit rates to optimize image quality with bandwidth and storage efficiency.



### Edge Storage

**Sarix Professional** range cameras feature onboard edge storage with a micro SD card. Video clips of varying lengths can be stored to the card upon alarm, or video can be written continuously to the SD card in the case of network outage. Video can be retrieved from the card through the FTP protocol or by using an ONVIF Profile G enabled client.

**Sarix Professional** range cameras feature a simple motion detection algorithm that allows the camera to record or send an alarm when there is motion detected in a selected zone or within the entire scene. A camera sabotage alarm is triggered if the lens is obstructed or when the camera is repositioned.

### Open and Integrated

**Sarix Professional** range cameras seamlessly connect to Pelco video management systems such as VideoXpert™, Endura® version 2.0 (or later), and Digital Sentry® version 7.3 (or later). **Sarix Professional** range cameras integrate with major third-party systems through the open Pelco API or the ONVIF Profile S, Profile G, and Profile Q standards.

### Standard Web Interface

Pelco cameras use a standard Web browser interface for easy remote setup and administration. Controls are optimized for convenient one-step camera configuration for features including color, exposure, flicker control, and streaming.



by Schneider Electric



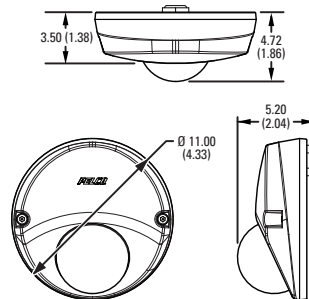
C4023 / REVISED 2-23-17

# TECHNICAL SPECIFICATIONS

## BACK BOX FEATURES



VALUES IN PARENTHESES ARE INCHES; ALL OTHERS ARE CENTIMETERS.



### Surface Mount

- White, RAL 9003
- IP66 Ingress Protection
- IK10 (20J) Impact Resistance

## CAMERA

Imaging Device

MPx	Sensor	Maximum Resolution
2 MPx	1/2.8-inch	1920 x 1080 (2 MPx)
1 MPx	1/3-inch	1280 x 960 (1.2 MPx)

Imager Type

CMOS

Imager Readout

Progressive scan

Electronic Shutter Range

1/5 ~ 1/30,000 sec (1 MPx),  
1/5 ~ 1/25,000 sec (2 MPx)

Wide Dynamic Range

75 dB, 90 dB (Backlight Compensation On)

White Balance Range

2,000° to 10,000°K

Noise Reduction

Yes (ON/OFF selectable)

Minimum Illumination

MPx	Sensitivity	Color		Mono	
		33 ms	200 ms	33 ms	200 ms
2 MPx	f/1.8	0.25 lux	0.02 lux	0.10 lux	0.01 lux
1 MPx	f/1.8	0.05 lux	0.02 lux	0.10 lux	0.01 lux

Mechanical IR Cut Filter

Yes (AUTO/MANUAL selectable), with different set points on lux

Signal to Noise Ratio

≥50 dB

## LENS

Lens Type

Built-in; fixed

Focal Length

f/1.8, 2.8 mm

Field of View\*

Lens	Angle of View	1 MPx	2 MPx
2.8 mm	Diagonal	128°	132.8°
	Horizontal	98°	115.1°
	Vertical	73.5°	64°

\*Field of view may vary with changes in resolution settings.

# TECHNICAL SPECIFICATIONS

## VIDEO

Video Streams Up to 2 simultaneous streams, plus service stream; the secondary stream is variable based on the setup of the primary stream  
Video Overlay Camera name, time, date, and customizable text with multiple supported languages

Available Resolutions

MPx	Width	Height	Aspect Ratio
2.1	1920	1080	16:9
1.9	1600	1200	4:3
1.2	1280	960	4:3
0.9	1280	720	16:9
0.5	800	600	4:3
0.3	640	480	4:3
0.1	320	240	4:3
0.1	320	180	16:9

Frame Rates

MPx	Images per Second (ips)
2 MPx	30 (full), 20, 25, 16.67, 15, 12.5, 10, 5, 1
1 MPx	30 (full), 20, 25, 16.67, 15, 12.5, 10, 5, 1

**Note:** Available frame rates are selectable for each independent stream depending on the coding, resolution, and stream configuration.

Video Encoding H.264 High, Main, and Baseline profiles; and MJPEG  
Bit Rate Control Constant bit rate (CBR), constrained variable bit rate (CVBR) with configurable maximum value  
Corridor Mode Electronic image flip and mirror: 180°, 90° and 270° (H.264 only)  
Service Stream 640 x 480 or 640 x 352; 2 ips, JPEG  
Window Blanking 4 configurable windows

## PELCO'S SMART COMPRESSION TECHNOLOGY

Pelco's Smart Compression Technology lowers bandwidth and storage requirements by up to 70%. Our technology allows the user to make intelligent decisions regarding storage savings and image quality.

Pelco's Smart Compression Technology dynamically analyzes motion occurring within live video in real-time, to intelligently compress the information you don't need, while retaining details with clear quality in the areas that are important in the scene. By enabling Dynamic GOP, an added feature of Smart Compression, the number of I-frames are automatically reduced in scenes with low motion. Based on the complexity of scenes and motion occurring, such as a store room that has limited entry and exit, up to 70% bandwidth savings can be achieved.

## AUDIO

Streaming Bi-directional  
Input Line in and out  
Encoding G.711 A-law/G.711 U-law

## ELECTRICAL

Network Port RJ-45 connector for 100Base-TX  
Power Input PoE (IEEE 802.3af) Class 2  
Power Consumption 4 W (1.2 MPx), 4.3W (2 MPx)  
Local Storage Up to 64 GB on Micro SDHC or SDXC card

## ENVIRONMENTAL

Operating Temperature -10° to 55°C (14° to 131°F)  
Storage Temperature -40° to 60°C (-40° to 140°F)  
Operating Humidity 5% to 90%, RH noncondensing

## GENERAL

Construction Metal body; polycarbonate bubble  
Ingress Protection IP66  
Type 4X  
Vandal Resistance IK10 (20J impact) per IEC 62262  
Finish White, RAL 9003; satin texture  
Pan/Tilt Adjustment Manual  
Pan 20°  
Tilt 110°  
Rotate 360°  
Unit Weight 0.40 kg (.88 lb)  
Shipping Weight 0.60 kg (1.32 lb)

## NETWORK

Supported Protocols TCP/IP, UDP/IP (unicast, multicast IGMP), ICMP, IPv4, IPv6, SNMP v2c/v3, HTTP, HTTPS, SSL, SSH, SMTP, FTP, RTSP, UPnP, DNS, NTP, RTP, RTCP, LDAP (client), QoS, GB28181  
Users  
Unicast 1 administrator, up to 4 viewers  
Multicast Unlimited users H.264  
Security Access Multiple user access levels with password protection

# TECHNICAL SPECIFICATIONS

## SYSTEM MODEL NUMBERS\*

Resolution	Lens	Model Number	Description
1 MPx	2.8 mm	IWP121-1ES	Sarix Pro Vandal Resistant Wedge Dome
2 MPx	2.8 mm	IWP221-1ES	Sarix Pro Vandal Resistant Wedge Dome

\*System options contain a back box/mount, camera, and clear dome.

## INTEGRATION

Video Management	VideoXpert; Endura version 2.0 (or later); Digital Sentry 7.3 (or later); Third-party VMS through Pelco API, ONVIF Profile S, Profile G, and Profile Q
Mobile Application	Pelco Mobile
Analytics	Simple motion detection and camera sabotage detection
Local Storage	Capture 1-, 5- or 10-second video clips on camera sabotage, motion detection, or alarm input; record video continuously in the case of network outage with option to overwrite; access video through FTP protocol and ONVIF Profile G
Camera Discovery and Firmware	Discover cameras upgrade firmware upgrade using the Pelco Device Utility 2 version 2.2 or later; or Pelco Utilities
Web Browser Support	Microsoft® Internet Explorer® 9.0, Apple® Safari® 7.0.6, Mozilla® Firefox® 31.0, Google® Chrome™ 37.0.2062.124 m and later
Multilingual User Interface	English, French, German, Italian, Portuguese, Arabic, Russian, Spanish, Turkish, Korean, Simplified Chinese

## CERTIFICATIONS\*

- CE - EN 55022 (Class A), EN 50130-4, EN 60950-1
  - FCC (Class A) - 47 CFR Part 15
  - UL and cUL Listed - UL 60950-1, CAN/CSA-C22.2 No. 60950-1-07
  - UL/IEC 60950-22
  - ICES-003 (Class A)
  - RCM
  - KC
  - ONVIF Profile S, Profile G, and Profile Q conformant
- \*At the time of this publication, certifications are pending. Consult the factory or [www.pelco.com](http://www.pelco.com) for the current status of certifications.

## RECOMMENDED MOUNTS

IMPMB-11 Indoor dome wall bracket for indoor models (requires IMPEBAP adapter)

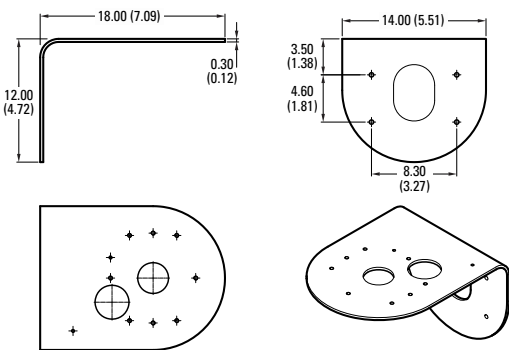
## OPTIONAL ACCESSORIES

IMPEBAP 4S electrical box adapter  
IWPWPC RJ45 waterproof connector kit

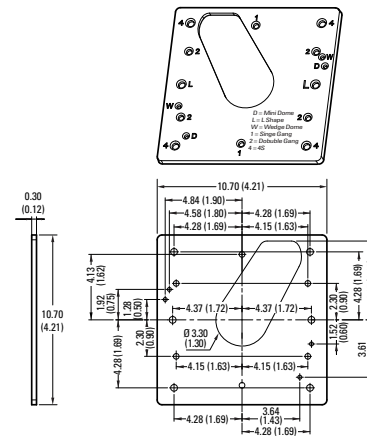


VALUES IN PARENTHESES ARE INCHES; ALL OTHERS ARE CENTIMETERS

### IMPMB-11 WALL MOUNT BRACKET



### IMPEBAP BOX ADAPTER



### Pelco by Schneider Electric

3500 Pelco Way, Clovis, California 93612-5699 United States

USA & Canada Tel (800) 289-9100 Fax (800) 289-9150

International Tel +1 (559) 292-1981 Fax +1 (559) 348-1120

[www.pelco.com](http://www.pelco.com) [www.pelco.com/community](http://www.pelco.com/community)

Pelco, the Pelco logo, and other trademarks associated with Pelco products referred to in this publication are trademarks of Pelco, Inc. or its affiliates. ONVIF and the ONVIF logo are trademarks of ONVIF Inc. All other product names and services are the property of their respective companies. Product specifications and availability are subject to change without notice. ©Copyright 2017, Pelco, Inc. All rights reserved.