



# model SLT

Waist High Turnstiles from Alvarado provide safe and reliable patron entry control. All waist high turnstiles are designed for years of smooth, trouble free operation and are available with both manual and electric lock operations.

The SLT has many of the same features found in much more expensive models, including stainless steel internal components, hydraulically, self-centering arm rotation and a comfortable patron passage width.

## COMMON APPLICATIONS

- Controlling Pedestrian Traffic Flow
- Employee & Visitor Access Control
- People Counting



## Why Alvarado?

Alvarado is the leading manufacturer of waist high turnstiles. Since its founding in 1956, Alvarado equipment has been installed in thousands of locations throughout the world.

Our superior product quality, integration expertise and industry leading service and support are just a few reasons that many of the world's most respected companies use our products again and again.

## KEY FEATURES

Wide Passage Width

Hydraulic Arm Rotation

Extremely Reliable and Quiet Operation

Built-in Key Override Controls

Bi-Directional Entry Control

Easy Installation

## BENEFITS

Bullet-style aluminum head and stainless steel arms are angled to provide a very **comfortable patron passage width**.

Hydraulic self-centering arms, **increase user safety and extend equipment life**.

**Cutting-edge mechanics** provide access control you can count on.

Quickly unlocks one or both directions for more **flexible product use** and easy authorized bypass access.

**User definable entry control** can be modified in the field at any time.

Cabinets ship fully assembled and **ready to install**.



## AVAILABLE MODELS

**SLT-3** (Manual)

## OPTIONS

A number of options and a selection of materials and finishes are available.

## COMPLEMENTARY PRODUCTS

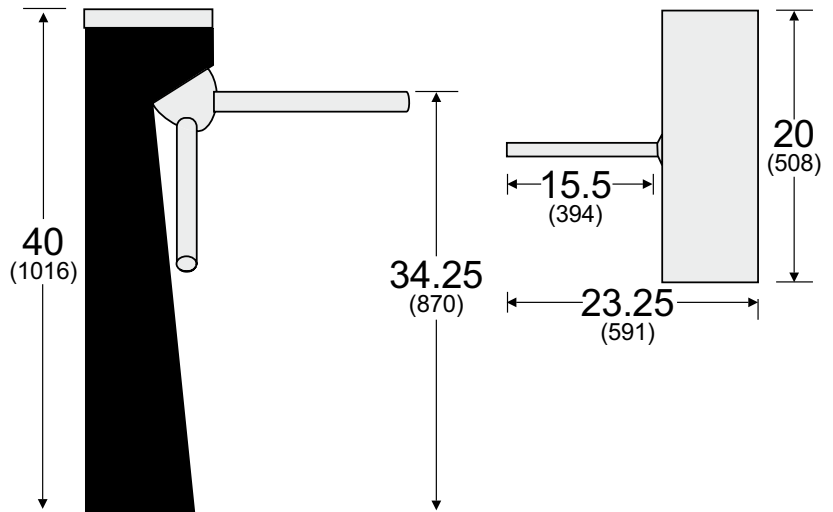
VSG pedestrian security gates often accompany waist high turnstiles to facilitate delivery of material or bulky items.

## RESOURCES

Alvarado's knowledgeable staff understands that many customers do not deal with turnstiles on a regular basis. We offer expert assistance and technical expertise to ensure the best solution is selected for your facility.

Additional information, including detailed specifications, installation manuals, CAD drawings, application images and throughput considerations can be found online.

## DIMENSIONS



Dimensions shown in inches (mm). All Measurements are approximate.

