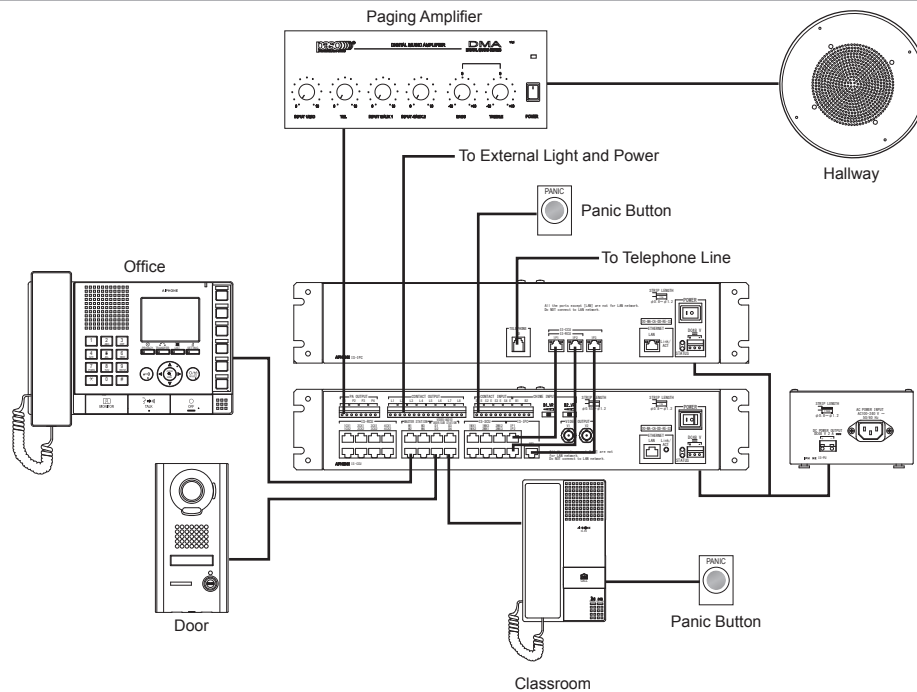


# IS Series for School Emergencies

The IS Series has the ability to tie into panic buttons, make paging announcements, play pre-recorded announcements, and forward emergency calls to an outside telephone line.

## IS Series School Block Diagram



## Features

### Panic Button

A panic button can connect to the IS-RS or the IS-CCU. When connected to the IS-RS, pressing the panic button will cause the IS-RS to call a master at a higher level, identifying the location of the emergency on the master station. This in turn can also activate a pre-recorded message that will play over a designated paging zone, as well as activate a set of dry contacts to trigger external lighting. Pressing the panic button when it is connected to the IS-CCU will cause a pre-recorded message to be played over a designated paging zone, but will not identify the panic button location.

### Emergency Messages

The IS Series allows for 99 paging zones. A paging zone can include indoor stations, outdoor stations, and overhead paging speakers. Pre-recorded MP3 messages can be uploaded to the system, allowing specific messages to be played based on the event. An MP3 message can be triggered to play to a specific paging zone by a master station or via a telephone dialing in (IS-IPC required for telephone interface).

### Trigger Outputs

Trigger an external device from the programmable outputs of the IS-CCU, IS-SCU, and IS-RCU when placing a specific level of call. For example, having an urgent call illuminate a strobe light is possible.