



DESCRIPTION:

The IS-IPDV is an aluminum die cast surface mount IP video door station. The IS-IPDVF is a stainless steel flush mount IP video door station. Both units are vandal and weather resistant. They connect to the network using CAT-5e/6 cable. The door stations have a built in dry contact, rated for 24V AC/DC 500mA, for door release. Each unit is equipped with a camera that provides pan, tilt, and zoom functionality. The doors can call up to 20 different master stations via the call button. The speaker and microphone allow for two way communication with a master station. A directory strip is provided for location identification. The camera units are 802.3af PoE compliant or can be powered via a separate 24V DC power supply, PS-2420UL.

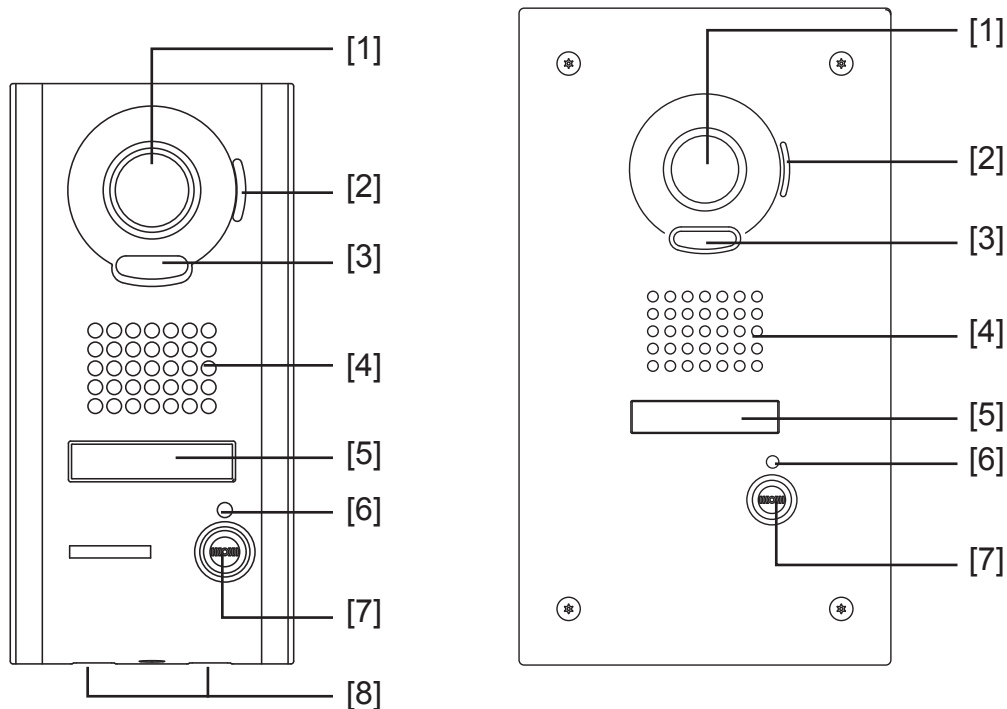
IS-IPDV, IPDVF FEATURES:

- Digital PTZ color video camera
- 170° viewing area
- Weather and Vandal resistant
- Normally Open dry contact for door release (24V AC/DC, 500mA)
- For indoor or outdoor use
- Aluminum die cast (IS-IPDV)
- Stainless Steel (IS-IPDVF)
- Connects using CAT-5e/6 cable
- 802.3af PoE compliant

IS-IPDV, IS-IPDVF

IP Video Door Stations for the IS Series

FEATURE CALL-OUT:



FEATURE CALL-OUT DEFINITIONS:

- [1] Camera
- [2] Microphone
- [3] White light LED
- [4] Speaker
- [5] Directory card with backlight
- [6] Status LED (red/orange/green)
- [7] Call button
- [8] Water escape holes (do not obstruct)

SPECIFICATIONS:

Power Source:	24V DC or 802.3af PoE
Bandwidth:	320k ~ 8Mbps
Communication:	Open voice hands-free
Camera:	1/4-inch color CMOS
Min. Illumination:	5 Lux
Camera angle:	Wide: approx. 170° horizontal
Mounting:	
IS-IPDV	Surface directly to wall
IS-IPDVF	Flush mount (back box included)
Front Panel Housing:	
IS-IPDV	Aluminum die-cast
IS-IPDVF	Stainless steel
Temperature:	-40-140°F (-40-60°C)
Dimensions:	
IS-IPDV	8-1/2"H x 4-3/16"W x 1-1/8"D
IS-IPDVF	10-7/16"H x 5-15/16"W x 1-5/8"D
Weight:	
IS-IPDV	Approx. 1.15lbs (520g)
IS-IPDVF	Approx. 1.79lbs (810g)
IS-IPDVF back box	Approx. 1.32lbs (600g)