

Metal Detector Divesting Table

CEIA^{USA} An
ISO 9001 Company

GSA Contract Holder

- Zero-Influence on Metal Detector Gates
- Ergonomic Depository Area
- Robust and Reliable
- Easy to Clean and to Maintain
- Color Matched to the Gate Structure



The Metal Detector Divesting Table acts both as a spacer between the X-ray unit and the metal detector and as a **temporary depository for personal metal items which are not required to undergo X-ray analysis.**

The base is constructed in material that guarantees maximum compatibility with the Metal Detector, and will not transmit any mechanical shocks from the X-ray unit to the inspection gate.

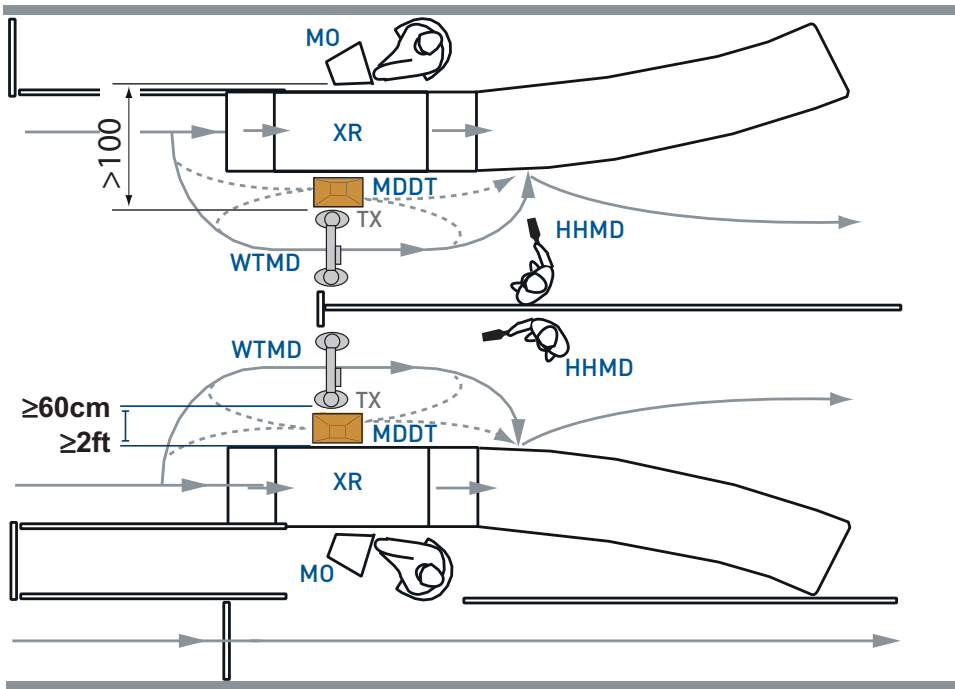


www.ceia-usa.com

Metal Detector Divesting Table



INSTALLATION EXAMPLE



MDDT: METAL DETECTOR DIVESTING TABLE

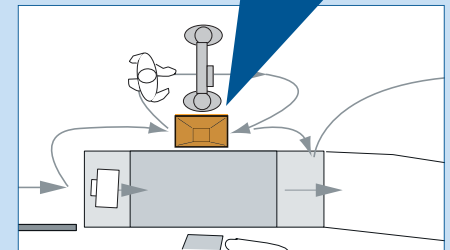
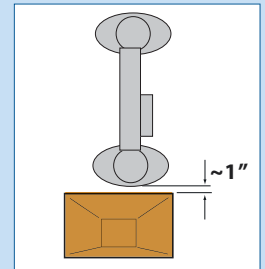
WTMD: WALK-THROUGH METAL DETECTOR

TX: TRANSMITTER ANTENNA

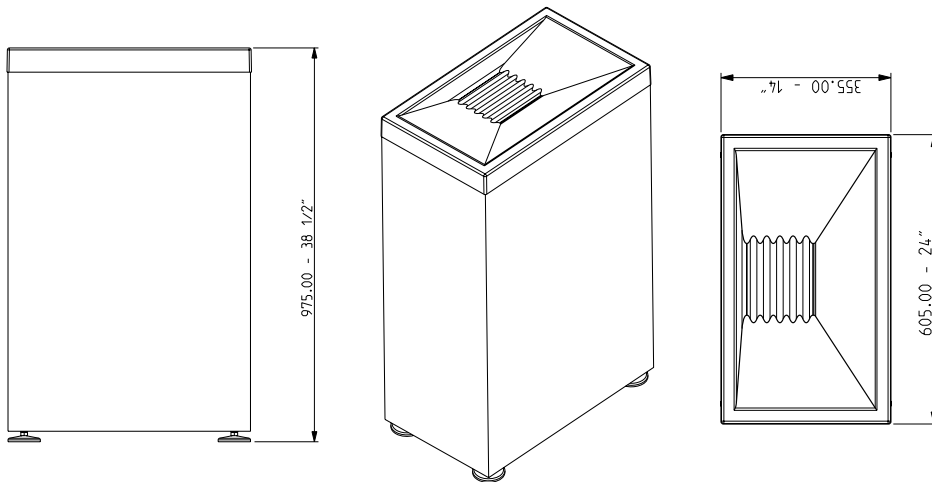
XR: X-RAY UNIT

MO: MONITOR OF THE X-RAY UNIT

HHMD: HAND-HELD METAL DETECTOR CEIA PD140



OVERALL DIMENSIONS



CEIA USA PROVIDES FULL OPERATIONAL AND TECHNICAL TRAINING SUPPORT; ON SITE OR AT HEADQUARTERS BY CEIA USA CERTIFIED PERSONNEL



CEIA USA Ltd - 9155 Dutton Drive, Twinsburg OH - 44087 USA
Phone: 330-405 3190 - Fax 330-405 3196 - e-mail: sales@ceia-usa.com

www.ceia-usa.com

Call 888-532-CEIA

CEIA USA reserves the right to make changes, at any moment and without notice, to the models (including programming), their accessories and options, to the prices and conditions of sale

DP060K0007v1000US-44813