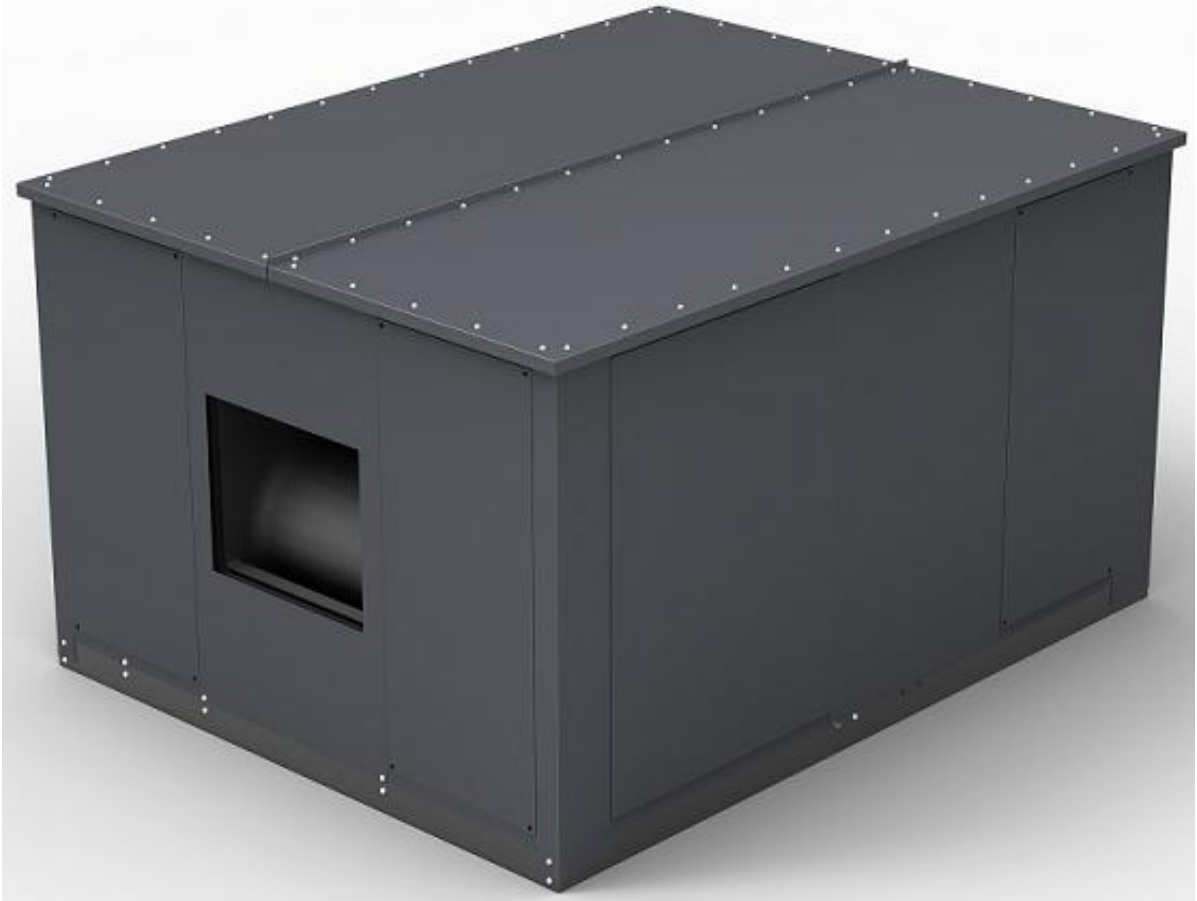


**ROOF TOP SINGLE AND DOUBLE WALL BELT DRIVE AIR HANDLER**

DX OR CHILLED WATER  
COOLING HOT WATER OR  
ELECTRIC HEATING



**SIZES FROM 600 CFM TO 9,000 CFM**

All Technical Specifications are Subject to  
Change without Notice. For more information  
contact Customer Service Phone  
(817)624.0820 Fax (817)624.8581

## STANDARD FEATURES

### CONSTRUCTION

- Single and Double wall post and panel construction from heavy gauge galvanized steel.
- 1" Insulation sandwiched between double wall galvanized panels.
- 1" foil faced insulation on single wall units.
- IAQ drain pan sloped 3-ways.
- Drain pans made from 304 stainless steel.
- Integral auxiliary drain pan.
- Both sides of cabinet include gasket, service access panels.
- Factory installed mounting rails provided for unit suspension system
- All cabinet parts are assembled with stainless steel hardware.
- All access panels can be removed while unit is suspended without affecting the unit's structure.

### BLOWER ASSEMBLY

- Blower sections feature base mounted motors and adjustable motor bases for ease of service mounted on RIS isolators for quiet vibration free operation.
- All blowers are mounted to 12-gauge support channels on rubber isolators.
- Blower exits cabinet through flexible rubber isolators.
- A discharge duct flange is provided.

### FILTER SECTION

- 2" TA flat filters are single wall standard.

### COIL SECTION

- 3/8" O.D. seamless copper tube on sizes 24 and 36.
- 1/2" O.D. seamless copper tube on sizes 48 and 60.
- 3/8" O.D. seamless copper tube on sizes 90 and 240.
- Coil and drain pan assembly slides into cabinet from either side of unit for left hand or right hand piping and electrical connections.
- Units can accept up to 10 rows of coil without modification.
- Manual air vents are accessible through a separate drain pan access panel.

### STANDARD MOTORS

- ODP Motor is mounted to a 12 gauge adjustable base attached to the unit floor with rubber isolators
- 115/230v 1ph, 277v 1ph, 208/230/460v 3ph.
- All units are ETL listed.

## OPTIONAL FEATURES

### CONSTRUCTION

- Liner options include stainless steel, aluminum, or Anti-microbial coating. (double wall only)
- Stainless steel integral overflow pan.
- Powder coated cabinet.
- Pre-painted steel cabinet

### FILTER SECTION

- Double wall filter section accepts 2" or 4" flat filters.
- Filter access can be from top, bottom or from either side (24-60).
- Filter access for (90-240) from sides only.
- 2" pleated (30%), 4" pleated (65%, 85%, 95%).

### -MIXING BOXES

- \*MB3-\*\* Mixing Box with 3 position Manual Control (None filtered)
- \*MBM-\*\* Mixing Box with Modulating Actuator Control (Non Filtered)
- \*FMB3-\*\* Filtered Mixing Box w/3position Manual Control (2" TA Filter)
- \*FMBM-\*\* Filtered Mixing Box w/ Mod. Act. Control (2" TA Filter)
- \*FS-\*\* Return Filter Sec. w/ MERV-7 30% Pre Filter & MERV-11 65% Fin. Filter
- \*DFS-\*\* Discharge Filter Section w/12" MERV-15 & 95% HEPA Filters
- \*MSS-\*\* Motor Stop/Start Station
- VDP\*\* Vertical Discharge Plenum
- VRG\*\* Return Grill for Vertical Unit

### ELECTRIC HEAT SECTION

- Factory Supplied for Field Mounting
- Preheat or Reheat Configurations.
- Single point power connection.
- Custom staging and controls.
- Available Voltages: Single phase (115v, 230v, 277v)  
Three phase (208v, 230v, 460v, 575v)

### VFD'S - Variable Frequency Drives

Available for Field installation for motors bigger than 1 hp

### COIL SECTION

- 2, 4, 6, 8 or 10 row coil options. (8 row max on 180/240)
- Heating coils are factory installed in preheat or reheat positions.
- Steam coils-Low Pressure, less than 2 PSI.
- Optional tube diameters.
- Optional copper fin.
- Optional stainless steel end plates.
- Face split, row split, intertwined circuiting available.
- Face and bypass dampers.
- Automatic air vents.

### MOTOR OPTIONS

- TEFC
- High efficient.
- 2-speed 2-winding.
- 575 volt

## GUIDE SPECIFICATIONS

Model Series: H,M,R and V  
CFM Range: 600 to 9,000

**Unit Description:**

Horizontal, belt drive with optional chilled water, hot water, steam or DX coils. Galvanized cabinet can be double wall or single wall construction. Unit designed to be installed in above ceiling space. Units have full service access to both sides of cabinet.

**Quality Assurance:**

Coils are tested under water at 500 psig for operating pressures to 400 psig. Insulation and adhesive shall meet NFPA-90A standards for smoke and flame spread.

**Deliver, Handling and Storage:**

Units to be stored and handled in accordance with equipment manufacturer's recommendations.

---

**PRODUCTS**

---

**Equipment:**

- A. Factory assembled, horizontal, draw-thru blower coil units for installation above the ceiling. Unit shall be complete with water coils, steam coils, or DX coils, fan(s), motor, belt and drives, drain pan, and filter rack to accept 2" or 4" TA filters.

**Cabinet: Single Wall:**

- B. Post and panel construction shall be from heavy-gauge galvanized steel, lined with 1"-1.5lb density fiberglass thermal acoustical insulation. Unit sizes 24 thru 60 include a factory mounted suspension rail mounted to the bottom of unit. Capped knockouts to be provided for units 3000 CFM and larger to accommodate threaded rods to pass through unit corners. Supply and return duct flanges to be 1" long. Large removable side access panels shall be on both sides of unit.

**Cabinet: Double Wall:**

- C. Post and panel construction shall be from heavy-gauge galvanized steel on both inner and outer panels, lined with 1"-1.5lb density fiberglass thermal acoustical insulation. Unit sizes 24 thru 60 include a factory mounted suspension rail mounted to the bottom of unit. Capped knockouts to be provided for units 3000 CFM and larger to accommodate threaded rods to pass through unit corners. Supply and return duct flanges to be 1" long. Large removable side access panels shall be on both sides of unit. Units shall be assembled using stainless steel screws.

**Drain Pan:**

- D. The primary drain pan shall be stainless steel and include a built-in overflow pan with a 1" MPT secondary and a 1" FPT primary drain connection. Secondary drain pan shall be stainless steel or galvanized steel to prevent corrosion should an overflow occur.

**Coil Selection:**

- E. Entire coil section shall be double wall lined with smooth galvanized, or stainless steel for ease of cleaning and coil removal.

**Blowers:**

- F. Belt drive DWDI (double width, double inlet) fan wheel shall have forward curved blades and be factory statically and dynamically balanced. Blower's drives shall consist of cast iron variable pitch motor pulley and V-belt. Blowers and scrolls shall be manufactured from galvanized steel.

**Coils:**

- G. Coil tube diameters shall be .375, .50 or .625in. copper tubes, aluminum fins bonded to the tubes by mechanical expansion and have a working pressure of 250 psig at 200F. Each water coil shall have manual air vents and sweat connections, which are accessible from the exterior of cabinet. Coils shall be circuited so they can be switched from right hand to left hand piping access while maintaining counter-flow water circuiting.

**Motors:**

- H. Motors shall be open type, drip-proof, single or 2-speed, 60Hz, 1750 RPM, 1 or 3-phase, suitable for continuous duty at 130F. Single-phase motors are capacitor start, include automatic reset thermal overload protection and are available in 115, 208, 230, or 277 volts, (60Hz). Three-phase motors are available in 208, 230, or 460 volts, (60Hz). Motors shall be resilient base mounted (except 3hp and larger which are rigid base mounted).

**Electric Heat:**

- I. Electric heat shall be designed to mount at the discharge or entering air openings of unit. Heater shall include a de-energizing magnetic control contactor per stage of each 48-amp circuit and include a secondary over-temperature switch. Heaters shall include fan-interlocking, power and control terminal boards with grounding lugs. An automatic limit switch shall provide primary over-temperature protection, and a manual reset limit switch shall provide secondary over-temperature protection.

**Filters:**

- J. Standard filter racks shall include 2" TA filters with options for 2" and 4" pleated filters. Filter racks shall include access from either side with options for top or bottom access.

## BELT DRIVE UNITS

### CAP DESCRIPTION MODEL NUMBER NOMENCLATURE - PAGE #1

H	W	E	D	A	0	9	0	3	2	2	5	1	.	2	5	2	4	2	A	R	H	6
MODEL				CM	SIZE			CFM			ESP		COIL ROWS			RF	CN	MOTOR				
<b>UNIT CONFIGURATION</b> H HORIZONTAL V VERTICAL M MODULAR R ROOFTOP												<b>PRE-HEAT</b> 0 NO PH 1 1-ROW 2 2-ROW										
<b>COOLING OPTIONS</b> W CHILLED WATER X DIRECT EXPANSION 0 NO COOLING												<b>COOLING</b> 0 NO COOLING 2 2-OWS 4 4-OWS 6 6-OWS 8 8-OWS										
<b>HEATING OPTIONS</b> H HOT WATER S STEAM E ELECTRIC 0 NO EAT												<b>RE-HEAT</b> 0 NO RH 1 1-ROW 2 2-ROW										
<b>UNIT INSULATION</b> S SINGLE WALL 1/2" FOIL FACE FIBERGLASS T SINGLE WALL 1" FOIL FACE FIBERGLASS U SINGLE WALL 7/8" CLOSED CELL D DOUBLE WALL X SPECIAL												<b>REFRIGERANT</b> A R-410A B R-22 C R-NU22 D R-134A 0 NONE										
<b>CABINET MATERIAL</b> A GALVANIZED STEEL B PRE-PAINTED STEEL C POWDER PAINTED												<b>PIPING CONNECTIONS</b> R RIGHT HAND L LEFT HAND ALL CONNECTIONS ARE SET LOOKING THE UNIT IN THE AIR FLOW DIRECTION										
<b>UNIT SIZE</b> 024 24000 036 36000 048 48000 060 60000 090 90000 120 120000 180 180000 240 240000												<b>MOTOR HP AND VOLTAGE OPTIONS</b> <b>1ST DIGIT</b> A 0.25 <b>2ND DIGIT</b> B 0.33      1 115/208/230/1 ODP C 0.50      2 115/230/1 ODP, HE D 0.75      3 115/1 ODP, 2 SPD E 1.00      4 230/1 ODP, 2 SPD F 1.50      5 277/1 ODP G 2.00      6 208/230/460/3/50/60hz ODP H 3.00      7 208/230/460/3/50/60hz ODP, HE I 5.00      8 208/230/460/3/50/60 ODP, 2 SPD J 7.50      9 575 V 3 Ph 60Hz K 10.0										

**CAP DESCRIPTION MODEL NUMBER NOMENCLATURE - PAGE #2**

B	B	C	0	E	1	0	0	.	0	C	0	0	C	F	0	1	1
0AO	UNIT ACCS			V	EH KW					HTR ACCS			V	VFD ACCS		REV.	REV.

FACTORY USE

- OUTSIDE AIR OPTIONS**
- O NONE
  - A MIXING BOX W/ PLEATED FILTER 2"
  - B MB W/ 3 POSITION CONTROL PACKAGE
  - C MB W/MODULATING CONTROL PACKAGE
  - E FACE & BYPASS DAMPER W/FILTER SEC.
  - X SPECIAL

- UNIT ACCESSORIES**
- O NONE
  - A PLEATED FILTER 2"
  - B DISCHARGE GRILL PLENUM
  - C RETURN GRILL AIR PLENUM
  - E MOTOR START STOP STATION
  - X SPECIAL

- HEATER VOLTAGE**
- O NO HEATERS
  - A 115/1
  - B 208/1
  - C 230/1
  - E 277/1
  - F 208/3
  - G 230/3
  - H 460/3
  - J 575/3

- HEATER CAPACITY**
- 1.0 to 100.0 KW IN .1 Kw increments
- O NO HEATERS

- HEATER ACCESSORIES**
- O NO ACCESSORIES
  - A Single point line Conn.
  - B SCR Controls
  - C Start Stop Control St
  - D None

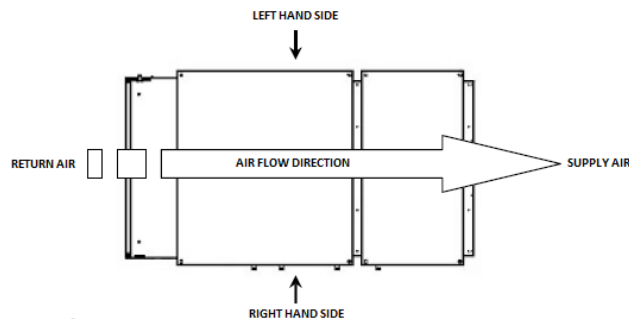
- VFD ACCESSORIES**
- O NO ACCESSORIES
  - A REM MTG KIT
  - B LCP11 CONT PANEL
  - C LCP12 CONT PANEL
  - D NE/UL TY1 K FOR M1 FR
  - E NE/UL TY1 K FOR M2 FR
  - F NE/UL TY1 K FOR M3 FR
  - G DECOUPLING PLT KIT FOR M1&M2 FRAME
  - H DECOUPLING PLT KIT FOR M3 FRAME
  - I IP21 FOR M1 FRAME
  - J IP21 FOR M2 FRAME
  - K IP21 FOR M3 FRAME
  - L DIN RAIL MTG KIT

- VFD SIZE**
- O NO VFD
  - A 0.25 HP 230/1
  - B 0.50 HP 230/1
  - C 1.00 HP 230/1
  - D 2.00 HP 230/1
  - E 3.00 HP 230/1
  - F 0.33 HP 230/3
  - G 0.50 HP230/3
  - H 1.00 HP 230/3
  - I 2.00 HP 230/3
  - J 3.00 HP 230/3
  - K 5.00 HP 230/3
  - L 0.50 HP 460/3
  - M 1.00 HP 460/3
  - N 2.00 HP 460/3
  - P 3.00 HP 460/3
  - Q 5.00 HP 460/3
  - R 7.50 HP 460/3
  - S 10.0 HP 460/3

**NOTE: MOST ACCESSORIES ARE NOT FACTORY INSTALLED, CONTACT FACTORY REP. FOR DETAILS**

**For more information contact Customer Service**  
 Phone: 817-624-0820 Fax: 817-624-8581

COIL DATA																	
MO DEL	FIN BLOCK H X W	FAC E ARE A	ROWS	FPI	WATER CONN. HEAD ER R OD	DX CONN		MODEL	FIN BLOCK		FACE	ROWS	FPI	WATER CONN.		DX CONN	
						SUCT			LIQ.	H X W				AREA	HEADER OD	SUCT	LIQ.
24-R	10 X 31	2.15	1		5/8	N/A	N/A	90-R	22.5 X 47	7.34	2		7/8	N/A	N/A		
			2			N/A	N/A				4		1-1/8	1-3/8	5/8		
			4		7/8	7/8	3/8				6		1-3/8	1-5/8	5/8		
			6			7/8	3/8				8		1-3/8	1-5/8	5/8		
			8			7/8	3/8										
36-R	13 X 31	2.8	1		5/8	N/A	N/A	120-R	31 X 47	10.11	2		7/8	N/A	N/A		
			2			N/A	N/A				4		1-1/8	1-5/8	5/8		
			4		7/8	7/8	3/8				6		1-3/8	1-5/8	5/8		
			6			7/8	3/8				8	10	1-5/8	1-5/8	5/8		
			8	10		1-1/8	3/8										
48-R	15 X 40	4.17	1		5/8	N/A	N/A	180-R	31.5 X 60	13.13	2		1-1/8	N/A	N/A		
			2			N/A	N/A				4		1-3/8	1-5/8	5/8		
			4		7/8	7/8	1/2				6		1-5/8	2-1/8	5/8		
			6			1-1/8	1/2				8		2-1/8	2-1/8	5/8		
			8			1-1/8	1-3/8				1/2						
60-R	17.5 X 40	4.86	1		5/8	N/A	N/A	240-R	42 X 60	17.5	2		1-3/8	N/A	N/A		
			2			N/A	N/A				4		1-5/8	2-1/8	5/8		
			4		7/8	7/8	1/2				6		2-1/8	2-1/8	5/8		
			6			1-1/8	1-1/8				1/2	8		2-1/8	2-1/8	5/8	
			8			1-3/8	1/2				CONTACT THE FACTORY FOR ADDITIONAL COIL INFORMATION						

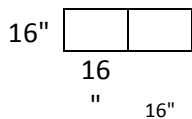


### ROOF TOP FILTER ARRANGEMENTS

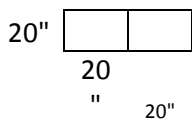
STANDARD FILTER RACK (HF2)  
 ONLY ACCEPTS 2" TA OR PLEATED FILTERS. DOUBLE WALL FILTER RACK (HFDA) ACCEPTS 2" OR 4" TA OR PLATED FILTERS

FILTER SIZE	UNIT					FILTER QUANTITY							
	MODEL					24	36	48	60	90	120	180	240
14"	X	20"	X	2/4"								5	5
14"	X	25"	X	2/4"								5	5
16"	X	16"	X	2/4"					6	6			
16"	X	20"	X	2/4"	2	2							
20"	X	20"	X	2/4"			2	2					
FILTER TOTAL					2	2	2	2	6	6	10	10	

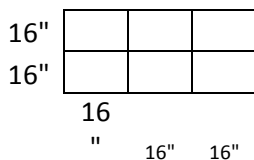
24/36  
**2-16"X16"X2/4"**



48/60  
**2-20"X20"X2/4"**



90/120  
**6-16"X16"X2/4"**



180/240  
**5-14"X20"X2/4"**  
**5-14"X25"X2/4"**

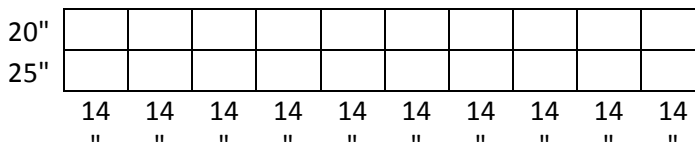
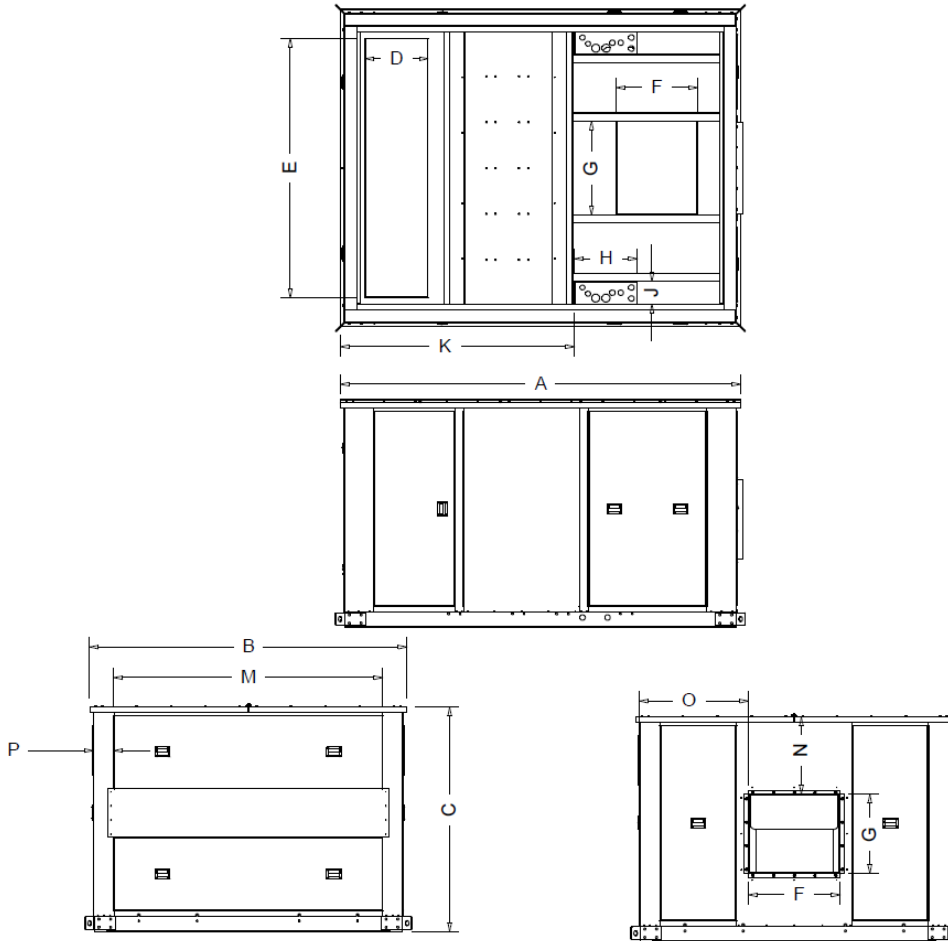


CHART ABOVE SHOWS SPECIFIC FILTER ARRANGEMENTS

2" FILTER RACKS ARE SIDE LOADING  
 4" FILTER RACKS FOR UNITS FROM 24 TO 60 ARE SIDE, TOP OR BOTTOM LOADING  
 4" FILTER RACKS FOR UNITS FROM 090 TO 240 ARE SIDE LOADING ONLY

### UNIT DIMENSIONS SINGLE & DOUBLE WALL

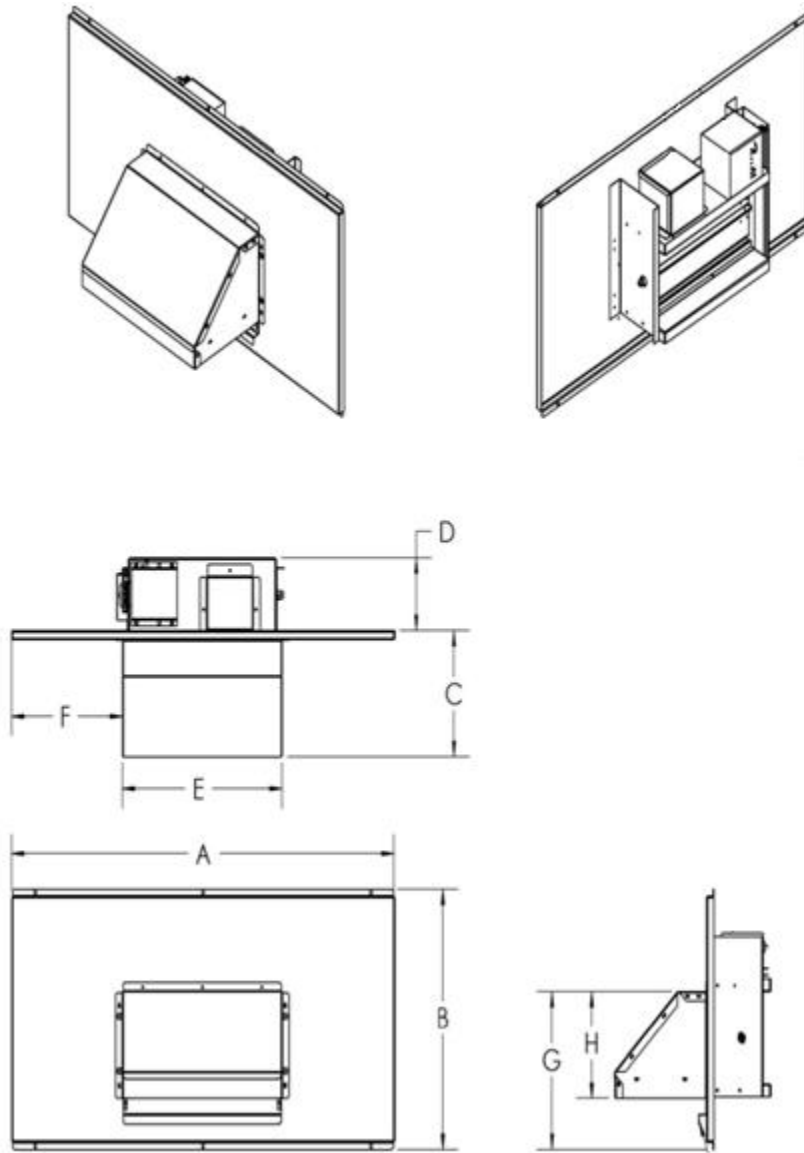


BACK CONFIGURATION CHANGES  
BASED ON ACCESSORIES ORDERED

MODEL	A	B	C	D	E	F	G	H	J	K	M	N	O	P
2/3 TON	70.0	42.0	31.0	9.98	31.0	10.78	12.31	10.0	6.0	33.7	28.1	8.5	16.6	7
4/5 TON	70.4	50.5	33.0	12.0	34.0	14.0	16.2	10.0	6.0	36.0	34.0	6.2	17.2	3
7.5/10 TON	77.4	55.5	50.9	14.0	44.0	13.1	16.4	15.0	8.0	38.0	45.9	19.9	21.2	4.8
15/20 TON	96.0	76.2	53.8	15.0	62.0	19.3	22.4	14.9	5.4	56.4	64.4	18.6	26.1	4.9

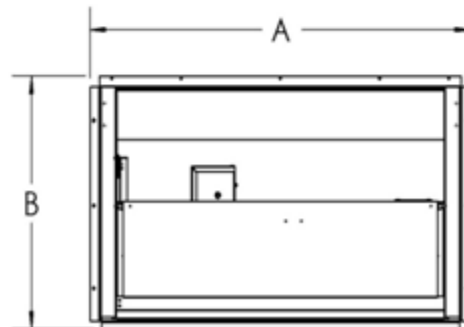
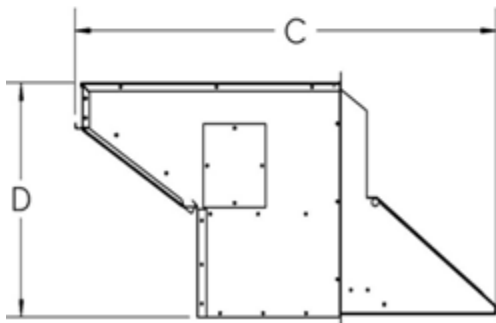
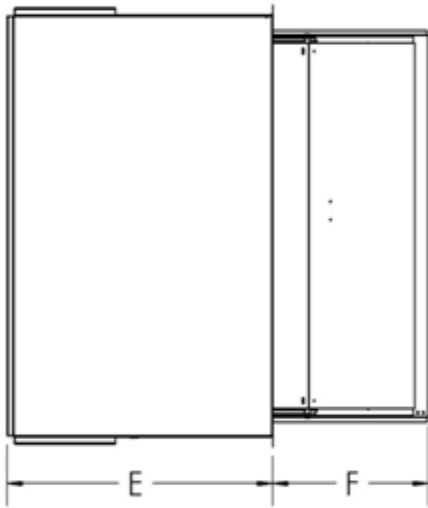
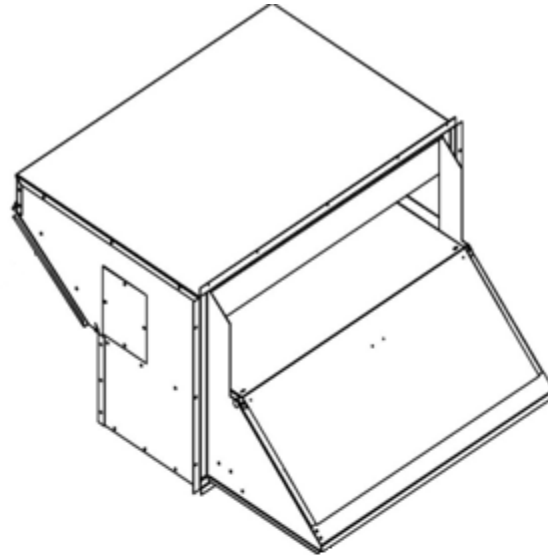


**ROOF TOP ACCESSORIES DIMENSIONS – FIXED AND MOTORIZED OUTSIDE AIR DAMPER**



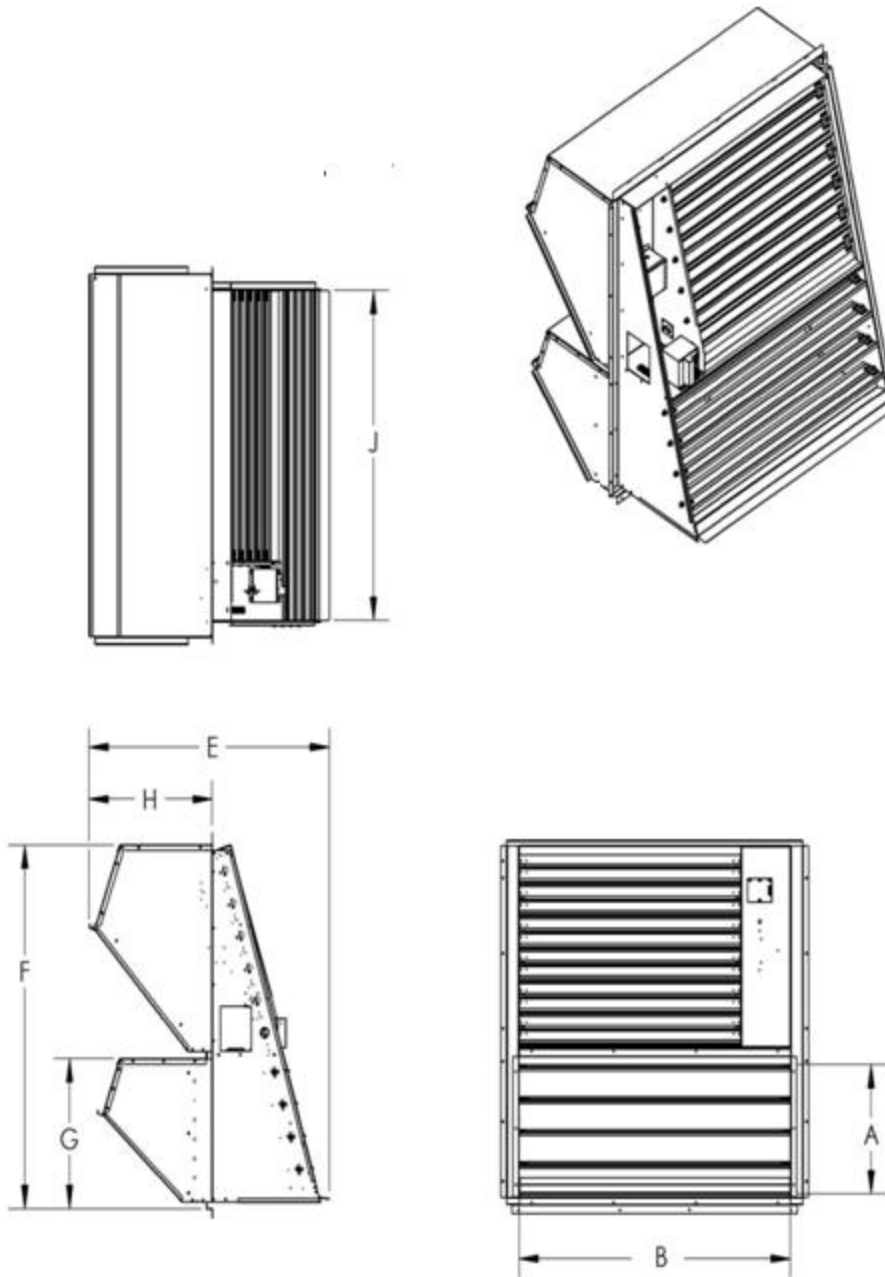
MODEL	A	B	C	D	E	F	G	H
RFOD - 024/036	29	16	11	6	10	9	13	10
RFOD - 048/060	38	20	10	6	16	11	12	8
RFOD - 090/120	49	27	15	6	26	12	18	14
RFOD - 180	49	35	20	6	22	14	23	20
RFOD - 240	31	47	19	6	26	3	33	20
RFMOD - 24/36	30	19	9	6	24	3	14	11
RFMOD - 48/60	38	24	15	6	26	6	17	14
RFMOD - 090/120	49	29	18	6	45	2	22	20
RFMOD - 180	49	35	23	6	41	4	29	26
RFMOD - 240	31	47	25	6	25	3	39	32

**ROOF TOP ECONOMIZER FOR UNITS 024 TO 060**



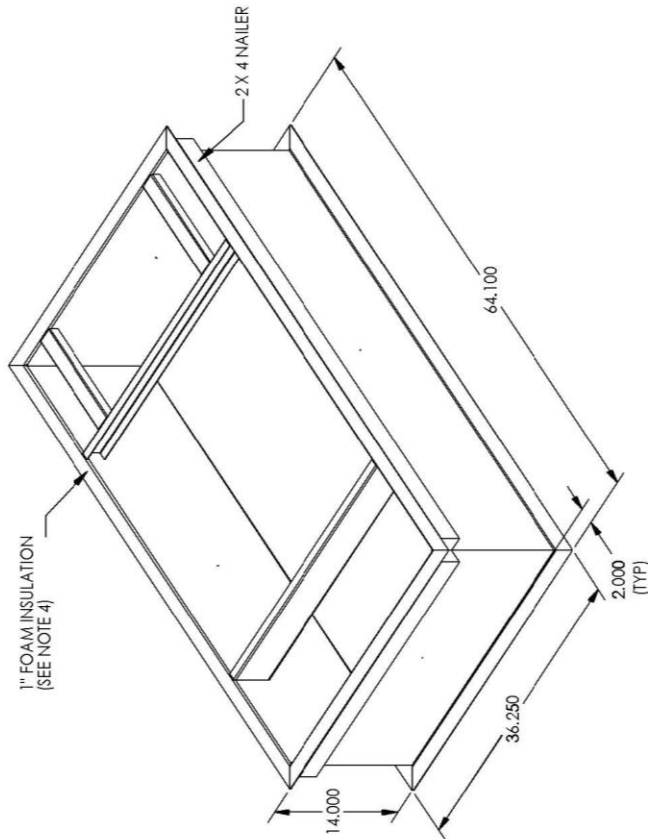
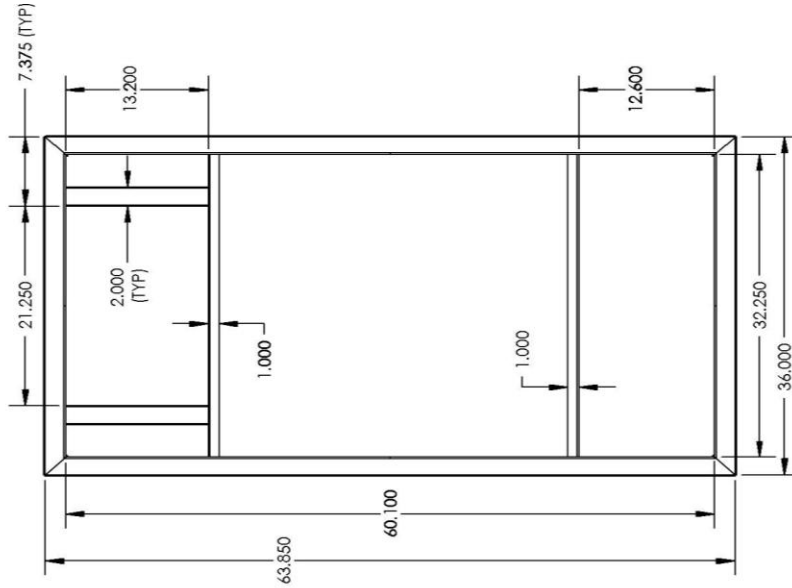
MODEL	A	B	C	D	E	F
RWE - 024/036	32	19	42	17	26	16
RWE - 048/060	40	23	44	21	28	16

**ROOF TOP ECONOMIZER FOR UNITS 090 TO 240**

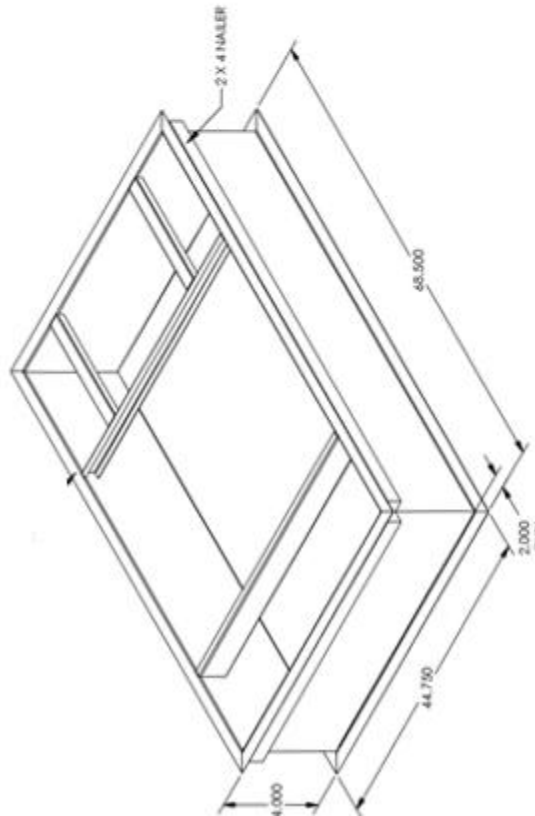
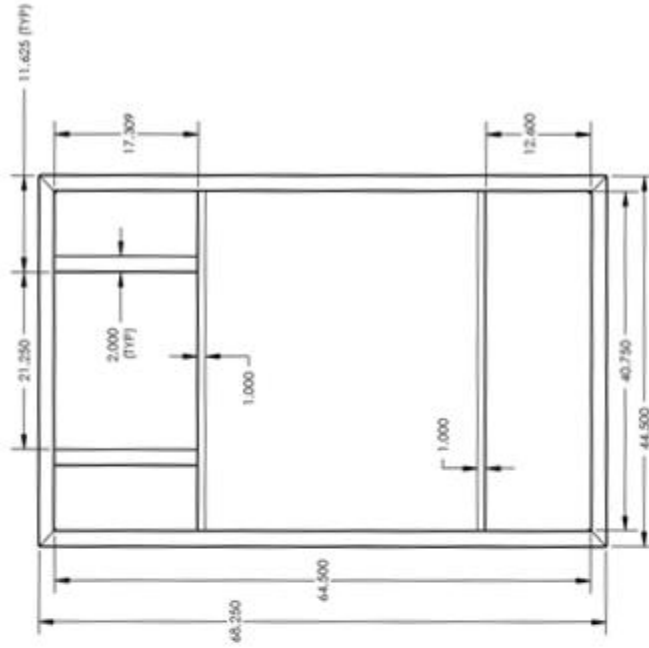


MODEL	A	B	C	D	E	F	G	H	J
RWE - 90/120	14	45	51	38	36	35	16	17	49
RWE - 180	19	45	51	52	29	49	20	20	49
RWE - 240	19	64	70	51	44	46	20	20	67

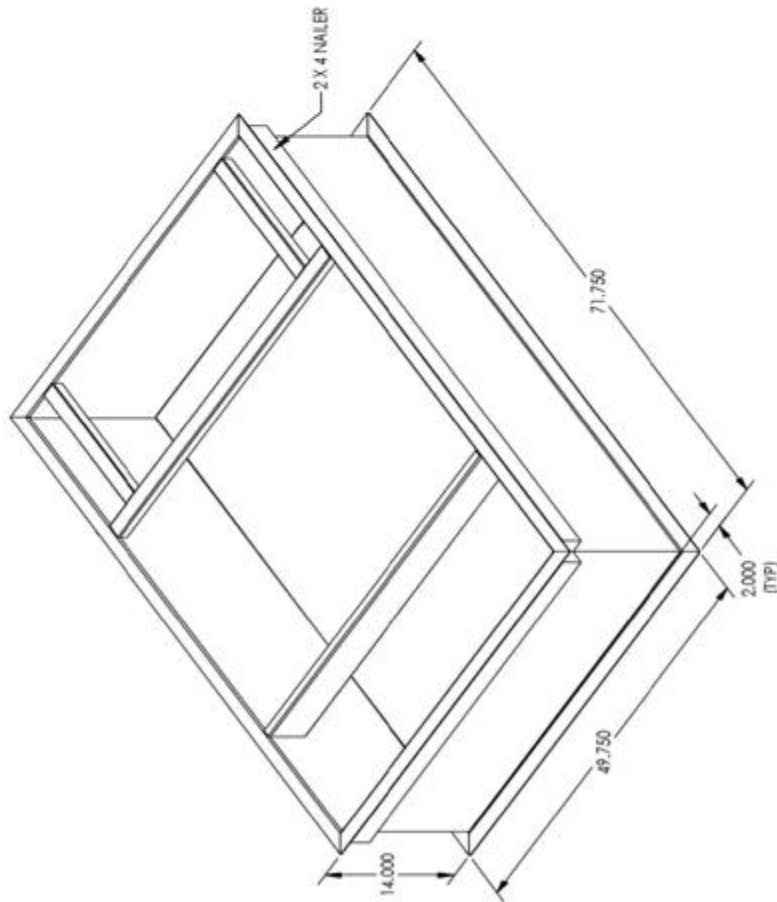
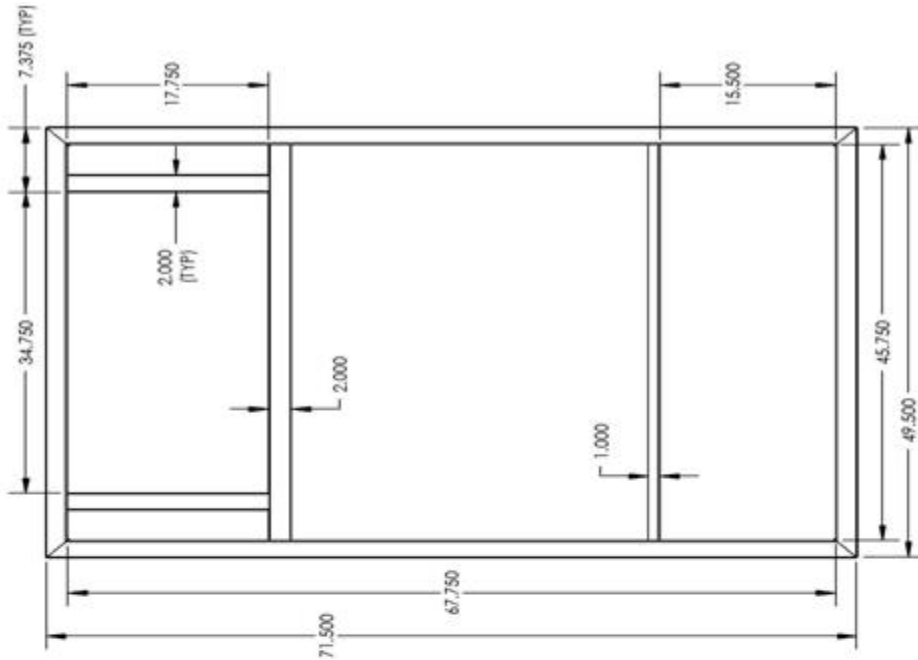
**ROOF CURB FOR UNITS 024 TO 060**



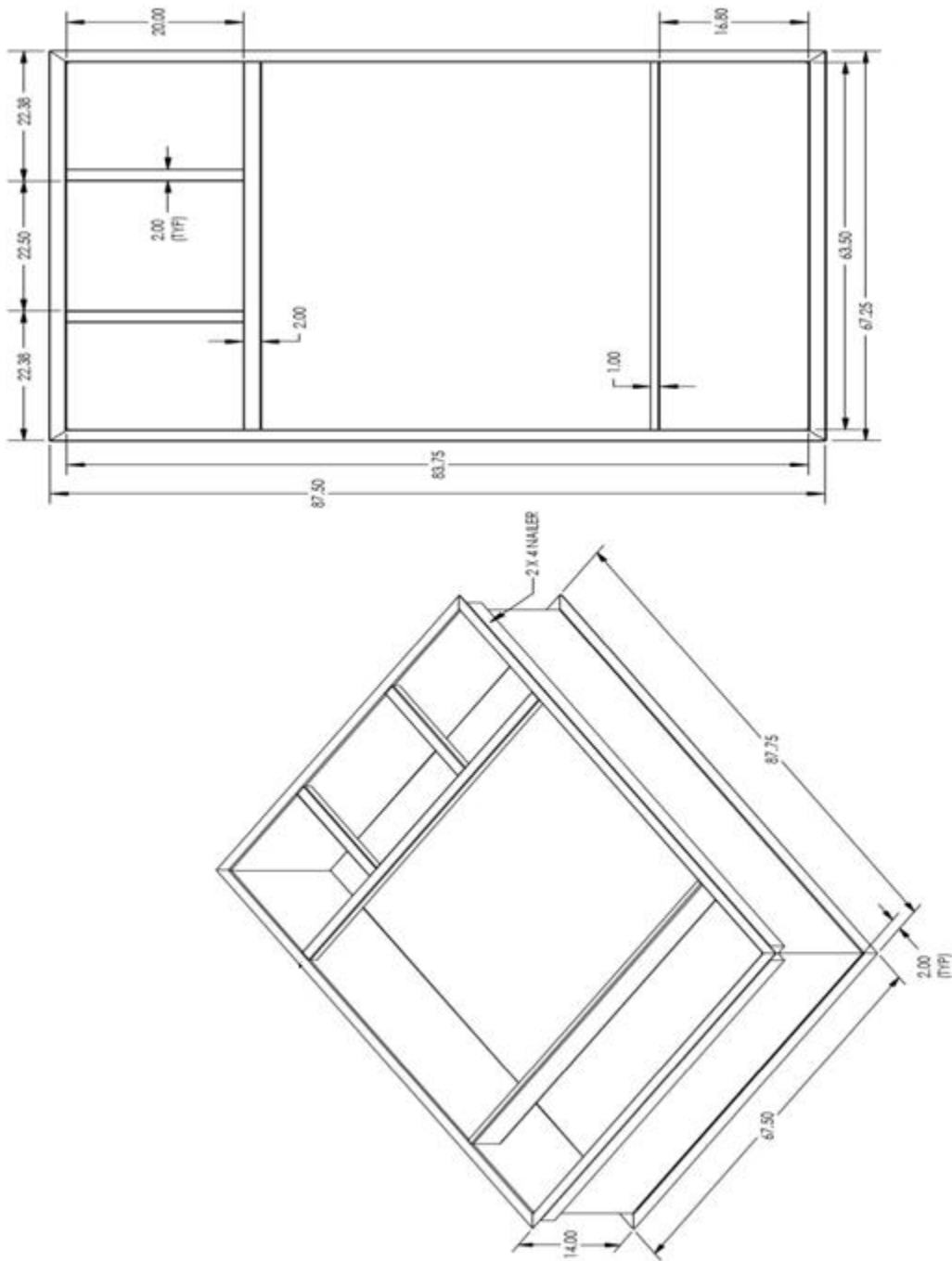
**ROOF CURB FOR UNITS 090 TO 120**



**ROOF CURB FOR UNIT 180**



**ROOF CURB FOR UNIT 240**



**CHILLED WATER 10 Deg. F WATER TEMPERATURE RISE 45 Deg. F EWT/55 Deg. LWT**

<b>24-HW -4 ROW Chilled Water Cooling</b>																		
CFM	85.0 Deg. F DB/71.0 Deg. F WB						80.0 Deg. F DB/67.0 Deg. F WB						75.0 Deg. F DB/63.0 Deg. F WB					
	GPM	WPD	TMBH	SMBH	LDB	LWB	GPM	WPD	TMBH	SMBH	LDB	LWB	GPM	WPD	TMBH	SMBH	LDB	LWB
600	4.9	1.9	24.5	15.8	60.7	59.1	3.6	1.1	18.2	13.5	59.2	57.6	2.7	0.6	13.3	11.5	57.3	55.7
800	5.7	2.7	28.6	19.2	62.9	60.7	4.3	1.6	21.3	16.5	60.9	58.9	3.2	0.9	15.8	14.3	58.5	56.6
1000	6.4	3.3	32.1	22.2	64.5	61.9	4.8	2.0	24.1	19.3	62.2	59.7	3.6	1.1	18.0	16.8	59.6	57.2
<b>24-HW -6 ROW Chilled Water Cooling</b>																		
CFM	85.0 Deg. F DB/71.0 Deg. F WB						80.0 Deg. F DB/67.0 Deg. F WB						75.0 Deg. F DB/63.0 Deg. F WB					
	GPM	WPD	TMBH	SMBH	LDB	LWB	GPM	WPD	TMBH	SMBH	LDB	LWB	GPM	WPD	TMBH	SMBH	LDB	LWB
600	6.5	4.1	32.8	16.6	54.9	54.3	4.9	2.6	24.8	16.7	54.4	53.7	3.6	1.5	18.1	14.1	53.4	52.8
800	7.9	5.7	39.5	24.2	57.1	56.2	6.0	3.6	29.8	20.8	56.1	55.2	4.4	2.2	21.9	17.6	54.7	53.8
1000	9.0	7.4	45.2	28.4	58.8	57.6	6.8	4.5	34.1	24.5	57.5	56.3	5.0	2.7	25.2	20.9	55.7	54.6
<b>24-HW -8 ROW Chilled Water Cooling</b>																		
CFM	85.0 Deg. F DB/71.0 Deg. F WB						80.0 Deg. F DB/67.0 Deg. F WB						75.0 Deg. F DB/63.0 Deg. F WB					
	GPM	WPD	TMBH	SMBH	LDB	LWB	GPM	WPD	TMBH	SMBH	LDB	LWB	GPM	WPD	TMBH	SMBH	LDB	LWB
600	7.6	6.6	38.0	21.9	51.3	51.0	5.8	4.3	29.2	18.7	51.3	50.9	4.3	2.6	21.5	15.7	51.0	50.6
800	9.4	9.5	47.1	27.6	53.2	52.7	7.2	7.8	35.8	23.5	52.9	52.4	5.3	3.6	26.4	19.8	52.2	51.7
1000	10.9	12.4	54.8	32.8	54.8	52.2	8.3	7	41.7	28.0	54.2	53.6	6.2	4.7	30.9	23.7	53.1	52.5
<b>36-HW -4 ROW Chilled Water Cooling</b>																		
CFM	85.0 Deg. F DB/71.0 Deg. F WB						80.0 Deg. F DB/67.0 Deg. F WB						75.0 Deg. F DB/63.0 Deg. F WB					
	GPM	WPD	TMBH	SMBH	LDB	LWB	GPM	WPD	TMBH	SMBH	LDB	LWB	GPM	WPD	TMBH	SMBH	LDB	LWB
900	6.9	2.9	34.4	22.6	61.8	60.0	5.1	1.8	25.6	19.4	60.1	58.3	3.8	0.8	18.8	16.7	57.9	56.2
1200	8.0	3.8	40.1	27.4	63.9	61.5	6.0	2.2	29.9	23.7	61.8	59.4	4.4	1.2	22.2	20.5	59.2	57.0
1500	8.9	4.6	44.7	31.7	65.5	62.6	6.7	2.8	33.6	27.6	63.0	60.3	5.1	1.7	25.3	24.1	60.2	57.6
<b>36-HW -6 ROW Chilled Water Cooling</b>																		
CFM	85.0 Deg. F DB/71.0 Deg. F WB						80.0 Deg. F DB/67.0 Deg. F WB						75.0 Deg. F DB/63.0 Deg. F WB					
	GPM	WPD	TMBH	SMBH	LDB	LWB	GPM	WPD	TMBH	SMBH	LDB	LWB	GPM	WPD	TMBH	SMBH	LDB	LWB
900	9.4	6.0	46.9	28.4	56.0	55.2	7.1	3.7	35.4	24.2	55.2	54.4	5.2	2.2	26.0	20.5	54.1	53.3
1200	11.2	8.3	56.2	35.0	58.1	57.1	8.4	4.9	42.2	30.0	57.0	55.9	6.2	2.9	31.2	25.6	55.4	54.3
1500	12.8	10.1	63.9	40.9	59.9	58.5	9.6	6.6	48.2	35.3	58.3	57.0	7.2	3.7	35.8	30.3	56.4	55.1
<b>36-HW -8 ROW Chilled Water Cooling</b>																		
CFM	85.0 Deg. F DB/71.0 Deg. F WB						80.0 Deg. F DB/67.0 Deg. F WB						75.0 Deg. F DB/63.0 Deg. F WB					
	GPM	WPD	TMBH	SMBH	LDB	LWB	GPM	WPD	TMBH	SMBH	LDB	LWB	GPM	WPD	TMBH	SMBH	LDB	LWB
900	11.0	8.7	54.9	31.9	52.3	51.9	8.4	5.6	42.0	27.3	52.1	51.7	6.2	3.3	31.0	22.9	51.6	51.1
1200	13.5	12.5	67.4	40.0	54.3	53.7	10.3	8.4	51.4	34.3	53.7	53.1	7.6	5.0	38.0	29.0	52.8	52.2
1500	15.6	16.4	78.1	47.3	55.9	55.2	11.8	10.3	59.3	40.6	55.1	54.4	8.8	6.2	44.1	34.5	53.8	53.1
<b>48-HW -4 ROW Chilled Water Cooling</b>																		
CFM	85.0 Deg. F DB/71.0 Deg. F WB						80.0 Deg. F DB/67.0 Deg. F WB						75.0 Deg. F DB/63.0 Deg. F WB					
	GPM	WPD	TMBH	SMBH	LDB	LWB	GPM	WPD	TMBH	SMBH	LDB	LWB	GPM	WPD	TMBH	SMBH	LDB	LWB
1400	11.6	6.9	58.1	38.0	60.0	58.9	8.6	3.7	43.3	32.7	58.5	57.4	6.3	1.6	31.5	27.9	56.6	55.6
1600	12.6	7.7	63.0	42.1	60.8	59.6	9.4	4.3	47.2	36.3	59.1	57.9	6.9	2.0	34.5	31.2	57.0	55.9
1800	13.6	8.7	67.9	46.0	61.4	60.1	10.2	4.9	50.8	39.8	59.6	58.3	7.5	2.4	37.4	34.3	57.4	56.2
<b>48-HW -6 ROW Chilled Water Cooling</b>																		
CFM	85.0 Deg. F DB/71.0 Deg. F WB						80.0 Deg. F DB/67.0 Deg. F WB						75.0 Deg. F DB/63.0 Deg. F WB					
	GPM	WPD	TMBH	SMBH	LDB	LWB	GPM	WPD	TMBH	SMBH	LDB	LWB	GPM	WPD	TMBH	SMBH	LDB	LWB
1400	15.4	11.1	77.3	46.3	54.5	54.1	11.7	7.1	58.6	39.6	53.9	53.5	8.6	4.1	42.8	33.3	53.1	52.6
1600	17.0	14.0	85.2	51.6	55.2	54.8	12.9	9.0	64.7	44.2	54.5	54.0	9.4	5.2	47.3	37.3	53.5	53.0
1800	18.5	15.4	92.6	56.7	55.9	55.4	14.0	10.1	70.1	48.6	55.1	54.6	10.3	6.0	51.5	41.2	53.9	53.4
<b>48-HW -8 ROW Chilled Water Cooling</b>																		
CFM	85.0 Deg. F DB/71.0 Deg. F WB						80.0 Deg. F DB/67.0 Deg. F WB						75.0 Deg. F DB/63.0 Deg. F WB					
	GPM	WPD	TMBH	SMBH	LDB	LWB	GPM	WPD	TMBH	SMBH	LDB	LWB	GPM	WPD	TMBH	SMBH	LDB	LWB
1400	17.8	10.0	89.2	51.5	51.1	50.8	13.7	6.6	68.8	44.0	51.0	50.7	10.1	4.1	50.5	36.8	50.8	50.5
1600	19.8	11.5	99.1	57.6	51.8	51.5	15.2	8.0	76.3	49.3	51.6	51.3	11.2	4.9	56.2	41.3	51.2	50.9
1800	21.7	13.7	108.7	63.6	52.4	52.1	16.7	8.9	83.4	54.4	51.8	51.8	12.3	5.5	61.4	45.7	51.6	51.3



**CHILLED WATER 10 Deg. F WATER TEMPERATURE RISE 45 Deg. F EWT/55 Deg. LWT**

<b>180-RW -4 ROW Chilled Water Cooling</b>																		
CFM	85.0 Deg. F DB/71.0 Deg. F WB						80.0 Deg. F DB/67.0 Deg. F WB						75.0 Deg. F DB/63.0 Deg. F WB					
	GPM	WPD	TMBH	SMBH	LDB	LWB	GPM	WP D	TMBH	SMBH	LDB	LWB	GPM	WP D	TMBH	SMBH	LDB	LWB
5000	42.8	12.0	214.2	140.3	59.1	58.4	32.3	6.9	161.9	121.5	57.6	56.9	23.7	3.7	118.6	103.9	55.8	55.2
6000	48.1	15.1	240.8	161.5	60.2	59.3	36.3	8.7	181.8	140.1	58.5	57.6	26.8	4.8	134.0	120.6	56.5	55.7
7000	52.8	18.1	264.4	181.4	61.1	60.1	39.9	10.4	199.9	157.9	59.2	58.2	29.6	5.8	148.5	136.6	57.0	56.1
<b>180-RW -6 ROW Chilled Water Cooling</b>																		
CFM	85.0 Deg. F DB/71.0 Deg. F WB						80.0 Deg. F DB/67.0 Deg. F WB						75.0 Deg. F DB/63.0 Deg. F WB					
	GPM	WPD	TMBH	SMBH	LDB	LWB	GPM	WP D	TMBH	SMBH	LDB	LWB	GPM	WP D	TMBH	SMBH	LDB	LWB
5000	56.1	12.4	280.9	168	54.0	53.7	43.0	7.4	215.1	144.4	53.4	53.1	31.6	4.1	158.0	121.7	52.6	52.2
6000	64.1	16.0	321.0	194.9	55.1	54.7	48.9	9.5	244.9	167.6	54.3	53.9	36.0	5.3	180.3	142.0	53.2	52.8
7000	71.3	19.6	356.9	220.2	56.0	55.6	54.5	11.7	273.2	190.2	55.0	54.5	40.1	6.5	200.7	161.3	53.8	53.3
<b>180-RW -8 ROW Chilled Water Cooling</b>																		
CFM	85.0 Deg. F DB/71.0 Deg. F WB						80.0 Deg. F DB/67.0 Deg. F WB						75.0 Deg. F DB/63.0 Deg. F WB					
	GPM	WPD	TMBH	SMBH	LDB	LWB	GPM	WP D	TMBH	SMBH	LDB	LWB	GPM	WP D	TMBH	SMBH	LDB	LWB
5000	64.0	9.3	320.3	184.7	50.9	50.7	49.6	5.9	248.4	158.7	50.8	50.5	36.7	3.4	183.6	132.9	50.5	50.2
6000	74.0	12.2	370.4	215.7	51.9	51.6	57.2	7.6	286.7	185.5	51.5	51.2	42.4	4.4	212.1	155.9	51.1	50.8
7000	83.4	15.2	417.6	245.5	52.7	52.4	64.4	9.5	322.7	211.4	52.2	51.9	47.7	5.4	238.7	178.0	51.6	51.3
<b>240-RW -4 ROW Chilled Water Cooling</b>																		
CFM	85.0 Deg. F DB/71.0 Deg. F WB						80.0 Deg. F DB/67.0 Deg. F WB						75.0 Deg. F DB/63.0 Deg. F WB					
	GPM	WPD	TMBH	SMBH	LDB	LWB	GPM	WP D	TMBH	SMBH	LDB	LWB	GPM	WP D	TMBH	SMBH	LDB	LWB
7000	58.9	10.4	294.9	194.3	59.4	58.7	44.5	6.0	222.8	168.3	57.8	57.1	32.6	3.3	163.5	144.2	56.0	55.3
8000	64.1	12.3	321.0	215.3	60.2	59.3	48.4	7.1	242.4	186.9	58.5	57.6	35.7	3.9	178.7	160.8	56.5	55.7
9000	68.9	14.2	344.9	235.3	60.9	59.9	52.0	8.2	260.7	20.7	59.0	58.1	38.5	4.5	192.8	176.7	56.9	55
<b>240-RW -6 ROW Chilled Water Cooling</b>																		
CFM	85.0 Deg. F DB/71.0 Deg. F WB						80.0 Deg. F DB/67.0 Deg. F WB						75.0 Deg. F DB/63.0 Deg. F WB					
	GPM	WPD	TMBH	SMBH	LDB	LWB	GPM	WP D	TMBH	SMBH	LDB	LWB	GPM	WP D	TMBH	SMBH	LDB	LWB
7000	77.4	8.5	387.6	232.8	54.3	54.0	59.3	5.2	297.1	200.4	53.6	53.3	43.6	2.9	218.3	169.1	52.7	52.4
8000	85.5	10.3	427.9	259.9	55.1	54.7	65.2	6.2	326.5	223.5	54.3	53.9	48.0	3.5	240.5	189.3	53.2	52.8
9000	92.6	12.0	463.6	285.0	55.8	55.4	70.9	7.3	355.3	246.3	54.8	54.4	52.1	4.1	260.8	208.7	53.6	53.2
<b>240-RW -8 ROW Chilled Water Cooling</b>																		
CFM	85.0 Deg. F DB/71.0 Deg. F WB						80.0 Deg. F DB/67.0 Deg. F WB						75.0 Deg. F DB/63.0 Deg. F WB					
	GPM	WPD	TMBH	SMBH	LDB	LWB	GPM	WP D	TMBH	SMBH	LDB	LWB	GPM	WP D	TMBH	SMBH	LDB	LWB
7000	88.6	12.5	443.8	256.7	51.2	50.9	68.7	7.8	344.2	220.6	51.0	50.7	50.8	4.4	254.2	184.8	50.7	50.4
8000	98.6	15.3	493.8	287.6	51.9	51.6	76.3	9.5	382.2	247.4	51.5	51.2	56.5	5.4	282.8	207.8	51.1	50.8
9000	108.2	18.2	541.7	347.6	52.5	52.2	83.6	11.2	418.8	273.4	52.0	51.7	61.9	6.4	309.7	230.1	51.4	51.1

HOT WATER 20 Deg. F WATER TEMPERATURE DROP 180 Deg. F EWT/160 Deg. LWT																	
HOT WATER HEATING CAPACITY																	
24-RWH-2 ROW Hot Water Heating									24-RWH-1 ROW Hot Water Heating								
CFM	50.0 Deg. F EDB				60.0 Deg. F EDB				CFM	50.0 Deg. F EDB				60.0 Deg. F EDB			
	GPM	WPD	TMBH	LDB	GPM	WPD	TMBH	LDB		GPM	WPD	TMBH	LDB	GPM	WPD	TMBH	LDB
600	4.3	6.4	41.6	114	3.9	5.4	37.9	118	600	2.3	1.6	22.5	84.6	2.1	1.3	20.4	91.4
800	5.2	9.1	50.6	108	4.7	7.7	46.1	113	800	2.7	2.2	26.7	80.7	2.5	1.9	24.2	87.9
1000	6	11.9	58.5	104	5.5	10	53.3	109	1000	3.1	2.8	30.3	77.9	2.8	2.4	27.4	85.3
36-RWH-2 ROW Hot Water Heating									36-RWH-1 ROW Hot Water Heating								
CFM	50.0 Deg. F EDB				60.0 Deg. F EDB				CFM	50.0 Deg. F EDB				60.0 Deg. F EDB			
	GPM	WPD	TMBH	LDB	GPM	WPD	TMBH	LDB		GPM	WPD	TMBH	LDB	GPM	WPD	TMBH	LDB
900	6.1	6.2	59.9	111	5.6	5.3	54.6	116.0	900	3.3	1.5	32.1	82.9	3.0	1.2	29.1	89.9
1200	7.4	8.7	72.5	106	6.8	7.4	66.1	110.8	1200	3.9	2.0	38.0	79.2	3.5	1.7	34.4	86.4
1500	8.6	11.3	83.5	101	7.8	9.5	76.1	106.8	1500	4.4	2.5	42.9	76.4	4.0	2.1	38.9	83.9
48-RWH-2 ROW Hot Water Heating									48-RWH-1 ROW Hot Water Heating								
CFM	50.0 Deg. F EDB				60.0 Deg. F EDB				CFM	50.0 Deg. F EDB				60.0 Deg. F EDB			
	GPM	WPD	TMBH	LDB	GPM	WPD	TMBH	LDB		GPM	WPD	TMBH	LDB	GPM	WPD	TMBH	LDB
1400	10.3	12.3	100.3	116	9.4	10.3	91.4	120.2	1400	5.6	3.3	54.4	85.8	5.1	2.7	49.3	92.4
1600	11.3	14.5	109.8	113	10.3	12.2	100	117.7	1600	6.0	3.8	58.8	83.9	5.5	3.1	53.2	90.7
1800	12.2	16.7	118.8	111	11.1	14.1	108.2	115.4	1800	6.4	4.3	62.9	82.2	5.8	3.6	56.9	89.1
60-RWH-2 ROW Hot Water Heating									60-RWH-1 ROW Hot Water Heating								
CFM	50.0 Deg. F EDB				60.0 Deg. F EDB				CFM	50.0 Deg. F EDB				60.0 Deg. F EDB			
	GPM	WPD	TMBH	LDB	GPM	WPD	TMBH	LDB		GPM	WPD	TMBH	LDB	GPM	WPD	TMBH	LDB
1800	12.8	6.7	125.0	114	11.7	5.7	113.9	118.3	1800	6.9	1.6	67.2	84.4	6.2	1.3	60.8	91.2
2000	13.8	7.5	134.2	112	12.5	6.4	122.2	116.3	2000	7.3	1.7	71.4	82.9	6.6	1.5	64.6	89.8
2200	14.6	8.3	142.8	110	13.3	7.1	130.1	114.5	2200	7.7	1.9	75.3	81.6	7.0	1.6	68.1	88.6
90-RWH-2 ROW Hot Water Heating									120-RWH-2 ROW Hot Water Heating								
CFM	50.0 Deg. F EDB				60.0 Deg. F EDB				CFM	50.0 Deg. F EDB				60.0 Deg. F EDB			
	GPM	WPD	TMBH	LDB	GPM	WPD	TMBH	LDB		GPM	WPD	TMBH	LDB	GPM	WPD	TMBH	LDB
2500	20.4	7.1	199.0	123	18.6	5.9	181.2	126.8	3000	24.9	9	242.9	124.7	22.7	7.5	221.2	128.0
3000	23	8.9	223.9	119	20.9	7.4	203.9	122.7	4000	30.0	13	292.6	117.5	27.3	10.8	266.4	121.4
3500	25.3	10.7	246.3	115	23	8.9	224.3	119.1	5000	34.4	16.9	335.0	111.8	31.3	14.0	304.1	116.2
180-RWH-2 ROW Hot Water Heating									240-RWH-2 ROW Hot Water Heating								
CFM	50.0 Deg. F EDB				60.0 Deg. F EDB				CFM	50.0 Deg. F EDB				60.0 Deg. F EDB			
	GPM	WPD	TMBH	LDB	GPM	WPD	TMBH	LDB		GPM	WPD	TMBH	LDB	GPM	WPD	TMBH	LDB
5000	39.7	11.6	387.6	122	36.2	9.7	353.3	125.2	7000	54.5	6.9	531.8	120.1	49.7	5.8	484.7	123.8
6000	44.6	14.5	434.9	117	40.6	12.1	396.3	120.9	8000	59.3	8.1	578.3	116.7	54.0	6.8	527.0	120.7
7000	49.0	17.4	477.3	113	44.6	14.5	435	117.3	9000	63.7	9.3	621.1	113.6	58.0	7.8	565.9	118.0

**INTERNAL STATIC PRESSURES CHILLED AND HOT WATER COIL**

SIZE	CFM	COIL FV	2"	MAXIMUM 10 ROWS 24 THRU 120 MAXIMUM 8 ROWS 180 & 240					TOTAL SP
			TA	1 ROW	2 ROW	4 ROW	6 ROW	8 ROW	
			ISP	ISP	ISP	ISP	ISP	ISP	
<b>24</b>	600	279	0.07	0.02	0.05	0.2	0.3	0.4	
	700	325	0.08	0.03	0.06	0.26	0.39	0.52	
	800	372	0.09	0.04	0.08	0.32	0.48	0.64	
	900	418	0.11	0.05	0.1	0.39	0.58	0.78	
	1000	465	0.12	0.06	0.12	0.46	0.7	0.93	
<b>36</b>	900	322	0.11	0.04	0.06	0.25	0.38	0.51	
	1050	375	0.12	0.05	0.08	0.33	0.49	0.65	
	1200	429	0.14	0.06	0.1	0.41	0.61	0.81	
	1350	482	0.16	0.07	0.13	0.49	0.74	0.99	
	1500	536	0.18	0.09	0.15	0.59	0.88	1.17	
<b>48</b>	1200	288	0.09	0.04	0.05	0.21	0.32	0.42	
	1400	336	0.11	0.06	0.06	0.27	0.41	0.54	
	1600	384	0.12	0.07	0.08	0.34	0.51	0.68	
	1800	432	0.14	0.09	0.1	0.41	0.62	0.82	
	2000	480	0.15	0.11	0.12	0.49	0.73	0.98	
<b>60</b>	1500	309	0.11	0.05	0.1	0.28	0.42	0.55	
	1750	360	0.13	0.06	0.13	0.36	0.54	0.72	
	2000	411	0.15	0.08	0.16	0.45	0.68	0.9	
	2250	463	0.17	0.10	0.2	0.55	0.83	1.1	
	2500	514	0.19	0.12	0.24	0.66	0.99	1.32	
<b>90</b>	2250	306	0.15	0.10	0.11	0.4	0.6	0.8	
	2625	357	0.18	0.11	0.14	0.5	0.75	1	
	3000	409	0.20	0.14	0.17	0.6	0.91	1.21	
	3375	460	0.23	0.16	0.21	0.71	1.07	1.43	
	3750	511	0.26	0.18	0.25	0.83	1.24	1.65	
<b>120</b>	3000	323	0.2	0.10	0.12	0.43	0.65	0.86	
	3500	376	0.24	0.11	0.15	0.54	0.81	1.07	
	4000	430	0.27	0.14	0.19	0.65	0.97	1.3	
	4500	483	0.31	0.17	0.23	0.77	1.15	1.53	
	5000	538	0.34	0.20	0.28	0.89	1.33	1.78	
	5000	381	0.13	0.11	0.15	0.55	0.82	1.09	
<b>180</b>	5500	419	0.15	0.14	0.18	0.63	0.94	1.25	
	6000	457	0.16	0.17	0.21	0.71	1.06	1.41	
	6500	495	0.17	0.19	0.24	0.79	1.19	1.58	
	7000	533	0.19	0.21	0.27	0.88	1.32	1.76	
	7000	400	0.19	0.14	0.17	0.59	0.88	1.17	
<b>240</b>	7500	429	0.2	0.16	0.19	0.65	0.97	1.29	
	8000	457	0.21	0.18	0.21	0.71	1.06	1.41	
	8500	485	0.23	0.20	0.23	0.77	1.16	1.54	
	9000	514	0.24	0.23	0.26	0.84	1.25	1.67	

**Internal Static Pressure Calculation**

Select a Unit and Approximate CFM from the two left columns- Select the total number of rows and filter- Add filter to coil static pressure to obtain total ISP (internal static pressure) – Add the ISP to ESP for the system to obtain TSP (total static pressure)

**INTERNAL STATIC PRESSURES CHILLED AND HOT WATER COIL**

SIZE	CFM	COIL FV	2"	MAXIMUM 10 ROWS 24 THRU 120 MAXIMUM 8 ROWS 180 & 240					TOTAL SP
			TA	1 ROW	2 ROW	4 ROW	6 ROW	8 ROW	
			ISP	ISP	ISP	ISP	ISP	ISP	
24	600	279	0.07	0.02	0.05	0.19	0.28	0.37	
	800	372	0.09	0.04	0.08	0.3	0.45	0.6	
	1000	465	0.12	0.06	0.12	0.43	0.64	0.86	
36	900	322	0.11	0.04	0.06	0.24	0.35	0.47	
	1200	429	0.14	0.06	0.1	0.38	0.56	0.75	
	1500	536	0.18	0.09	0.15	0.54	0.62	1.09	
48	1200	288	0.09	0.04	0.05	0.23	0.34	0.46	
	1600	384	0.12	0.07	0.08	0.37	0.56	0.74	
	2000	480	0.15	0.11	0.12	0.54	0.81	1.08	
60	1500	309	0.11	0.05	0.10	0.26	0.38	0.51	
	2000	411	0.15	0.08	0.16	0.42	0.63	0.83	
	2500	514	0.19	0.12	0.24	0.61	0.91	1.22	
90	2250	306	0.15	0.06	0.11	0.38	0.57	0.75	
	3000	409	0.20	0.08	0.17	0.57	0.85	1.13	
	3750	511	0.26	0.12	0.25	0.77	1.16	1.55	
120	3000	323	0.20	0.06	0.12	0.41	0.61	0.81	
	4000	430	0.27	0.09	0.19	0.61	0.81	1.22	
	5000	538	0.34	0.14	0.28	0.83	1.25	1.67	
180	5000	381	0.13	0.07	0.15	0.51	0.77	1.02	
	6000	457	0.16	0.11	0.21	0.66	0.99	1.33	
	7000	533	0.19	0.13	0.27	0.82	1.24	1.65	
240	7000	400	0.19	0.09	0.17	0.55	0.82	1.1	
	8000	457	0.21	0.11	0.21	0.66	0.99	1.33	
	9000	514	0.24	0.13	0.26	0.78	1.17	1.57	

**Internal Static Pressure Calculation**

Select a Unit and Approximate CFM from the two left columns- Select the total number of rows and filter- Add filter to coil static pressure to obtain total ISP (internal static pressure) – Add the ISP to ESP for the system to obtain TSP (total static pressure)

**BLOWER PERFORMANCE TABLES**

Air Volume Capacity - 2-Pipe, 4-Row Coil														
Model	Internal SP	cfm	0.25" ESP		0.50" ESP		0.75" ESP		1.00" ESP		1.25" ESP		1.50" ESP	
			RPM	BHP	RPM	BHP	RPM	BHP	RPM	BHP	RPM	BHP	RPM	BHP
RWH24	.17	600	864	0.12	998	0.17	1144	0.24	1288	0.32	1424	0.41	1549	0.49
	.22	700	966	0.18	1073	0.22	1193	0.29	1318	0.37	1443	0.46	1564	0.56
	.27	800	866	0.17	1025	0.22	1152	0.28	1267	0.34	1374	0.41	1475	0.47
	.33	900	955	0.22	1084	0.28	1202	0.35	1312	0.41	1415	0.48	1511	0.55
	.39	1000	1050	0.29	1143	0.35	1255	0.42	1359	0.49	1457	0.57	1550	0.64
RWH36	.17	900	865	0.19	1002	0.24	1416	0.48	1243	0.37	1350	0.44	1450	0.51
	.22	1050	958	0.27	N/A	N/A	1195	0.40	1494	0.63	1403	0.55	1498	0.63
	.27	1200	905	0.25	1041	0.33	1165	0.41	1281	0.50	1391	0.59	N/A	N/A
	.33	1350	978	0.33	1103	0.42	1219	0.50	1328	0.60	1431	0.69	1529	0.80
	.39	1500	1051	0.43	1166	0.52	1274	0.61	1377	0.71	1474	0.82	1568	0.93
RWH48	.14	1200	829	0.21	988	0.30	1102	0.37	1222	0.45	1335	0.54	1441	0.63
	.19	1400	919	0.31	1047	0.39	1165	0.48	1276	0.55	1381	0.67	1480	0.77
	.24	1600	1010	0.44	1126	0.53	1235	0.62	1337	0.72	1434	0.83	1527	0.94
	.29	1800	842	0.44	952	0.54	1054	0.65	1151	0.76	1244	0.88	1333	1.01
	.36	2000	912	0.58	1013	0.69	1108	0.80	1198	0.92	1285	1.05	1369	1.19
RWH60	.16	1500	721	0.26	848	0.35	966	0.45	1076	0.55	1181	0.66	1281	0.78
	.20	1750	790	0.38	905	0.48	1011	0.58	1112	0.69	1207	0.81	1299	0.93
	.26	2000	869	0.53	973	0.64	1070	0.76	1162	0.87	1126	1.01	1335	1.13
	.32	2250	949	0.72	1044	0.84	1133	0.97	1218	1.10	1300	1.23	1379	1.37
	.38	2500	1028	0.95	1115	1.08	1198	1.22	1277	1.36	1354	1.51	1427	1.65
RWH90	.15	2250	693	0.51	801	0.64	910	0.79	1011	0.95	1103	1.11	1187	1.27
	.19	2625	772	0.76	862	0.90	956	1.06	1049	1.23	1137	1.41	1220	1.60
	.24	3000	857	1.08	933	1.24	1014	1.41	1096	1.59	1178	1.79	1257	1.99
	.30	3375	947	1.50	1012	1.66	1082	1.84	1154	2.04	1228	2.25	1300	2.47
	.36	3750	1036	2.01	1094	2.18	1155	2.38	1218	2.58	1284	2.80	1350	3.03
RWH120	.16	3000	635	0.80	646	0.76	718	0.90	785	1.05	849	1.20	910	1.36
	.21	3500	635	0.93	705	1.09	769	1.25	831	1.41	889	1.58	945	1.76
	.26	4000	703	1.32	765	1.50	824	1.68	881	1.87	934	2.05	986	2.25
	.32	4500	773	1.81	830	2.02	884	2.22	936	2.43	986	2.64	1034	2.85
	.39	5000	846	2.43	898	2.66	948	2.89	995	3.11	1042	3.34	1087	3.57
RWH180	.21	5000	670	1.57	733	1.80	793	2.03	850	2.26	905	2.49	959	2.73
	.25	5500	723	2.03	782	2.28	837	2.53	891	2.79	942	3.04	992	3.30
	.29	6000	776	2.58	831	2.85	883	3.12	933	3.40	982	3.67	1029	3.95
	.33	6500	829	3.21	881	3.51	930	3.81	977	4.10	1023	4.40	1068	4.70
	.38	7000	869	3.86	933	4.28	980	4.60	1024	4.92	1068	5.23	1110	5.56
RWH240	.24	7000	856	3.78	906	4.10	954	4.42	1000	4.74	1044	5.06	1086	5.38
	.27	7500	909	4.59	957	4.93	1002	5.28	1045	5.62	1087	5.96	1128	6.30
	.30	8000	962	5.51	1007	5.88	1050	6.24	1091	6.61	1131	6.97	1170	7.33
	.34	8500	1017	6.55	1060	6.95	1100	7.34	1140	7.73	1178	8.11	1215	8.50
	.37	9000	1070	7.71	1111	8.13	1150	8.55	1187	8.96	1224	9.37	1260	9.78

### BLOWER PERFORMANCE TABLES

Air Volume Capacity - 4-Pipe, 4-Row Cooling and 2-Row Heating Coils														
Model	Internal SP	cfm	0.25" ESP		0.50" ESP		0.75" ESP		1.00" ESP		1.25" ESP		1.50" ESP	
			RPM	BHP	RPM	BHP	RPM	BHP	RPM	BHP	RPM	BHP	RPM	BHP
RWH24	.25	600	906	0.14	1046	0.19	1191	0.26	1333	0.35	1464	0.43	1584	0.52
	.33	700	1012	0.19	1125	0.25	1247	0.32	1374	0.41	1497	0.50	1615	0.60
	.40	800	1117	0.27	1211	0.32	1313	0.39	1421	0.48	1531	0.57	1641	0.68
	.49	900	1039	0.26	1161	0.32	1274	0.39	1379	0.46	1477	0.53	1570	0.60
	.58	1000	1115	0.34	1229	0.40	1335	0.47	1434	0.06	1528	0.62	1618	0.70
RWH36	.25	900	826	0.15	1044	0.26	1165	0.33	1278	0.39	1383	0.46	1481	0.53
	.33	1050	905	0.22	1132	0.37	1243	0.44	1347	0.51	1445	0.58	1538	0.66
	.40	1200	977	0.29	1107	0.37	1320	0.57	1414	0.65	1509	0.73	1596	0.81
	.49	1350	1059	0.39	1178	0.47	1289	0.56	1394	0.66	1494	0.76	1590	0.87
	.58	1500	1139	0.50	1249	0.59	1353	0.69	1451	0.79	1546	0.90	1636	1.01
RWH48	.21	1200	870	0.23	1009	0.31	1136	0.39	1254	0.47	1365	0.57	N/A	N/A
	.29	1400	972	0.34	1096	0.43	1211	0.52	1319	0.61	1421	0.71	1519	0.81
	.36	1600	1222	0.61	1179	0.57	1284	0.67	1384	0.77	1479	0.88	1570	0.99
	.44	1800	909	0.50	1014	0.60	1113	0.71	1207	0.83	1298	0.96	1386	1.09
	.54	2000	985	0.66	1082	0.77	1173	0.89	1261	1.02	1345	1.15	1427	1.29
RWH60	.24	1500	763	0.29	887	0.38	1002	0.48	1110	0.58	1213	0.70	1312	0.82
	.31	1750	842	0.42	952	0.52	1056	0.63	1154	0.74	1248	0.86	1339	0.99
	.39	2000	925	0.59	1025	0.70	1119	0.82	1209	0.94	1295	1.07	1379	1.20
	.48	2250	1010	0.80	1102	0.92	1188	1.05	1271	1.18	1351	1.34	1428	1.46
	.58	2500	1098	1.06	1182	1.19	1262	1.34	1339	1.48	1413	1.62	1485	1.78
RWH90	.23	2250	727	0.55	836	0.69	943	0.84	1041	1.00	1131	1.16	1212	1.32
	.29	2625	807	0.81	899	0.96	993	1.13	1085	1.30	1171	1.48	1252	1.67
	.37	3000	896	1.16	975	1.32	1057	1.50	1139	1.69	1219	1.89	1296	2.10
	.46	3375	988	1.60	1056	1.78	1128	1.97	1201	2.17	1274	2.39	1346	2.61
	.55	3750	1080	2.14	1140	2.33	1203	2.53	1268	3.68	1334	2.98	1400	3.21
RWH120	.24	3000	635	0.78	670	0.81	740	0.95	806	1.10	869	1.25	929	1.41
	.32	3500	666	1.00	734	1.16	797	1.32	857	1.49	914	1.66	974	1.66
	.39	4000	736	1.41	796	1.59	854	1.78	909	1.96	962	2.15	1013	2.35
	.49	4500	761	1.49	820	1.67	876	1.85	930	2.04	982	2.23	1033	2.43
	.59	5000	888	2.61	938	2.84	986	3.07	1033	3.30	1078	3.53	1122	3.76
RWH180	.32	5000	698	1.67	760	1.90	818	2.13	875	2.36	929	2.60	982	2.84
	.38	5500	754	2.16	811	2.41	865	2.66	918	2.92	969	3.18	1018	3.44
	.44	6000	810	2.74	863	3.02	914	3.29	963	3.56	1010	3.84	1057	4.12
	.50	6500	865	3.42	915	3.71	962	4.01	1009	4.30	1053	4.60	1097	4.90
	.58	7000	924	4.22	971	4.53	1016	4.85	1059	5.17	1101	5.49	1143	5.81
RWH240	.36	7000	881	3.93	930	4.25	976	4.57	1021	4.89	1064	5.21	1106	5.53
	.41	7500	936	4.78	982	5.13	1026	5.47	1069	5.81	1110	6.15	1150	6.49
	.46	8000	991	5.74	1035	6.11	1077	6.48	1117	6.84	1156	7.20	1195	7.57
	.51	8500	1046	6.82	1088	7.22	1127	7.60	1166	7.99	1204	8.38	1240	8.76
	.56	9000	1101	8.03	1140	8.45	1178	8.86	1215	9.27	1251	9.68	1287	10.09

### (R-22) DX Cooling Capacity RX\*D-024

4 Row DX Coil						
77 °F EDB / 64 °F EWB						
CFM	Suction Temp.	APD FV	Total Capacity	Sensible Capacity	Leaving Air Temp.	
					DB °F	WB °F
600	35 °F	0.19	29,500	18,810	47.2	45.1
	40 °F		25,270	16,700	50.5	48.1
	45 °F		20,100	14,410	54.2	51.6
	50 °F					
800	35 °F	0.30	34,560	22,400	50.4	47.7
	40 °F		30,160	20,330	52.8	49.9
	45 °F		29,510	20,940	52.1	50.3
	50 °F		22,800	18,250	55.3	53.5
1000	35 °F	0.43	35,290	25,340	52.9	49.7
	40 °F		33,230	23,060	55.1	51.7
	45 °F		27,110	20,520	57.5	54.1
	50 °F		18,980	17,420	60.4	57.0

4 Row DX Coil						
80 °F EDB / 67 °F EWB						
CFM	Suction Temp.	APD FV	Total Capacity	Sensible Capacity	Leaving Air Temp.	
					DB °F	WB °F
600	35 °F	0.19	33,300	19,670	48.6	46.6
	40 °F		29,620	17,890	51.5	49.2
	45 °F		24,460	15,640	55.1	52.6
	50 °F		18,820	13,440	58.6	56.1
800	35 °F	0.30	38,800	23,280	52.2	49.6
	40 °F		34,340	21,260	54.6	51.8
	45 °F		29,130	19,100	57.2	54.3
	50 °F		22,210	16,460	60.3	57.4
1000	35 °F	0.43	44,090	26,780	54.4	51.3
	40 °F		38,140	24,200	56.9	53.6
	45 °F		33,060	22,150	58.8	55.5
	50 °F		25,160	19,200	61.6	58.3

4 Row DX Coil						
85 °F EDB / 71 °F EWB						
CFM	Suction Temp.	APD FV	Total Capacity	Sensible Capacity	Leaving Air Temp.	
					DB °F	WB °F
600	35 °F	0.19	38,540	21,222	50.9	48.8
	40 °F		34,720	19,470	53.7	51.4
	45 °F		30,600	17,740	56.5	54.1
	50 °F		24,810	15,530	60.0	57.6
800	35 °F	0.30	45,640	25,420	54.3	51.8
	40 °F		40,450	23,190	57.0	54.3
	45 °F		35,540	21,240	59.4	56.5
	50 °F		29,460	19,000	62.1	59.2
1000	35 °F	0.43	50,210	28,520	57.5	54.4
	40 °F		45,720	26,680	59.3	56.1
	45 °F		39,520	24,300	61.5	58.3
	50 °F		33,460	22,120	63.6	60.3

6 Row DX Coil						
77 °F EDB / 64 °F EWB						
CFM	Suction Temp.	APD FV	Total Capacity	Sensible Capacity	Leaving Air Temp.	
					DB °F	WB °F
600	35 °F	0.28	34,970	22,080	42.0	40.9
	40 °F		30,340	19,600	45.9	44.4
	45 °F		24,370	16,820	50.3	48.7
	50 °F					
800	35 °F	0.45	42,110	26,860	45.1	43.5
	40 °F		36,710	24,150	48.3	46.5
	45 °F		30,120	21,190	51.8	49.9
	50 °F		21,570	17,750	55.9	54.1
1000	35 °F	0.65	48,460	31,260	47.3	45.4
	40 °F		41,580	27,980	50.4	48.3
	45 °F		35,010	25,120	53.1	51.0
	50 °F		24,910	21,130	56.9	54.9

6 Row DX Coil						
80 °F EDB / 67 °F EWB						
CFM	Suction Temp.	APD FV	Total Capacity	Sensible Capacity	Leaving Air Temp.	
					DB °F	WB °F
600	35 °F	0.28	39,400	23,111	43.2	42
	40 °F		35,480	21,060	46.4	45.0
	45 °F		29,510	18,310	50.8	49.3
	50 °F		23,150	15,720	55.0	53.5
800	35 °F	0.45	47,910	28,280	46.2	44.7
	40 °F		42,070	25,450	49.6	47.9
	45 °F		36,500	23,010	52.5	50.7
	50 °F		28,380	19,780	56.4	54.6
1000	35 °F	0.65	54,610	32,590	48.8	47
	40 °F		47,270	29,240	52	50.1
	45 °F		40,960	26,600	54.6	52.6
	50 °F		32,680	23,400	57.6	55.7

6 Row DX Coil						
85 °F EDB / 71 °F EWB						
CFM	Suction Temp.	APD FV	Total Capacity	Sensible Capacity	Leaving Air Temp.	
					DB °F	WB °F
600	35 °F	0.28	45,360	24,830	45.1	43.8
	40 °F		41,180	22,770	48.4	46.9
	45 °F		36,780	20,810	51.5	50
	50 °F		30,510	18,280	55.6	54.2
800	35 °F	0.45	55,450	30,510	48.2	46.7
	40 °F		50,050	28,020	51.2	49.5
	45 °F		43,700	25,350	54.4	52.7
	50 °F		37,270	22,870	57.4	55.7
1000	35 °F	0.65				
	40 °F		56,840	32,370	53.8	51.8
	45 °F		49,000	29,230	56.8	54.9
	50 °F		41,640	26,500	59.4	57.5

8 Row DX Coil						
77 °F EDB / 64 °F EWB						
CFM	Suction Temp.	APD FV	Total Capacity	Sensible Capacity	Leaving Air Temp.	
					DB °F	WB °F
600	35 °F	0.37	38,570	24,280	38.5	37.9
	40 °F		33,490	21,360	43.1	42
	45 °F		27,210	18,290	48.0	46.7
	50 °F		19,900	15,190	52.9	51.7
800	35 °F	0.6	46,770	29,580	41.8	40.8
	40 °F		41,200	26,640	45.3	44.0
	45 °F		33,820	23,180	49.4	48.0
	50 °F		24,800	19,440	53.9	52.6
1000	35 °F	0.87	55,130	35,080	43.6	42.4
	40 °F		47,420	31,200	47.3	45.8
	45 °F		40,130	27,890	50.5	48.9
	50 °F		28,960	23,340	54.8	53.4

8 Row DX Coil						
80 °F EDB / 67 °F EWB						
CFM	Suction Temp.	APD FV	Total Capacity	Sensible Capacity	Leaving Air Temp.	
					DB °F	WB °F
600	35 °F	0.37	43,430	25,460	39.4	38.8
	40 °F		38,990	22,950	43.4	42.3
	45 °F		32,690	19,890	48.3	47
	50 °F		25,850	17,000	52.9	51.7
800	35 °F	0.6	53,450	31,360	42.5	41.5
	40 °F		46,560	27,820	46.7	45.4
	45 °F		41,060	25,310	49.8	48.4
	50 °F		32,190	21,650	54.1	52.8
1000	35 °F	0.87				
	40 °F		54,930	33,140	48.3	46.9
	45 °F		46,650	29,500	51.8	50.3
	50 °F		37,700	25,930	55.2	53.8

8 Row DX Coil						
85 °F EDB / 71 °F EWB						
CFM	Suction Temp.	APD FV	Total Capacity	Sensible Capacity	Leaving Air Temp.	
					DB °F	WB °F
600	35 °F	0.37	50,080	27,420	40.9	40.1
	40 °F		45,400	24,910	44.9	43.8
	45 °F		40,550	22,610	48.6	47.4
	50 °F		33,640	19,710	53.3	52.1
800	35 °F	0.6	61,530	33,690	44.4	43.2
	40 °F		54,860	30,440	48.3	47.0
	45 °F		47,970	27,440	51.9	50.6
	50 °F		41,930	25,030	54.8	53.6
1000	35 °F	0.87				
	40 °F		64,600	36,160	50.1	48.7
	45 °F		55,980	32,540	53.6	52.2
	50 °F		49,280	29,950	56.1	54.8

### (R-22) DX Cooling Capacity RX\*D-036

4 Row DX Coil							
77 °F EDB / 64 °F EWB							
CFM	Suction Temp.	APD FV	Total Capacity	Sensible Capacity	Leaving Air Temp.		
					DB °F	WB °F	
900	35 °F	0.24	322	41,410	26,620	48.9	46.5
	40 °F			36,080	24,030	51.6	49.0
	45 °F			28,720	20,820	55.0	52.2
	50 °F						
1200	35 °F	0.38	429	48,400	31,710	51.9	48.9
	40 °F			41,380	28,500	54.4	51.2
	45 °F			33,940	25,370	56.9	53.6
	50 °F			23,760	21,460	60.0	56.7
1500	35 °F	0.55	536	53,920	36,050	54.1	50.6
	40 °F			45,740	32,450	56.4	52.8
	45 °F			38,270	29,400	58.4	54.6
	50 °F			26,670	25,020	61.1	57.4

4 Row DX Coil							
80 °F EDB / 67 °F EWB							
CFM	Suction Temp.	APD FV	Total Capacity	Sensible Capacity	Leaving Air Temp.		
					DB °F	WB °F	
900	35 °F	0.24	322	46,500	27,690	50.6	48.2
	40 °F			41,180	25,210	53.2	50.7
	45 °F			34,890	22,540	56.0	53.4
	50 °F			26,830	19,430	59.4	56.7
1200	35 °F	0.38	429	54,680	33,080	53.6	50.7
	40 °F			47,410	29,880	56.2	53.1
	45 °F			41,320	27,410	58.2	55.0
	50 °F			31,530	23,710	61.1	57.9
1500	35 °F	0.55	536	59,580	36,960	56.4	53.6
	40 °F			53,530	34,420	58.1	54.6
	45 °F			44,750	30,960	60.3	56.7
	50 °F			35,500	27,560	62.4	58.8

4 Row DX Coil							
85 °F EDB / 71 °F EWB							
CFM	Suction Temp.	APD FV	Total Capacity	Sensible Capacity	Leaving Air Temp.		
					DB °F	WB °F	
900	35 °F	0.24	322	54,500	30,170	52.6	50.3
	40 °F			48,510	27,520	55.5	53.0
	45 °F			42,650	25,140	58.0	55.5
	50 °F			35,430	22,430	60.9	58.3
1200	35 °F	0.38	429	56,760	32,930	58.5	55.5
	40 °F			49,180	30,000	60.9	57.8
	45 °F			41,640	27,270	63.1	59.9
	50 °F						
1500	35 °F	0.55	536	63,080	37,480	60.9	57.4
	40 °F			53,850	34,040	63.1	59.5
	45 °F			45,310	31,050	65.0	61.4
	50 °F						

6 Row DX Coil							
77 °F EDB / 64 °F EWB							
CFM	Suction Temp.	APD FV	Total Capacity	Sensible Capacity	Leaving Air Temp.		
					DB °F	WB °F	
900	35 °F	0.36	322	50,610	32,040	43.2	41.8
	40 °F			43,760	28,460	46.9	45.3
	45 °F			34,980	24,440	51.2	49.5
	50 °F						
1200	35 °F	0.57	429	60,390	38,730	46.3	44.6
	40 °F			52,470	34,850	49.4	47.4
	45 °F			42,780	30,580	52.8	50.8
	50 °F			30,510	25,720	56.6	54.7
1500	35 °F	0.83	536	69,270	44,990	48.5	46.4
	40 °F			59,280	40,330	51.4	49.2
	45 °F			49,360	36,090	54.1	51.8
	50 °F			34,950	30,470	57.7	55.5

6 Row DX Coil							
80 °F EDB / 67 °F EWB							
CFM	Suction Temp.	APD FV	Total Capacity	Sensible Capacity	Leaving Air Temp.		
					DB °F	WB °F	
900	35 °F	0.36	322	57,130	33,560	44.3	43.0
	40 °F			51,230	30,560	47.5	46.0
	45 °F			42,460	26,590	51.7	50.1
	50 °F			33,180	22,860	55.7	54.1
1200	35 °F	0.57	429	68,620	40,690	47.6	45.9
	40 °F			60,130	36,680	50.8	48.9
	45 °F			51,950	33,170	53.6	51.7
	50 °F			40,030	28,500	57.3	55.4
1500	35 °F	0.83	536	77,840	46,780	50.2	48.1
	40 °F			67,350	42,090	53.2	51.0
	45 °F			58,100	38,290	55.6	53.4
	50 °F			45,420	33,640	58.6	56.4

6 Row DX Coil							
85 °F EDB / 71 °F EWB							
CFM	Suction Temp.	APD FV	Total Capacity	Sensible Capacity	Leaving Air Temp.		
					DB °F	WB °F	
900	35 °F	0.36	322	65,850	36,100	46.3	44.9
	40 °F			59,600	33,090	49.5	48.0
	45 °F			53,040	30,220	52.6	41.0
	50 °F			43,500	26,450	56.6	55.1
1200	35 °F	0.57	429	79,300	43,830	49.7	48.0
	40 °F			70,360	39,850	53.0	51.1
	45 °F			62,400	36,590	55.6	53.7
	50 °F			52,680	32,910	58.5	56.7
1500	35 °F	0.83	536	81,110	46,600	55.0	52.9
	40 °F			69,900	42,190	57.9	55.7
	45 °F			60,830	38,850	60.0	57.9
	50 °F						

8 Row DX Coil							
77 °F EDB / 64 °F EWB							
CFM	Suction Temp.	APD FV	Total Capacity	Sensible Capacity	Leaving Air Temp.		
					DB °F	WB °F	
900	35 °F	0.48	322	55,760	35,140	39.9	39.0
	40 °F			48,430	31,060	44.2	43.0
	45 °F			39,290	26,700	48.8	48.0
	50 °F			28,970	22,370	53.4	52.0
1200	35 °F	0.76	429	67,260	42,730	43.1	42.0
	40 °F			59,100	38,540	46.5	45.0
	45 °F			49,050	33,930	50.1	49.0
	50 °F			35,510	28,390	54.5	53.0
1500	35 °F	1.10	536	78,560	50,350	45.1	44.0
	40 °F			67,310	44,860	48.6	47.0
	45 °F			57,840	40,660	51.2	50.0
	50 °F			41,310	34,010	55.4	54.0

8 Row DX Coil							
80 °F EDB / 67 °F EWB							
CFM	Suction Temp.	APD FV	Total Capacity	Sensible Capacity	Leaving Air Temp.		
					DB °F	WB °F	
900	35 °F	0.48	322	62,730	36,760	40.9	40.0
	40 °F			55,650	32,950	45.0	44.0
	45 °F			47,140	28,950	49.2	48.0
	50 °F			37,490	24,930	53.5	52.0
1200	35 °F	0.76	429	76,190	44,860	44.3	43.0
	40 °F			76,360	40,490	47.7	46.0
	45 °F			59,620	37,010	50.5	49.0
	50 °F			46,230	31,570	54.8	54.0
1500	35 °F	1.10	536	78,290	47,710	49.6	48.0
	40 °F			66,410	42,620	52.8	51.0
	45 °F			53,910	37,710	56.0	55.0
	50 °F						

8 Row DX Coil							
85 °F EDB / 71 °F EWB							
CFM	Suction Temp.	APD FV	Total Capacity	Sensible Capacity	Leaving Air Temp.		
					DB °F	WB °F	
900	35 °F	0.48	322	72,800	39,850	42.3	41.0
	40 °F			65,310	35,970	46.4	45.0
	45 °F			58,930	33,040	49.6	48.0
	50 °F			48,850	28,880	54.0	53.0
1200	35 °F	0.76	429	73,480	41,710	51.5	50.0
	40 °F			70,080	40,290	52.6	51.0
	45 °F			60,480	36,520	55.6	54.0
	50 °F						
1500	35 °F	1.10	536	90,230	51,240	52.0	51.0
	40 °F			81,260	47,580	54.4	53.0
	45 °F			67,420	42,340	57.8	56.0
	50 °F						



### (R-22) DX Cooling Capacity RX\*D-048

4 Row DX Coil						
77 °F EDB / 64 °F EWB						
CFM	Suction Temp.	APD FV	Total Capacity	Sensible Capacity	Leaving Air Temp.	
					DB °F	WB °F
1200	35 °F	0.23	66,150	41,960	43.7	42.4
	40 °F		56,250	36,900	47.8	46.1
	45 °F		43,520	31,220	52.3	50.5
	50 °F		30,950	26,250	56.2	54.5
1600	35 °F	0.38	80,890	51,860	46.2	44.4
	40 °F		68,260	45,740	49.8	47.9
	45 °F		54,110	39,620	53.5	51.5
	50 °F		38,610	33,580	57.0	55.2
2000	35 °F	.55	95,550	61,730	47.6	45.7
	40 °F		79,010	53,960	51.3	49.2
	45 °F		63,360	47,360	54.5	52.3
	50 °F		45,460	40,460	57.8	55.7

4 Row DX Coil						
80 °F EDB / 67 °F EWB						
CFM	Suction Temp.	APD FV	Total Capacity	Sensible Capacity	Leaving Air Temp.	
					DB °F	WB °F
1200	35 °F	0.23	75,520	44,380	44.6	43.3
	40 °F		65,530	39,390	48.6	47.0
	45 °F		53,790	34,230	52.7	51.0
	50 °F		40,080	28,870	57.0	55.4
1600	35 °F	0.38	92,240	54,660	47.3	45.7
	40 °F		79,960	48,860	50.8	49
	45 °F		66,760	43,260	54.1	52.3
	50 °F		49,590	36,670	58.1	56.3
2000	35 °F	.55	108,370	64,690	49.1	47.2
	40 °F		94,240	58,220	52.2	50.1
	45 °F		76,230	50,780	55.7	53.7
	50 °F		58,120	43,980	59.0	57.0

4 Row DX Coil						
85 °F EDB / 71 °F EWB						
CFM	Suction Temp.	APD FV	Total Capacity	Sensible Capacity	Leaving Air Temp.	
					DB °F	WB °F
1200	35 °F	0.23	88,340	48,390	46.1	44.7
	40 °F		78,650	43,710	49.8	48.3
	45 °F		68,540	39,350	53.4	51.7
	50 °F		54,660	33,980	57.7	56.1
1600	35 °F	0.38	108,110	59,600	49.1	47.4
	40 °F		96,160	54,170	52.3	50.5
	45 °F		82,600	48,600	55.7	53.9
	50 °F		67,710	43,020	59.1	57.3
2000	35 °F	.55	124,710	69,420	51.5	49.6
	40 °F		112,790	64,240	54.0	52.0
	45 °F		97,380	58,070	57.0	55.0
	50 °F		79,000	51,300	60.2	58.3

6 Row DX Coil						
77 °F EDB / 64 °F EWB						
CFM	Suction Temp.	APD FV	Total Capacity	Sensible Capacity	Leaving Air Temp.	
					DB °F	WB °F
1200	35 °F	0.35	74,450	46,920	39.8	39.1
	40 °F		59,780	39,110	46.0	44.8
	45 °F		47,410	33,530	50.4	49.2
	50 °F		36,650	29,180	53.9	52.8
1600	35 °F	0.57	95,200	60,150	41.2	40.3
	40 °F		81,330	52,820	45.6	44.3
	45 °F		63,710	44,770	50.4	49.1
	50 °F		48,500	38,590	54.1	52.8
2000	35 °F	0.83	112,010	71,240	43.1	41.9
	40 °F		95,500	62,910	47.1	45.7
	45 °F		76,760	54,550	51.1	49.7
	50 °F		55,190	45,940	55.2	53.9

6 Row DX Coil						
80 °F EDB / 67 °F EWB						
CFM	Suction Temp.	APD FV	Total Capacity	Sensible Capacity	Leaving Air Temp.	
					DB °F	WB °F
1200	35 °F	0.35	86,610	50,760	39.6	38.9
	40 °F		73,270	43,520	45.3	44.1
	45 °F		58,090	36,640	50.8	49.6
	50 °F		44,960	31,420	55	53.9
1600	35 °F	0.57	108,340	63,540	42.0	41.0
	40 °F		97,490	57,840	45.4	44.2
	45 °F		78,220	49,040	50.7	49.4
	50 °F		58,600	41,220	55.4	54.2
2000	35 °F	0.83	127,700	75,200	44.0	42.9
	40 °F		111,470	67,210	47.9	46.5
	45 °F		94,190	59,620	51.5	50.1
	50 °F		70,210	50,180	56.0	54.8

6 Row DX Coil						
85 °F EDB / 71 °F EWB						
CFM	Suction Temp.	APD FV	Total Capacity	Sensible Capacity	Leaving Air Temp.	
					DB °F	WB °F
1200	35 °F	0.35	101,340	55,520	40.4	39.6
	40 °F		90,500	49,680	45.0	43.9
	45 °F		75,920	42,990	50.4	49.2
	50 °F		60,300	36,770	55.4	54.4
1600	35 °F	0.57	126,940	69,450	43.1	42.1
	40 °F		113,260	62,590	47.3	46.0
	45 °F		99,230	56,350	51.0	49.7
	50 °F		58,810	41,200	60.1	59.2
2000	35 °F	0.83	149,370	81,940	45.5	44.2
	40 °F		133,720	74,510	49.0	47.7
	45 °F		115,370	66,690	52.8	51.5
	50 °F		71,010	50,440	60.7	59.6

8 Row DX Coil						
77 °F EDB / 64 °F EWB						
CFM	Suction Temp.	APD FV	Total Capacity	Sensible Capacity	Leaving Air Temp.	
					DB °F	WB °F
1200	35 °F	0.46	78,450	49,400	37.9	37.4
	40 °F		66,280	42,470	43.3	42.3
	45 °F		50,840	35,170	49.1	48.0
	50 °F		38,210	29,970	53.2	52.3
1600	35 °F	0.75	102,420	64,500	38.7	38.1
	40 °F		88,040	56,420	43.5	42.4
	45 °F		70,590	48,080	48.4	47.3
	50 °F		49,150	39,210	53.7	52.7
2000	35 °F	1.11	122,040	77,040	40.4	39.6
	40 °F		105,240	68,030	44.7	43.5
	45 °F		84,320	58,300	49.3	48.1
	50 °F		62,220	49,230	53.6	52.5

8 Row DX Coil						
80 °F EDB / 67 °F EWB						
CFM	Suction Temp.	APD FV	Total Capacity	Sensible Capacity	Leaving Air Temp.	
					DB °F	WB °F
1200	35 °F	0.46	89,250	52,350	38.3	37.8
	40 °F		80,310	47,210	42.4	41.4
	45 °F		63,640	39,170	48.8	47.7
	50 °F		36,480	28,510	57.3	56.5
1600	35 °F	0.75	46,840	68,480	39.1	38.4
	40 °F		102,260	60,410	43.9	42.8
	45 °F		85,240	52,350	48.7	47.6
	50 °F		48,040	37,730	57.5	56.6
2000	35 °F	1.11	138,100	80,970	41.3	40.4
	40 °F		121,730	72,420	45.4	44.2
	45 °F		102,850	48,300	49.5	48.3
	50 °F		79,340	54,190	54.1	53.1

8 Row DX Coil						
85 °F EDB / 71 °F EWB						
CFM	Suction Temp.	APD FV	Total Capacity	Sensible Capacity	Leaving Air Temp.	
					DB °F	WB °F
1200	35 °F	0.46	104,620	57,410	38.8	38.2
	40 °F		94,010	51,500	43.6	42.5
	45 °F		83,160	46,280	47.8	46.7
	50 °F		65,790	39,030	53.6	52.6
1600	35 °F	0.75	135,290	74,080	40.3	39.5
	40 °F		121,970	66,940	44.6	43.5
	45 °F		97,730	55,990	51.2	50.1
	50 °F		84,280	50,670	54.4	53.5
2000	35 °F	1.11	160,890	88,030	42.5	41.6
	40 °F		145,000	80,020	46.4	45.2
	45 °F		126,770	71,850	50.3	49.2
	50 °F		166,720	63,780	54.2	53.2

### (R-22) DX Cooling Capacity RX\*D-060

4 Row DX Coil						
77 °F EDB / 64 °F EWB						
CFM	Suction Temp.	APD FV	Total Capacity	Sensible Capacity	Leaving Air Temp.	
					DB °F	WB °F
1500	35 °F	0.26	81,130	51,570	44.3	42.8
	40 °F		68,680	45,280	48.3	46.5
	45 °F		53,120	38,410	52.6	50.9
	50 °F		37,790	32,390	56.5	54.8
2000	35 °F	0.42	98,960	63,650	46.7	44.9
	40 °F		83,300	56,140	50.3	48.3
	45 °F		65,820	48,660	53.9	51.8
	50 °F		46,840	41,310	57.4	55.4
2500	35 °F	0.62	116,370	75,530	48.3	46.2
	40 °F		96,080	66,110	51.9	49.6
	45 °F		76,890	58,090	54.9	52.7
	50 °F		55,300	49,820	58.1	55.9

4 Row DX Coil						
80 °F EDB / 67 °F EWB						
CFM	Suction Temp.	APD FV	Total Capacity	Sensible Capacity	Leaving Air Temp.	
					DB °F	WB °F
1500	35 °F	0.26	92,630	54,510	45.2	43.8
	40 °F		80,250	48,410	49.1	47.5
	45 °F		65,760	42,111	53.2	51.4
	50 °F		47,890	35,190	57.6	55.9
2000	35 °F	0.42	112,950	67,090	47.9	46.2
	40 °F		99,140	60,620	51.0	49.1
	45 °F		81,330	53,100	54.6	52.7
	50 °F		59,230	44,700	58.6	56.8
2500	35 °F	0.62	132,430	79,300	49.7	47.7
	40 °F		114,540	71,390	52.7	50.6
	45 °F		92,690	62,290	56.2	54.0
	50 °F		69,220	53,550	59.5	57.5

4 Row DX Coil						
85 °F EDB / 71 °F EWB						
CFM	Suction Temp.	APD FV	Total Capacity	Sensible Capacity	Leaving Air Temp.	
					DB °F	WB °F
1500	35 °F	0.26	108,820	59,660	46.6	45.2
	40 °F		96,590	53,820	50.4	48.8
	45 °F		84,000	48,440	53.8	52.2
	50 °F		66,760	41,810	58.1	56.5
2000	35 °F	0.42	132,520	73,190	49.7	48.0
	40 °F		117,660	66,540	52.9	51.0
	45 °F		82,030	52,710	59.6	57.7
	50 °F		82,390	52,830	59.5	57.7
2500	35 °F	0.62	152,440	85,120	52.1	50.2
	40 °F		137,770	78,820	54.6	52.5
	45 °F		118,460	71,170	57.5	55.5
	50 °F		95,900	62,930	60.7	58.7

6 Row DX Coil						
77 °F EDB / 64 °F EWB						
CFM	Suction Temp.	APD FV	Total Capacity	Sensible Capacity	Leaving Air Temp.	
					DB °F	WB °F
1500	35 °F	0.39	93,760	59,070	39.6	38.8
	40 °F		76,660	49,810	45.4	44.2
	45 °F		60,420	42,380	50.1	48.9
	50 °F		47,490	37,090	53.5	52.3
2000	35 °F	0.64	116,910	73,990	41.8	40.8
	40 °F		102,490	66,400	45.4	44.1
	45 °F		79,330	55,780	50.5	49.1
	50 °F		65,320	50,020	53.2	51.9
2500	35 °F	0.93	137,190	87,490	43.7	42.5
	40 °F		116,770	77,340	47.6	46.1
	45 °F		95,060	67,730	51.2	49.8
	50 °F		68,400	57,200	55.3	54.0

6 Row DX Coil						
80 °F EDB / 67 °F EWB						
CFM	Suction Temp.	APD FV	Total Capacity	Sensible Capacity	Leaving Air Temp.	
					DB °F	WB °F
1500	35 °F	0.39	106,660	62,490	40.2	39.4
	40 °F		92,290	54,730	45.1	43.9
	45 °F		74,190	46,440	50.4	49.2
	50 °F		56,640	39,410	54.9	53.8
2000	35 °F	0.64	133,150	78,160	42.6	41.6
	40 °F		116,140	69,500	46.8	45.5
	45 °F		97,410	61,090	50.8	49.5
	50 °F		72,830	51,310	55.5	54.3
2500	35 °F	0.93	158,610	93,440	44.3	43.0
	40 °F		136,290	82,550	48.4	47.0
	45 °F		88,230	62,820	56.0	54.7
	50 °F		86,880	62,310	56.2	54.9

6 Row DX Coil						
85 °F EDB / 71 °F EWB						
CFM	Suction Temp.	APD FV	Total Capacity	Sensible Capacity	Leaving Air Temp.	
					DB °F	WB °F
1500	35 °F	0.39	124,760	68,300	41.1	40.2
	40 °F		111,460	61,260	45.6	44.4
	45 °F		95,620	54,020	50.2	49.0
	50 °F		76,380	46,310	55.2	54.1
2000	35 °F	0.64	154,990	84,850	44.1	42.9
	40 °F		138,570	76,810	47.9	46.7
	45 °F		120,540	68,930	51.7	50.5
	50 °F		73,810	61,540	60.1	59.2
2500	35 °F	0.93	182,380	100,240	46.3	45.0
	40 °F		165,370	92,290	49.4	48.0
	45 °F		141,320	82,130	53.3	52.0
	50 °F		88,740	62,940	60.7	59.6

8 Row DX Coil						
77 °F EDB / 64 °F EWB						
CFM	Suction Temp.	APD FV	Total Capacity	Sensible Capacity	Leaving Air Temp.	
					DB °F	WB °F
1500	35 °F	0.52	99,770	62,840	37.2	37.0
	40 °F		80,580	51,920	44.1	43.0
	45 °F		64,570	44,400	48.9	48.0
	50 °F		47,160	37,220	53.4	52.0
2000	35 °F	0.85	127,270	80,160	38.9	38.0
	40 °F		104,480	67,700	44.8	44.0
	45 °F		80,770	56,820	50.0	49.0
	50 °F		61,250	48,910	53.7	53.0
2500	35 °F	1.25	151,610	95,750	40.6	40.0
	40 °F		130,060	84,280	44.9	44.0
	45 °F		103,870	72,170	49.5	48.0
	50 °F		75,890	60,760	53.9	53.0

8 Row DX Coil						
80 °F EDB / 67 °F EWB						
CFM	Suction Temp.	APD FV	Total Capacity	Sensible Capacity	Leaving Air Temp.	
					DB °F	WB °F
1500	35 °F	0.52	112,710	66,150	37.8	37.0
	40 °F		98,060	57,780	43.2	42.0
	45 °F		80,710	49,460	48.5	47.0
	50 °F		60,690	41,200	53.7	53.0
2000	35 °F	0.85	144,770	84,830	39.4	39.0
	40 °F		127,240	75,200	44.0	43.0
	45 °F		100,420	62,760	50.0	49.0
	50 °F		56,680	45,950	58.0	57.0
2500	35 °F	1.25	173,650	101,790	41.1	40.0
	40 °F		150,880	89,880	45.6	45.0
	45 °F		127,150	79,050	49.8	49.0
	50 °F		69,580	56,880	58.2	57.0

8 Row DX Coil						
85 °F EDB / 71 °F EWB						
CFM	Suction Temp.	APD FV	Total Capacity	Sensible Capacity	Leaving Air Temp.	
					DB °F	WB °F
1500	35 °F	0.52	131,460	72,200	38.6	38.0
	40 °F		118,040	64,650	43.4	42.0
	45 °F		101,550	56,770	48.5	47.0
	50 °F		82,740	48,980	53.5	53.0
2000	35 °F	0.85	168,510	92,260	40.5	40.0
	40 °F		154,670	84,780	44.1	43.0
	45 °F		128,030	72,430	50.0	49.0
	50 °F		104,170	62,870	54.7	54.0
2500	35 °F	1.25	200,580	109,740	42.6	42.0
	40 °F		180,680	99,730	46.5	45.0
	45 °F		157,160	89,240	50.6	49.0
	50 °F		130,430	78,560	54.7	54.0

### (R-22) DX Cooling Capacity RX\*D-090

4 Row DX Coil						
77 °F EDB / 64 °F EWB						
CFM	Suction Temp.	APD FV	Total Capacity	Sensible Capacity	Leaving Air Temp.	
					DB °F	WB °F
2250	35 °F	0.38	116429	75062	46.3	45.3
	40 °F		95179	65083	50.3	49.3
	45 °F		73564	55705	54.2	53.1
	50 °F		53602	47671	57.5	56.3
3000	35 °F	0.57	139731	91918	48.8	47.6
	40 °F		115032	80644	52.2	50.9
	45 °F		88941	69559	55.6	54.2
	50 °F		65125	60117	58.5	57.0
3750	35 °F	0.79	159741	107079	50.7	49.2
	40 °F		131856	94630	53.7	52.1
	45 °F		101981	82151	56.8	55.1
	50 °F		75444	71752	59.4	57.6

4 Row DX Coil						
80 °F EDB / 67 °F EWB						
CFM	Suction Temp.	APD FV	Total Capacity	Sensible Capacity	Leaving Air Temp.	
					DB °F	WB °F
2250	35 °F	0.38	133333	79645	47.4	46.5
	40 °F		113109	70829	51.2	50.3
	45 °F		90921	60794	55.1	54.0
	50 °F		68385	51895	58.7	57.6
3000	35 °F	0.57	160792	97752	50.0	48.9
	40 °F		136785	86792	53.3	52.1
	45 °F		109787	75527	56.8	55.4
	50 °F		82406	64926	60.1	58.6
3750	35 °F	0.79	182614	112799	52.3	50.9
	40 °F		155408	100930	55.2	53.6
	45 °F		125782	88839	58.2	56.5
	50 °F		94483	79909	61.1	59.4

4 Row DX Coil						
85 °F EDB / 71 °F EWB						
CFM	Suction Temp.	APD FV	Total Capacity	Sensible Capacity	Leaving Air Temp.	
					DB °F	WB °F
2250	35 °F	0.38	158429	88143	48.9	48.1
	40 °F		138821	79258	52.5	51.6
	45 °F		116703	69971	56.3	55.3
	50 °F		93353	60996	60.0	58.9
3000	35 °F	0.57	189720	107063	52.1	51.0
	40 °F		166402	96920	58.4	54.0
	45 °F		141027	86625	61.7	60.2
	50 °F		112758	75954	64.6	58.6
3750	35 °F	0.79	216100	123793	57.2	55.7
	40 °F		190291	112929	60.0	58.4
	45 °F		161482	101530	63.0	61.2
	50 °F		129089	98552	66.0	64.0

6 Row DX Coil						
77 °F EDB / 64 °F EWB						
CFM	Suction Temp.	APD FV	Total Capacity	Sensible Capacity	Leaving Air Temp.	
					DB °F	WB °F
2250	35 °F	0.57	137420	86593	41.5	41.1
	40 °F		112789	74486	46.5	46.0
	45 °F		87851	63245	51.1	50.6
	50 °F		63536	53177	55.2	54.7
3000	35 °F	0.86	170736	108873	43.6	43.1
	40 °F		139846	94069	48.1	47.5
	45 °F		108752	80345	52.3	51.7
	50 °F		79475	68399	56.0	55.4
3750	35 °F	1.18	198113	128105	45.5	44.9
	40 °F		163560	112018	49.5	48.8
	45 °F		127178	96238	53.3	52.6
	50 °F		92824	82402	57.7	56.0

6 Row DX Coil						
80 °F EDB / 67 °F EWB						
CFM	Suction Temp.	APD FV	Total Capacity	Sensible Capacity	Leaving Air Temp.	
					DB °F	WB °F
2250	35 °F	0.57	167,130	98,020	38.3	37.8
	40 °F		148,450	87,390	42.9	41.9
	45 °F		124,960	75,950	47.7	46.6
	50 °F		72,860	55,050	56.6	55.8
3000	35 °F	0.86	211,160	123,740	40.6	39.7
	40 °F		188,260	111,490	44.5	43.4
	45 °F		158,220	97,430	48.9	47.8
	50 °F		94,060	72,140	57.0	56.2
3750	35 °F	1.18	251,600	147,760	42.3	41.3
	40 °F		219,860	131,700	46.4	45.2
	45 °F		188,560	117,620	50.0	48.8
	50 °F		148,690	101,480	54.1	53.1

6 Row DX Coil						
85 °F EDB / 71 °F EWB						
CFM	Suction Temp.	APD FV	Total Capacity	Sensible Capacity	Leaving Air Temp.	
					DB °F	WB °F
2250	35 °F	0.57	193,760	106,210	39.4	38.8
	40 °F		176,190	96,530	43.6	42.6
	45 °F		153,700	85,780	48.2	47.1
	50 °F		104,650	66,210	56.6	55.8
3000	35 °F	0.86	246,600	134,910	41.6	40.7
	40 °F		215,990	119,360	46.6	45.5
	45 °F		195,270	110,040	49.6	48.5
	50 °F		162,810	96,820	53.9	52.9
3750	35 °F	1.18	290,140	158,990	44.1	43.0
	40 °F		262,280	145,500	47.6	46.4
	45 °F		227,650	130,460	51.4	50.3
	50 °F		197,490	118,510	54.5	53.5

8 Row DX Coil						
77 °F EDB / 64 °F EWB						
CFM	Suction Temp.	APD FV	Total Capacity	Sensible Capacity	Leaving Air Temp.	
					DB °F	WB °F
2250	35 °F	0.76	151170	95230	36.8	38.5
	40 °F		129040	82190	42.3	41.3
	45 °F		104170	69970	47.4	46.3
	50 °F		77170	58490	52.3	51.3
3000	35 °F	1.15	191120	120400	38.8	38.8
	40 °F		171880	109480	42.3	41.3
	45 °F		121530	85620	49.9	48.8
	50 °F		103070	78020	52.3	51.3
3750	35 °F	1.57	232690	146790	39.8	39.0
	40 °F		200490	129370	44.2	43.1
	45 °F		166690	113410	48.2	47.7
	50 °F		103250	87550	54.8	53.9

8 Row DX Coil						
80 °F EDB / 67 °F EWB						
CFM	Suction Temp.	APD FV	Total Capacity	Sensible Capacity	Leaving Air Temp.	
					DB °F	WB °F
2250	35 °F	0.76	168,800	99,030	37.9	37.4
	40 °F		150,750	88,640	42.3	41.4
	45 °F		126,000	76,500	47.5	46.4
	50 °F		99,870	65,380	52.2	51.2
3000	35 °F	1.15	212,280	124,400	40.3	39.6
	40 °F		191,600	113,280	43.9	42.9
	45 °F		151,370	94,660	49.8	48.8
	50 °F		132,860	87,030	52.3	51.3
3750	35 °F	1.57	262,310	153,770	40.8	40.0
	40 °F		226,190	135,000	45.6	44.5
	45 °F		201,490	123,600	48.5	47.4
	50 °F		158,860	105,860	53.0	52.0

8 Row DX Coil						
85 °F EDB / 71 °F EWB						
CFM	Suction Temp.	APD FV	Total Capacity	Sensible Capacity	Leaving Air Temp.	
					DB °F	WB °F
2250	35 °F	0.76	194,590	106,670	39.2	38.6
	40 °F		176,810	96,860	43.5	42.4
	45 °F		156,810	87,240	47.6	46.5
	50 °F		130,960	76,270	52.6	51.3
3000	35 °F	1.15	252,160	138,000	40.6	39.8
	40 °F		223,300	122,950	45.4	44.4
	45 °F		201,470	112,900	48.7	47.6
	50 °F		173,960	101,400	52.4	51.4
3750	35 °F	1.57	276,030	152,170	45.8	44.7
	40 °F		237,830	135,050	50.2	49.2
	45 °F		210,130	123,800	53.1	52.2
	50 °F		161,480	101,530	63.0	61.2

### (R-22) DX Cooling Capacity RX\*D-120

4 Row DX Coil						
77 °F EDB / 64 °F EWB						
CFM	Suction Temp.	APD FV	Total Capacity	Sensible Capacity	Leaving Air Temp.	
					DB °F	WB °F
3000	35 °F	0.41	178,140	112,550	41.3	40.3
	40 °F		151,980	98,720	45.7	44.4
	45 °F		85,920	70,320	54.7	53.5
	50 °F					
4000	35 °F	0.62	216,420	138,180	44.2	42.8
	40 °F		150,280	107,280	51.5	50.0
	45 °F		108,840	90,790	55.4	54.0
	50 °F					
5000	35 °F	0.84	251,750	162,530	46.1	44.5
	40 °F		177,640	128,950	52.5	50.8
	45 °F		129,500	110,020	56.1	54.5
	50 °F					

4 Row DX Coil						
80 °F EDB / 67 °F EWB						
CFM	Suction Temp.	APD FV	Total Capacity	Sensible Capacity	Leaving Air Temp.	
					DB °F	WB °F
3000	35 °F	0.41	200,780	117,810	42.5	41.4
	40 °F		179,050	106,570	46.0	44.8
	45 °F		146,300	91,700	50.8	49.5
	50 °F		110,410	77,380	55.3	54.1
4000	35 °F	0.62	246,420	145,560	45.2	43.9
	40 °F		214,760	130,340	48.8	47.4
	45 °F		139,220	99,430	56.2	54.9
	50 °F		137,840	98,920	56.4	55.0
5000	35 °F	0.84	283,050	169,130	47.7	46.1
	40 °F		244,750	151,710	51.0	49.4
	45 °F		164,330	119,740	57.1	55.0
	50 °F		161,620	118,750	57.3	55.8

4 Row DX Coil						
85 °F EDB / 71 °F EWB						
CFM	Suction Temp.	APD FV	Total Capacity	Sensible Capacity	Leaving Air Temp.	
					DB °F	WB °F
3000	35 °F	0.41	232,080	127,060	44.1	43.0
	40 °F		209,010	115,730	47.8	46.5
	45 °F		184,230	104,810	51.3	50.0
	50 °F		110,500	77,220	60.2	59.2
4000	35 °F	0.62	284,900	156,900	47.1	45.8
	40 °F		252,830	142,260	50.7	49.3
	45 °F		221,470	129,260	53.8	52.4
	50 °F		138,400	99,130	61.1	59.9
5000	35 °F	0.84	325,770	181,520	50.0	48.4
	40 °F		294,060	167,810	52.6	51.1
	45 °F		254,320	151,940	55.7	54.2
	50 °F		217,210	138,180	58.3	56.9

6 Row DX Coil						
77 °F EDB / 64 °F EWB						
CFM	Suction Temp.	APD FV	Total Capacity	Sensible Capacity	Leaving Air Temp.	
					DB °F	WB °F
3000	35 °F	0.62	195,360	123,000	38.0	37.5
	40 °F		169,960	108,400	42.6	41.6
	45 °F		136,730	92,190	47.8	46.6
	50 °F					
4000	35 °F	0.92	246,080	155,270	40.1	39.3
	40 °F		215,870	138,840	44.0	42.9
	45 °F		171,920	118,110	48.9	47.7
	50 °F		128,200	100,000	53.2	52.2
5000	35 °F	1.27	293,070	185,730	41.7	40.7
	40 °F		259,160	167,890	45.1	43.9
	45 °F		209,250	144,880	49.4	48.2
	50 °F		155,980	123,010	53.6	52.5

6 Row DX Coil						
80 °F EDB / 67 °F EWB						
CFM	Suction Temp.	APD FV	Total Capacity	Sensible Capacity	Leaving Air Temp.	
					DB °F	WB °F
3000	35 °F	0.62	221,570	129,910	38.6	38
	40 °F		198,870	117,010	42.7	41.7
	45 °F		165,670	100,830	47.9	46.7
	50 °F		97,650	73,560	56.6	55.7
4000	35 °F	0.92	280,190	164,210	40.7	39.9
	40 °F		245,970	146,130	45.1	43.9
	45 °F		205,880	127,660	49.5	48.3
	50 °F		125,640	96,220	57.0	56.1
5000	35 °F	1.27	329,190	193,630	43.0	41.9
	40 °F		287,710	172,990	46.9	45.7
	45 °F		246,210	154,550	50.4	49.3
	50 °F		196,870	134,690	54.2	53.2

6 Row DX Coil						
85 °F EDB / 71 °F EWB						
CFM	Suction Temp.	APD FV	Total Capacity	Sensible Capacity	Leaving Air Temp.	
					DB °F	WB °F
3000	35 °F	0.62	254,960	139,630	40.1	39.3
	40 °F		231,860	127,140	44.1	43.0
	45 °F		205,800	114,750	48.1	47.0
	50 °F		139,620	88,290	56.6	55.8
4000	35 °F	0.92	323,810	177,150	42.3	41.3
	40 °F		287,890	159,080	46.6	45.5
	45 °F		255,380	144,550	50.1	49.0
	50 °F		216,670	128,290	53.9	52.9
5000	35 °F	1.27				
	40 °F		343,440	191,100	48.1	46.9
	45 °F		296,740	171,090	52.0	50.8
	50 °F		252,880	153,990	55.3	54.3

8 Row DX Coil						
77 °F EDB / 64 °F EWB						
CFM	Suction Temp.	APD FV	Total Capacity	Sensible Capacity	Leaving Air Temp.	
					DB °F	WB °F
3000	35 °F	0.82	201,850	127,160	36.7	36.4
	40 °F		172,330	109,730	42.2	41.3
	45 °F		120,490	85,420	49.9	48.9
	50 °F		82,670	70,150	54.8	53.9
4000	35 °F	1.24	256,840	161,760	38.5	38.0
	40 °F		230,310	146,570	42.2	41.2
	45 °F		185,280	124,380	47.4	46.3
	50 °F		137,920	104,210	52.2	51.2
5000	35 °F	1.67	309,370	195,200	39.9	39.1
	40 °F		268,700	173,180	44.1	43
	45 °F		222,700	151,380	48.2	47.1
	50 °F		162,850	126,380	53.0	52.0

8 Row DX Coil						
80 °F EDB / 67 °F EWB						
CFM	Suction Temp.	APD FV	Total Capacity	Sensible Capacity	Leaving Air Temp.	
					DB °F	WB °F
3000	35 °F	0.82	224,740	131,840	38.0	37.5
	40 °F		200,700	118,020	42.4	41.4
	45 °F		168,010	102,000	47.5	46.4
	50 °F		128,220	85,210	52.8	51.9
4000	35 °F	1.24	286,650	167,950	39.9	39.1
	40 °F		256,730	151,680	43.7	42.7
	45 °F		223,540	135,740	47.6	46.4
	50 °F		176,280	115,670	52.3	51.3
5000	35 °F	1.67	350,600	205,500	40.7	39.9
	40 °F		304,130	181,200	45.3	44.2
	45 °F		268,150	164,550	48.5	47.4
	50 °F		208,670	139,890	53.2	52.3

8 Row DX Coil						
85 °F EDB / 71 °F EWB						
CFM	Suction Temp.	APD FV	Total Capacity	Sensible Capacity	Leaving Air Temp.	
					DB °F	WB °F
3000	35 °F	0.82	261,570	143,500	38.8	38.2
	40 °F		238,880	130,780	42.9	41.9
	45 °F		210,090	116,770	47.4	46.3
	50 °F		174,010	101,440	52.4	51.4
4000	35 °F	1.24	337,250	184,600	40.5	39.7
	40 °F		301,040	165,530	45.1	44.0
	45 °F		269,580	150,940	48.6	47.5
	50 °F		232,620	135,460	52.3	51.3
5000	35 °F	1.67	392,880	215,210	43.5	42.4
	40 °F		369,410	203,540	45.7	44.6
	45 °F		320,260	181,380	50.0	48.9
	50 °F		274,960	163,020	53.5	52.6

### (R-22) DX Cooling Capacity RX\*D-180

4 Row DX Coil						
77 °F EDB / 64 °F EWB						
CFM	Suction Temp.	APD FV	Total Capacity	Sensible Capacity	Leaving Air Temp.	
					DB °F	WB °F
5000	35 °F	0.52	276,420	176,070	43.5	42.3
	40 °F		240,310	157,880	47.0	45.6
	45 °F		150,290	119,390	54.3	52.9
	50 °F		144,260	117,070	54.7	53.4
6000	35 °F	0.67	316,170	202,710	44.9	43.5
	40 °F		269,390	179,950	48.5	46.9
	45 °F		173,350	139,730	54.9	53.4
	50 °F		122,420	120,860	57.8	56.5
7000	35 °F	0.83	342,550	225,130	46.4	44.9
	40 °F		293,410	199,730	49.9	48.2
	45 °F		194,780	159,180	55.4	53.8
	50 °F		188,800	156,910	55.7	54.1

4 Row DX Coil						
80 °F EDB / 67 °F EWB						
CFM	Suction Temp.	APD FV	Total Capacity	Sensible Capacity	Leaving Air Temp.	
					DB °F	WB °F
5000	35 °F	0.52	315,610	186,030	44.4	43.2
	40 °F		275,920	166,630	48.1	46.7
	45 °F		199,440	131,290	54.9	53.6
	50 °F		134,030	110,360	58.9	57.8
6000	35 °F	0.67	355,030	210,890	46.4	45.0
	40 °F		306,670	188,370	50.0	48.5
	45 °F		220,320	153,170	55.6	54.2
	50 °F		155,420	129,690	59.3	58.1
7000	35 °F	0.83	380,230	229,250	48.7	47.1
	40 °F		344,480	213,230	50.9	49.3
	45 °F		289,090	190,240	54.0	52.4
	50 °F		175,320	148,230	59.8	58.4

4 Row DX Coil						
85 °F EDB / 71 °F EWB						
CFM	Suction Temp.	APD FV	Total Capacity	Sensible Capacity	Leaving Air Temp.	
					DB °F	WB °F
5000	35 °F	0.52	361,270	198,790	46.6	45.3
	40 °F		328,110	183,410	49.6	48.2
	45 °F		285,440	165,390	53.1	51.7
	50 °F		244,030	149,360	56.2	54.9
6000	35 °F	0.67	394,080	219,750	49.7	48.2
	40 °F		369,190	208,870	51.4	49.9
	45 °F		318,080	188,080	54.7	53.3
	50 °F		268,770	169,600	57.7	56.4
7000	35 °F	0.83	404,100	231,830	53.0	51.5
	40 °F		354,980	212,350	55.7	54.2
	45 °F		293,600	189,770	58.8	57.4
	50 °F		244,030	169,600	57.7	56.4

6 Row DX Coil						
77 °F EDB / 64 °F EWB						
CFM	Suction Temp.	APD FV	Total Capacity	Sensible Capacity	Leaving Air Temp.	
					DB °F	WB °F
5000	35 °F	0.78	320,050	201,550	38.7	38.1
	40 °F		270,760	174,090	43.9	42.8
	45 °F		221,010	150,450	48.4	47.2
	50 °F		160,040	125,050	53.2	52.2
6000	35 °F	1.01	363,680	229,730	40.6	39.7
	40 °F		318,450	205,490	44.4	43.3
	45 °F		259,120	177,620	48.8	47.7
	50 °F		191,770	149,700	53.3	52.2
7000	35 °F	1.25	412,200	261,080	41.5	40.6
	40 °F		364,890	236,210	44.9	43.7
	45 °F		293,630	203,150	49.4	48.2
	50 °F		218,990	172,470	53.6	52.5

6 Row DX Coil						
80 °F EDB / 67 °F EWB						
CFM	Suction Temp.	APD FV	Total Capacity	Sensible Capacity	Leaving Air Temp.	
					DB °F	WB °F
5000	35 °F	0.78	359,200	210,460	39.8	39.0
	40 °F		318,750	188,370	44.0	42.9
	45 °F		260,120	160,870	49.2	48.1
	50 °F		160,600	121,680	56.7	55.9
6000	35 °F	1.01	414,920	243,270	41.2	40.3
	40 °F		342,260	206,380	47.1	45.9
	45 °F		313,020	193,240	49.2	48.0
	50 °F		187,650	143,940	57.1	56.2
7000	35 °F	1.25	464,510	273,020	42.7	41.7
	40 °F		404,380	242,940	46.8	45.6
	45 °F		347,550	217,590	50.3	49.1
	50 °F		276,410	188,890	54.2	53.1

6 Row DX Coil						
85 °F EDB / 71 °F EWB						
CFM	Suction Temp.	APD FV	Total Capacity	Sensible Capacity	Leaving Air Temp.	
					DB °F	WB °F
5000	35 °F	0.78	411,840	225,310	41.5	40.6
	40 °F		376,380	206,840	45.1	44.0
	45 °F		304,220	174,510	51.3	50.2
	50 °F		273,630	162,310	53.7	52.7
6000	35 °F	1.01	464,580	254,610	44.0	43.0
	40 °F		425,140	235,440	47.1	46.0
	45 °F		389,360	219,460	49.7	48.5
	50 °F		322,890	192,430	54.0	53.0
7000	35 °F	1.25	483,180	268,630	48.0	46.8
	40 °F		418,340	240,730	51.8	50.7
	45 °F		356,530	216,540	55.1	54.1
	50 °F		322,890	192,430	54.0	53.0

8 Row DX Coil						
77 °F EDB / 64 °F EWB						
CFM	Suction Temp.	APD FV	Total Capacity	Sensible Capacity	Leaving Air Temp.	
					DB °F	WB °F
5000	35 °F	1.04	322,090	202,830	38.4	38.0
	40 °F		287,580	183,070	42.2	41.0
	45 °F		230,670	155,080	47.5	46.0
	50 °F		172,120	130,190	52.2	51.0
6000	35 °F	1.34	372,820	235,190	39.7	39.0
	40 °F		327,890	210,640	43.6	43.0
	45 °F		279,230	187,150	47.3	46
	50 °F		206,620	159,190	52.2	51.0
7000	35 °F	1.67	430,820	271,950	40.1	39.0
	40 °F		381,590	245,200	43.7	43.0
	45 °F		317,350	214,440	47.9	47.0
	50 °F		192,310	163,230	54.8	54.0

8 Row DX Coil						
80 °F EDB / 67 °F EWB						
CFM	Suction Temp.	APD FV	Total Capacity	Sensible Capacity	Leaving Air Temp.	
					DB °F	WB °F
5000	35 °F	1.04	363,940	213,260	39.2	39.0
	40 °F		325,440	191,940	43.3	42.0
	45 °F		280,820	170,340	47.4	46.0
	50 °F		186,340	131,480	54.9	54.0
6000	35 °F	1.34	420,700	246,600	40.7	40.0
	40 °F		376,970	223,410	44.4	43.0
	45 °F		337,600	204,640	47.4	46.0
	50 °F		264,650	173,580	52.3	51.0
7000	35 °F	1.67	487,890	206,040	40.9	40.0
	40 °F		434,140	257,790	44.2	44.0
	45 °F		369,240	227,670	48.9	48.0
	50 °F		298,080	198,190	52.9	52.0

8 Row DX Coil						
85 °F EDB / 71 °F EWB						
CFM	Suction Temp.	APD FV	Total Capacity	Sensible Capacity	Leaving Air Temp.	
					DB °F	WB °F
5000	35 °F	1.04	419,940	229,820	40.6	40.0
	40 °F		381,460	209,470	44.6	44.0
	45 °F		350,650	194,830	47.4	46.0
	50 °F		259,080	157,070	54.7	54.0
6000	35 °F	1.34	486,670	266,270	42.2	41.0
	40 °F		451,740	248,370	45.1	44.0
	45 °F		402,270	225,470	48.7	48.0
	50 °F		327,410	194,710	53.7	53.0
7000	35 °F	1.67	510,150	281,610	46.2	45.0
	40 °F		439,670	250,270	50.5	49.0
	45 °F		388,980	229,800	53.3	52.0
	50 °F		327,410	194,710	53.7	53.0

### (R-22) DX Cooling Capacity RX\*D-240

4 Row DX Coil						
77 °F EDB / 64 °F EWB						
CFM	Suction Temp.	APD FV	Total Capacity	Sensible Capacity	Leaving Air Temp.	
					DB °F	WB °F
7000	35 °F	0.56	384,370	244,990	43.7	42.5
	40 °F		329,290	217,470	47.5	46.0
	45 °F		211,480	167,320	54.3	52.9
	50 °F		200,610	163,130	54.8	53.5
8000	35 °F	0.67	419,430	269,170	45.0	43.6
	40 °F		356,990	238,930	48.6	47.0
	45 °F		234,530	187,620	54.7	53.2
	50 °F		221,660	182,680	55.3	53.8
9000	35 °F	0.79	450,270	291,350	46.2	44.7
	40 °F		380,790	258,630	49.7	48.0
	45 °F		256,330	207,240	55.1	53.5
	50 °F		182,290	179,820	58.0	56.5

4 Row DX Coil						
80 °F EDB / 67 °F EWB						
CFM	Suction Temp.	APD FV	Total Capacity	Sensible Capacity	Leaving Air Temp.	
					DB °F	WB °F
7000	35 °F	0.56	428,300	253,400	45.4	44.1
	40 °F		376,020	228,430	48.8	47.4
	45 °F		321,950	205,030	52.0	50.6
	50 °F		189,010	154,740	58.9	57.7
8000	35 °F	0.67	467,190	278,150	46.8	45.3
	40 °F		416,440	254,440	49.6	48.1
	45 °F		297,790	205,750	55.4	54
	50 °F		210,380	174,020	59.2	57.9
9000	35 °F	0.79	493,670	297,180	48.4	46.9
	40 °F		447,390	276,330	50.6	49.1
	45 °F		375,970	246,570	53.8	52.2
	50 °F		230,600	192,700	59.5	58.2

4 Row DX Coil						
85 °F EDB / 71 °F EWB						
CFM	Suction Temp.	APD FV	Total Capacity	Sensible Capacity	Leaving Air Temp.	
					DB °F	WB °F
7000	35 °F	0.56	489,790	270,550	47.7	46.4
	40 °F		450,150	252,560	50.2	48.8
	45 °F		390,090	227,530	53.6	52.3
	50 °F		338,560	207,730	56.4	55.1
8000	35 °F	0.67	489,520	277,340	51.5	50.1
	40 °F		419,940	249,160	54.9	53.5
	45 °F		357,520	225,840	57.8	56.4
	50 °F		357,520	225,840	57.8	56.4
9000	35 °F	0.79	519,550	298,310	53.0	51.5
	40 °F		461,330	275,200	55.5	54.0
	45 °F		381,810	245,830	58.6	57.2
	50 °F		381,810	245,830	58.6	57.2

6 Row DX Coil						
77 °F EDB / 64 °F EWB						
CFM	Suction Temp.	APD FV	Total Capacity	Sensible Capacity	Leaving Air Temp.	
					DB °F	WB °F
7000	35 °F	0.84	446,620	281,280	38.8	38.2
	40 °F		382,750	245,580	43.6	48.6
	45 °F		292,080	202,960	49.4	48.3
	50 °F		223,820	174,920	53.2	52.2
8000	35 °F	1.04	486,580	307,270	40.5	39.6
	40 °F		425,670	274,530	44.4	43.2
	45 °F		343,190	235,820	49.0	47.8
	50 °F		254,670	199,210	53.3	52.3
9000	35 °F	1.19	537,820	340,110	41.1	40.2
	40 °F		461,330	299,920	45.3	44.1
	45 °F		378,150	261,560	49.4	48.2
	50 °F		282,260	222,130	53.5	52.4

6 Row DX Coil						
80 °F EDB / 67 °F EWB						
CFM	Suction Temp.	APD FV	Total Capacity	Sensible Capacity	Leaving Air Temp.	
					DB °F	WB °F
7000	35 °F	0.84	497,510	291,500	40.2	39.4
	40 °F		443,430	262,250	44.2	43.1
	45 °F		368,340	226,990	49.0	47.8
	50 °F		220,630	168,770	56.9	56.1
8000	35 °F	1.04	554,960	325,330	41.1	40.2
	40 °F		497,400	294,890	44.8	43.6
	45 °F		415,860	257,000	49.3	48.1
	50 °F		247,270	190,870	57.2	56.3
9000	35 °F	1.19	604,740	355,110	42.3	41.3
	40 °F		528,340	316,390	46.4	45.2
	45 °F		453,190	282,550	50.0	48.8
	50 °F		356,640	243,450	54.1	53.1

6 Row DX Coil						
85 °F EDB / 71 °F EWB						
CFM	Suction Temp.	APD FV	Total Capacity	Sensible Capacity	Leaving Air Temp.	
					DB °F	WB °F
7000	35 °F	0.84	579,290	316,950	41.3	40.4
	40 °F		519,610	285,980	45.6	44.5
	45 °F		459,720	258,550	49.4	48.2
	50 °F		380,670	226,230	53.8	52.8
8000	35 °F	1.04	641,190	350,840	42.7	41.7
	40 °F		585,290	322,610	46.1	44.9
	45 °F		511,730	289,430	50.1	48.9
	50 °F		429,210	256,070	54.1	53.1
9000	35 °F	1.19	697,300	382,070	44.0	43.0
	40 °F		629,970	349,430	47.5	46.3
	45 °F		547,600	313,590	51.4	50.2
	50 °F		473,590	284,250	54.5	53.5

8 Row DX Coil						
77 °F EDB / 64 °F EWB						
CFM	Suction Temp.	APD FV	Total Capacity	Sensible Capacity	Leaving Air Temp.	
					DB °F	WB °F
7000	35 °F	1.11	452,550	284,970	38.3	38.0
	40 °F		400,660	255,250	42.3	41.0
	45 °F		232,140	217,190	47.5	46.0
	50 °F		194,190	164,110	54.7	54.0
8000	35 °F	1.34	501,510	316,180	39.4	39.0
	40 °F		445,650	285,220	43.1	42.0
	45 °F		371,860	249,320	47.4	46.0
	50 °F		219,130	186,430	54.8	54.0
9000	35 °F	1.59	561,340	354,000	39.6	39.0
	40 °F		490,990	315,470	43.7	43.0
	45 °F		396,260	270,480	48.4	47.0
	50 °F		291,810	227,000	53.0	52.0

8 Row DX Coil						
80 °F EDB / 67 °F EWB						
CFM	Suction Temp.	APD FV	Total Capacity	Sensible Capacity	Leaving Air Temp.	
					DB °F	WB °F
7000	35 °F	1.11	518,450	303,960	38.5	38.0
	40 °F		452,980	267,350	43.5	43.0
	45 °F		392,440	238,130	47.5	46.0
	50 °F		309,090	202,700	52.3	51.0
8000	35 °F	1.34	576,650	337,870	39.6	39.0
	40 °F		506,730	299,930	44.2	43.0
	45 °F		447,870	271,820	47.5	46.0
	50 °F		351,550	230,920	52.4	51.0
9000	35 °F	1.59	633,140	371,080	40.6	40.0
	40 °F		550,720	327,790	45.2	44.0
	45 °F		457,950	285,480	49.7	49.0
	50 °F		377,260	252,500	53.2	52.0

8 Row DX Coil						
85 °F EDB / 71 °F EWB						
CFM	Suction Temp.	APD FV	Total Capacity	Sensible Capacity	Leaving Air Temp.	
					DB °F	WB °F
7000	35 °F	1.11	589,270	321,380	40.7	40.0
	40 °F		532,060	292,260	44.7	44.0
	45 °F		487,580	271,240	47.6	47.0
	50 °F		407,470	237,230	52.3	51.0
8000	35 °F	1.34	661,000	361,620	41.4	41.0
	40 °F		590,260	325,330	45.8	45.0
	45 °F		532,450	298,920	48.9	48.0
	50 °F		461,210	269,280	52.5	52.0
9000	35 °F	1.59	712,300	390,030	43.2	42.0
	40 °F		664,520	366,080	45.7	45.0
	45 °F		578,140	327,220	49.9	49.0
	50 °F		498,970	295,000	53.4	52.0

### (R-410A) Cooling Capacity RX\*D-024

4 Row DX Coil							
85°F EDB / 71°F EWB							
CFM	Suction Temp.	APD FV	Total Capacity	Sensible Capacity	Leaving Air Temp.		
					DB °F	WB °F	
600	35°F	0.19	41,982	23,098	49.6	48.3	
	40°F		36,560	20,477	53.5	51.9	
	45°F		279	30,874	17,982	57.4	55.4
	50°F		24,900	15,580	61.1	58.9	
800	35°F	0.30	51,730	28,526	52.1	50.4	
	40°F		44,989	25,376	55.8	53.7	
	45°F		372	37,828	22,297	59.3	56.9
	50°F		30,668	19,465	62.6	59.9	
1000	35°F	0.43	60,408	33,439	54.2	52.1	
	40°F		52,373	29,756	57.6	55.1	
	45°F		465	43,969	26,203	60.8	58.0
	50°F		35,254	22,811	64.0	50.9	

4 Row DX Coil							
80°F EDB / 67°F EWB							
CFM	Suction Temp.	APD FV	Total Capacity	Sensible Capacity	Leaving Air Temp.		
					DB °F	WB °F	
600	35°F	0.19	35,214	20,697	48.2	46.8	
	40°F		29,888	18,122	52.2	50.4	
	45°F		279	24,435	15,696	55.9	53.9
	50°F		18,462	13,257	59.6	57.5	
800	35°F	0.30	43,382	25,634	50.5	48.7	
	40°F		36,627	22,432	54.2	52.0	
	45°F		372	29,626	19,376	57.7	55.3
	50°F		22,486	16,507	61.0	58.4	
1000	35°F	0.43	50,611	30,068	52.3	50.1	
	40°F		42,702	26,378	55.7	53.2	
	45°F		465	34,383	22,796	59.0	56.2
	50°F		25,999	19,467	62.1	59.1	

4 Row DX Coil							
77°F EDB / 64°F EWB							
CFM	Suction Temp.	APD FV	Total Capacity	Sensible Capacity	Leaving Air Temp.		
					DB °F	WB °F	
600	35°F	0.19	30,562	19,323	47.3	45.7	
	40°F		25,433	16,820	51.2	49.3	
	45°F		279	19,767	14,276	55.1	53.0
	50°F		14,036	11,915	58.7	56.5	
800	35°F	0.30	37,620	23,964	49.4	47.4	
	40°F		30,907	20,749	53.1	50.8	
	45°F		372	24,154	17,765	56.5	54.0
	50°F		17,101	14,893	59.8	57.2	
1000	35°F	0.43	43,915	28,170	51.0	48.7	
	40°F		35,961	24,412	54.5	51.8	
	45°F		465	27,810	20,857	57.8	54.9
	50°F		19,840	17,643	60.7	57.7	

6 Row DX Coil							
85°F EDB / 71°F EWB							
CFM	Suction Temp.	APD FV	Total Capacity	Sensible Capacity	Leaving Air Temp.		
					DB °F	WB °F	
600	35°F	0.28	51,237	28,011	42.0	41.5	
	40°F		44,558	24,639	47.2	46.5	
	45°F		279	38,462	21,819	51.5	50.7
	50°F		31,482	18,865	56.0	55.1	
800	35°F	0.45	64,113	35,113	44.5	43.9	
	40°F		56,255	31,234	49.0	48.2	
	45°F		372	47,889	27,444	53.4	52.3
	50°F		39,502	23,961	57.4	56.2	
1000	35°F	0.64	75,468	41,445	46.8	46.0	
	40°F		65,882	36,830	51.1	50.0	
	45°F		465	55,808	32,376	55.2	53.8
	50°F		45,671	28,261	59.0	57.5	

6 Row DX Coil							
80°F EDB / 67°F EWB							
CFM	Suction Temp.	APD FV	Total Capacity	Sensible Capacity	Leaving Air Temp.		
					DB °F	WB °F	
600	35°F	0.28	42,339	24,678	42.1	41.5	
	40°F		36,529	21,749	46.6	45.9	
	45°F		279	29,941	18,698	51.3	50.4
	50°F		22,830	15,699	55.9	54.9	
800	35°F	0.45	53,403	31,231	44.0	43.3	
	40°F		45,928	27,528	48.3	47.3	
	45°F		372	37,510	23,694	52.7	51.6
	50°F		28,699	20,025	56.9	55.7	
1000	35°F	0.64	63,493	37,263	45.7	44.7	
	40°F		53,949	32,615	49.9	48.8	
	45°F		465	44,375	28,324	53.9	52.5
	50°F		33,829	23,983	57.9	56.4	

6 Row DX Coil							
77°F EDB / 64°F EWB							
CFM	Suction Temp.	APD FV	Total Capacity	Sensible Capacity	Leaving Air Temp.		
					DB °F	WB °F	
600	35°F	0.28	37,256	23,215	41.3	40.7	
	40°F		30,999	20,041	46.2	45.4	
	45°F		279	24,236	16,903	51.0	50.1
	50°F		17,562	14,077	55.4	54.3	
800	35°F	0.45	46,946	29,401	43.1	42.2	
	40°F		38,939	25,403	47.7	46.7	
	45°F		372	30,560	21,564	52.2	51.0
	50°F		21,888	17,930	56.3	55.0	
1000	35°F	0.64	55,227	34,827	44.9	43.8	
	40°F		46,148	30,361	49.0	47.7	
	45°F		465	36,096	25,811	53.2	51.8
	50°F		25,795	21,535	57.2	55.6	

8 Row DX Coil							
85°F EDB / 71°F EWB							
CFM	Suction Temp.	APD FV	Total Capacity	Sensible Capacity	Leaving Air Temp.		
					DB °F	WB °F	
600	35°F	0.37	55,548	30,351	38.4	38.1	
	40°F		48,439	26,664	44.0	43.7	
	45°F		279	41,583	23,417	49.0	48.6
	50°F		34,275	20,265	53.9	53.4	
800	35°F	0.60	71,385	39,015	40.1	39.7	
	40°F		62,829	34,636	45.1	44.6	
	45°F		372	53,703	30,357	50.0	49.5
	50°F		43,710	26,097	54.9	54.3	
1000	35°F	0.86	84,644	46,328	43.3	41.9	
	40°F		74,975	41,497	46.8	46.2	
	45°F		465	63,850	36,386	51.5	50.8
	50°F		52,096	31,461	56.0	55.2	

8 Row DX Coil							
80°F EDB / 67°F EWB							
CFM	Suction Temp.	APD FV	Total Capacity	Sensible Capacity	Leaving Air Temp.		
					DB °F	WB °F	
600	35°F	0.37	46,657	27,074	38.4	38.1	
	40°F		39,633	23,439	44.0	43.6	
	45°F		279	32,728	21,175	49.0	48.5
	50°F		25,435	17,035	53.8	53.3	
800	35°F	0.60	59,883	34,812	39.9	39.5	
	40°F		50,705	30,131	45.3	44.8	
	45°F		372	41,732	25,950	50.1	49.5
	50°F		32,244	21,916	54.8	54.1	
1000	35°F	0.86	72,149	42,030	41.3	40.8	
	40°F		60,971	36,406	46.4	45.8	
	45°F		465	50,502	31,580	50.9	50.2
	50°F		38,576	26,555	55.5	54.7	

8 Row DX Coil							
77°F EDB / 64°F EWB							
CFM	Suction Temp.	APD FV	Total Capacity	Sensible Capacity	Leaving Air Temp.		
					DB °F	WB °F	
600	35°F	0.37	40,327	25,001	38.6	38.2	
	40°F		33,764	21,609	43.8	43.3	
	45°F		279	26,845	18,333	48.8	48.3
	50°F		19,663	15,233	53.6	53.0	
800	35°F	0.60	52,216	32,441	39.6	39.1	
	40°F		43,553	28,002	44.7	44.2	
	45°F		372	34,194	23,615	49.8	49.1
	50°F		24,934	19,660	54.4	53.6	
1000	35°F	0.86	62,262	38,880	41.2	40.6	
	40°F		51,833	33,621	46.0	45.3	
	45°F		465	40,938	28,581	50.7	49.9
	50°F		29,787	23,862	55.0	54.2	

### (R-410A) Cooling Capacity RX\*D-036

4 Row DX Coil						
85°F EDB / 71°F EWB						
CFM	Suction Temp.	APD FV	Total Capacity	Sensible Capacity	Leaving Air Temp.	
					DB °F	WB °F
900	35°F	0.24	60,207	33,160	51.0	49.6
	40°F		52,313	29,446	54.8	53.0
	45°F		44,014	25,857	58.5	56.3
	50°F		35,346	22,417	62.0	59.6
1200	35°F	0.36	73,794	40,828	53.6	51.7
	40°F		63,933	36,296	57.1	54.8
	45°F		53,615	31,928	60.5	57.8
	50°F		42,912	27,759	63.7	60.8
1500	35°F	0.54	85,766	47,678	55.7	53.3
	40°F		74,000	42,381	59.0	56.2
	45°F		61,941	37,369	62.0	59.0
	50°F		49,555	32,616	65.0	61.6

4 Row DX Coil						
80°F EDB / 67°F EWB						
CFM	Suction Temp.	APD FV	Total Capacity	Sensible Capacity	Leaving Air Temp.	
					DB °F	WB °F
900	35°F	0.24	50,459	29,765	49.5	47.9
	40°F		42,610	26,024	53.4	51.4
	45°F		34,404	22,426	57.0	54.8
	50°F		26,086	19,074	60.5	58.1
1200	35°F	0.36	61,773	36,679	51.8	49.8
	40°F		52,000	32,113	55.3	52.9
	45°F		41,848	27,740	58.7	56.0
	50°F		31,589	23,667	61.8	59.0
1500	35°F	0.54	71,790	42,896	53.6	51.2
	40°F		60,179	37,563	56.9	54.1
	45°F		48,410	32,567	60.0	57.0
	50°F		36,349	27,834	62.9	59.7

4 Row DX Coil						
77°F EDB / 64°F EWB						
CFM	Suction Temp.	APD FV	Total Capacity	Sensible Capacity	Leaving Air Temp.	
					DB °F	WB °F
900	35°F	0.24	43,715	27,789	48.5	46.7
	40°F		35,909	24,033	52.4	50.3
	45°F		28,017	20,536	56.0	53.7
	50°F		19,818	17,189	59.4	56.9
1200	35°F	0.36	53,471	34,293	50.7	48.4
	40°F		43,764	29,705	54.2	51.6
	45°F		33,993	25,440	57.5	54.7
	50°F		24,052	21,431	60.5	57.6
1500	35°F	0.54	62,050	40,133	52.3	49.7
	40°F		50,611	34,806	55.6	52.7
	45°F		38,893	29,761	58.7	55.6
	50°F		27,684	25,288	61.5	58.2

6 Row DX Coil						
85°F EDB / 71°F EWB						
CFM	Suction Temp.	APD FV	Total Capacity	Sensible Capacity	Leaving Air Temp.	
					DB °F	WB °F
900	35°F	0.35	73,873	40,434	43.6	43.1
	40°F		64,789	35,919	48.2	47.5
	45°F		55,723	31,776	52.5	51.5
	50°F		45,565	27,525	56.8	55.7
1200	35°F	0.56	92,919	50,959	45.9	45.1
	40°F		81,279	45,291	50.2	49.2
	45°F		69,048	39,823	54.4	53.2
	50°F		56,716	34,765	58.3	56.9
1500	35°F	0.82	109,087	60,021	48.1	47.1
	40°F		95,120	53,388	52.2	50.9
	45°F		80,293	46,913	56.2	54.7
	50°F		64,948	40,769	59.9	58.3

6 Row DX Coil						
80°F EDB / 67°F EWB						
CFM	Suction Temp.	APD FV	Total Capacity	Sensible Capacity	Leaving Air Temp.	
					DB °F	WB °F
900	35°F	0.35	61,740	36,048	43.1	42.4
	40°F		53,169	31,769	47.5	46.6
	45°F		43,527	27,343	52.0	51.0
	50°F		33,048	22,957	56.5	55.4
1200	35°F	0.56	77,478	45,421	45.1	44.2
	40°F		65,851	39,733	49.5	48.4
	45°F		54,207	34,494	53.5	52.2
	50°F		41,316	29,172	57.6	56.2
1500	35°F	0.82	91,704	53,983	46.8	45.7
	40°F		77,753	47,269	51.0	49.6
	45°F		63,240	40,843	54.9	53.4
	50°F		48,513	34,846	58.6	56.9

6 Row DX Coil						
77°F EDB / 64°F EWB						
CFM	Suction Temp.	APD FV	Total Capacity	Sensible Capacity	Leaving Air Temp.	
					DB °F	WB °F
900	35°F	0.35	54,300	33,925	42.3	41.5
	40°F		44,666	29,089	47.2	46.3
	45°F		35,439	24,844	51.6	50.5
	50°F		25,393	20,613	55.9	54.7
1200	35°F	0.56	67,384	42,427	44.4	43.4
	40°F		56,334	36,973	48.6	47.4
	45°F		44,066	31,401	52.9	51.5
	50°F		31,491	26,169	56.9	55.4
1500	35°F	0.82	79,741	50,502	46.0	44.7
	40°F		65,876	43,764	50.1	48.7
	45°F		51,761	37,445	54.0	52.4
	50°F		37,174	31,433	57.7	56.0

8 Row DX Coil						
85°F EDB / 71°F EWB						
CFM	Suction Temp.	APD FV	Total Capacity	Sensible Capacity	Leaving Air Temp.	
					DB °F	WB °F
900	35°F	0.47	81,818	44,709	39.2	38.9
	40°F		71,293	39,296	44.8	44.3
	45°F		61,694	34,776	49.4	48.9
	50°F		50,251	29,864	54.4	53.8
1200	35°F	0.75	103,577	56,654	41.5	41.1
	40°F		91,973	50,796	46.0	45.5
	45°F		78,999	44,542	50.8	50.1
	50°F		63,751	38,312	55.6	54.8
1500	35°F	1.09	123,766	67,801	43.3	42.9
	40°F		109,479	60,736	47.7	47.0
	45°F		93,060	53,270	52.3	51.5
	50°F		75,217	45,873	56.8	55.9

8 Row DX Coil						
80°F EDB / 67°F EWB						
CFM	Suction Temp.	APD FV	Total Capacity	Sensible Capacity	Leaving Air Temp.	
					DB °F	WB °F
900	35°F	0.47	68,822	39,965	39.1	38.7
	40°F		58,938	34,870	44.3	43.8
	45°F		48,118	29,775	49.5	49.0
	50°F		37,311	25,148	54.2	53.6
1200	35°F	0.75	87,866	51,140	40.7	40.3
	40°F		75,044	44,637	45.7	45.1
	45°F		61,068	38,156	50.7	50.0
	50°F		47,146	32,275	55.2	54.4
1500	35°F	1.09	104,360	60,964	42.5	42.0
	40°F		89,870	53,743	47.0	46.3
	45°F		73,627	46,298	51.6	50.7
	50°F		56,117	38,972	56.1	55.1

8 Row DX Coil						
77°F EDB / 64°F EWB						
CFM	Suction Temp.	APD FV	Total Capacity	Sensible Capacity	Leaving Air Temp.	
					DB °F	WB °F
900	35°F	0.47	60,037	37,228	38.9	38.4
	40°F		49,687	31,894	44.3	43.8
	45°F		39,466	27,081	49.3	48.7
	50°F		28,838	22,515	53.9	53.3
1200	35°F	0.75	76,592	47,683	40.4	39.8
	40°F		63,761	41,155	45.4	44.7
	45°F		50,019	34,756	50.3	49.6
	50°F		36,423	28,979	54.7	53.9
1500	35°F	1.09	91,866	57,427	41.7	41.1
	40°F		76,331	49,623	46.5	45.7
	45°F		59,620	41,932	51.2	50.3
	50°F		43,330	35,076	55.4	54.5



### (R-410A) Cooling Capacity RX\*D-048

4 Row DX Coil							
85°F EDB / 71°F EWB							
CFM	Suction Temp.	APD FV	Total Capacity	Sensible Capacity	Leaving Air Temp.		
					DB °F	WB °F	
1200	35°F	0.23	90,297	49,823	46.7	46.1	
	40°F		78,389	44,249	51.0	50.2	
	45°F		65,863	38,859	55.2	54.2	
	50°F		53,453	33,947	58.9	57.9	
1600	35°F	0.37	110,999	61,688	49.5	48.5	
	40°F		95,953	54,869	53.4	52.3	
	45°F		80,417	48,372	57.1	55.9	
	50°F		64,342	42,172	60.7	59.3	
2000	35°F	0.54	129,118	72,317	51.7	50.5	
	40°F		111,332	64,465	55.3	53.9	
	45°F		93,091	57,009	58.7	57.2	
	50°F		74,912	50,121	61.9	60.2	

4 Row DX Coil							
80°F EDB / 67°F EWB							
CFM	Suction Temp.	APD FV	Total Capacity	Sensible Capacity	Leaving Air Temp.		
					DB °F	WB °F	
1200	35°F	0.23	76,505	45,156	45.3	44.6	
	40°F		63,882	39,146	49.9	49.1	
	45°F		51,927	33,916	54.0	53.0	
	50°F		39,110	28,760	57.9	56.8	
1600	35°F	0.37	93,002	55,526	48.0	47.0	
	40°F		78,135	48,656	52.0	50.8	
	45°F		63,334	42,332	55.6	54.3	
	50°F		47,553	36,101	59.2	57.8	
2000	35°F	0.54	108,028	65,149	50.0	48.7	
	40°F		90,530	57,243	53.6	52.2	
	45°F		72,525	49,706	57.1	55.5	
	50°F		54,829	42,833	60.3	58.6	

4 Row DX Coil							
77°F EDB / 64°F EWB							
CFM	Suction Temp.	APD FV	Total Capacity	Sensible Capacity	Leaving Air Temp.		
					DB °F	WB °F	
1200	35°F	0.23	65,714	41,872	44.8	44.0	
	40°F		54,272	36,375	49.1	48.1	
	45°F		41,883	30,894	53.3	52.2	
	50°F		30,273	26,158	56.9	55.8	
1600	35°F	0.37	80,603	52,028	47.0	45.9	
	40°F		65,758	45,075	51.0	49.8	
	45°F		50,904	38,645	54.7	53.4	
	50°F		37,086	33,092	57.9	56.5	
2000	35°F	0.54	93,550	61,157	48.8	47.5	
	40°F		76,098	53,142	52.5	51.0	
	45°F		59,165	45,917	55.8	54.2	
	50°F		42,880	39,450	58.8	57.1	

6 Row DX Coil							
85°F EDB / 71°F EWB							
CFM	Suction Temp.	APD FV	Total Capacity	Sensible Capacity	Leaving Air Temp.		
					DB °F	WB °F	
1200	35°F	0.34	107,736	58,915	39.8	39.5	
	40°F		94,273	52,103	45.0	44.6	
	45°F		80,253	45,616	50.0	49.6	
	50°F		65,013	39,202	54.9	54.4	
1600	35°F	0.56	134,930	73,986	42.4	42.0	
	40°F		117,815	65,609	47.2	46.8	
	45°F		100,963	58,031	51.6	51.1	
	50°F		82,274	50,324	56.0	55.4	
2000	35°F	0.81	158,968	87,529	44.7	44.2	
	40°F		138,148	77,643	49.2	48.7	
	45°F		117,829	68,766	53.3	52.7	
	50°F		95,293	59,712	57.5	56.8	

6 Row DX Coil							
80°F EDB / 67°F EWB							
CFM	Suction Temp.	APD FV	Total Capacity	Sensible Capacity	Leaving Air Temp.		
					DB °F	WB °F	
1200	35°F	0.34	90,106	52,472	39.7	39.4	
	40°F		76,573	45,631	45.0	44.6	
	45°F		61,998	38,907	50.1	49.7	
	50°F		47,587	32,854	54.8	54.3	
1600	35°F	0.56	113,815	66,584	41.6	41.2	
	40°F		96,418	57,993	46.6	46.1	
	45°F		78,424	49,854	51.3	50.7	
	50°F		59,433	42,007	55.8	55.2	
2000	35°F	0.81	133,817	78,812	43.7	43.2	
	40°F		114,211	69,357	48.0	47.5	
	45°F		92,641	59,782	52.5	51.8	
	50°F		70,531	50,774	56.6	55.9	

6 Row DX Coil							
77°F EDB / 64°F EWB							
CFM	Suction Temp.	APD FV	Total Capacity	Sensible Capacity	Leaving Air Temp.		
					DB °F	WB °F	
1200	35°F	0.34	78,526	48,926	39.4	39.1	
	40°F		64,389	41,769	44.9	44.5	
	45°F		50,597	35,392	49.8	49.4	
	50°F		36,930	29,612	54.3	53.8	
1600	35°F	0.56	99,073	62,174	41.2	40.7	
	40°F		81,665	53,526	46.2	45.7	
	45°F		63,228	45,144	51.0	50.4	
	50°F		46,210	38,051	55.1	54.5	
2000	35°F	0.81	117,512	74,312	42.8	42.2	
	40°F		96,576	64,102	47.5	46.8	
	45°F		75,099	54,484	51.9	51.2	
	50°F		54,598	46,033	55.8	55.1	

8 Row DX Coil							
85°F EDB / 71°F EWB							
CFM	Suction Temp.	APD FV	Total Capacity	Sensible Capacity	Leaving Air Temp.		
					DB °F	WB °F	
1200	35°F	0.46	113,626	62,090	37.3	37.1	
	40°F		99,879	54,942	42.8	42.5	
	45°F		85,538	48,122	48.0	47.8	
	50°F		70,442	41,591	53.1	52.8	
1600	35°F	0.74	148,320	81,064	38.3	38.0	
	40°F		128,540	70,940	44.1	43.8	
	45°F		109,761	62,181	49.2	48.9	
	50°F		90,079	53,814	54.0	53.7	
2000	35°F	1.08	178,052	97,422	40.1	39.8	
	40°F		155,382	86,061	45.3	45.0	
	45°F		130,736	74,797	50.5	50.2	
	50°F		106,743	64,813	55.1	54.7	

8 Row DX Coil							
80°F EDB / 67°F EWB							
CFM	Suction Temp.	APD FV	Total Capacity	Sensible Capacity	Leaving Air Temp.		
					DB °F	WB °F	
1200	35°F	0.46	95,818	55,593	37.3	37.0	
	40°F		81,813	48,318	42.9	42.6	
	45°F		67,376	41,467	48.2	47.9	
	50°F		52,308	34,964	53.1	52.8	
1600	35°F	0.74	123,303	71,705	38.7	38.4	
	40°F		105,065	62,399	44.1	43.7	
	45°F		86,152	53,575	49.1	48.8	
	50°F		66,588	45,256	53.9	53.6	
2000	35°F	1.08	150,326	87,578	39.6	39.3	
	40°F		126,505	75,592	45.2	44.8	
	45°F		103,402	64,981	50.1	49.7	
	50°F		79,648	55,015	54.6	54.2	

8 Row DX Coil							
77°F EDB / 64°F EWB							
CFM	Suction Temp.	APD FV	Total Capacity	Sensible Capacity	Leaving Air Temp.		
					DB °F	WB °F	
1200	35°F	0.46	83,800	51,856	37.2	36.9	
	40°F		69,758	44,550	42.8	42.5	
	45°F		55,242	37,653	48.1	47.8	
	50°F		40,670	31,348	52.9	52.6	
1600	35°F	0.74	107,767	66,965	38.4	38.1	
	40°F		89,399	57,561	43.8	43.5	
	45°F		70,483	48,706	48.9	48.6	
	50°F		51,774	40,710	53.5	53.2	
2000	35°F	1.08	129,944	81,120	39.6	39.3	
	40°F		107,432	69,767	44.8	44.5	
	45°F		84,431	59,150	49.7	49.4	
	50°F		62,081	49,700	54.1	53.7	

### (R-410A) Cooling Capacity RX\*D-060

4 Row DX Coil						
85°F EDB / 71°F EWB						
CFM	Suction Temp.	APD FV	Total Capacity	Sensible Capacity	Leaving Air Temp.	
					DB °F	WB °F
1500	35°F	0.26	113,089	62,818	48.8	48.0
	40°F		100,566	57,090	52.1	52.1
	45°F	309	84,518	50,273	56.0	54.9
	50°F		67,827	43,747	59.8	58.6
2000	35°F	0.42	135,834	75,652	50.1	49.1
	40°F		117,324	67,330	54.0	52.8
	45°F	411	98,269	59,416	57.6	56.3
	50°F		78,646	51,890	61.1	59.6
2500	35°F	0.61	157,538	88,493	52.4	51.1
	40°F		135,714	78,940	55.9	54.4
	45°F	514	113,444	69,903	59.2	57.6
	50°F		90,666	61,333	62.4	60.6

4 Row DX Coil						
80°F EDB / 67°F EWB						
CFM	Suction Temp.	APD FV	Total Capacity	Sensible Capacity	Leaving Air Temp.	
					DB °F	WB °F
1500	35°F	0.26	97,374	57,806	46.7	45.9
	40°F		82,719	50,919	50.7	49.7
	45°F	309	66,582	43,921	54.7	53.6
	50°F		49,993	37,304	58.5	57.3
2000	35°F	0.42	113,783	68,123	48.6	47.5
	40°F		95,483	59,724	52.5	51.2
	45°F	411	77,318	52,009	56.0	54.7
	50°F		58,015	44,422	59.5	58.1
2500	35°F	0.61	131,850	79,793	50.6	49.3
	40°F		110,361	70,151	54.1	52.6
	45°F	514	88,335	60,985	57.5	55.9
	50°F		66,745	52,640	60.6	58.9

4 Row DX Coil						
77°F EDB / 64°F EWB						
CFM	Suction Temp.	APD FV	Total Capacity	Sensible Capacity	Leaving Air Temp.	
					DB °F	WB °F
1500	35°F	0.26	85,220	54,489	45.6	44.7
	40°F		69,613	47,057	49.9	48.8
	45°F	309	53,573	40,026	53.9	52.8
	50°F		38,881	34,074	57.4	56.1
2000	35°F	0.42	98,552	63,849	47.6	46.4
	40°F		81,040	55,683	51.3	50.0
	45°F	411	61,673	47,335	55.2	53.8
	50°F		45,316	40,792	58.2	56.7
2500	35°F	0.61	114,003	74,876	49.4	48.0
	40°F		92,734	65,170	53.0	51.4
	45°F	514	72,074	56,405	56.2	54.5
	50°F		52,422	48,621	59.1	57.3

6 Row DX Coil						
85°F EDB / 71°F EWB						
CFM	Suction Temp.	APD FV	Total Capacity	Sensible Capacity	Leaving Air Temp.	
					DB °F	WB °F
1500	35°F	0.38	131,705	72,081	40.7	40.4
	40°F		116,468	64,447	45.4	45.0
	45°F	309	99,060	56,437	50.3	49.9
	50°F		80,190	48,535	55.2	54.7
2000	35°F	0.63	168,049	92,148	42.5	42.2
	40°F		145,087	80,949	47.7	47.2
	45°F	411	124,385	71,698	52.0	51.4
	50°F		101,157	62,171	56.3	55.7
2500	35°F	0.91	195,631	107,835	45.2	44.8
	40°F		169,964	95,744	49.7	49.1
	45°F	514	143,516	84,236	53.9	53.2
	50°F		117,202	73,791	57.8	57.0

6 Row DX Coil						
80°F EDB / 67°F EWB						
CFM	Suction Temp.	APD FV	Total Capacity	Sensible Capacity	Leaving Air Temp.	
					DB °F	WB °F
1500	35°F	0.38	111,476	64,966	40.1	39.7
	40°F		94,696	56,521	45.3	44.9
	45°F	309	76,621	48,215	50.4	49.9
	50°F		58,791	40,751	55.0	54.5
2000	35°F	0.63	140,305	82,193	42.1	41.7
	40°F		118,972	71,710	47.0	46.4
	45°F	411	96,637	61,653	51.6	51.0
	50°F		73,232	52,017	56.0	55.4
2500	35°F	0.91	164,691	97,164	44.2	43.7
	40°F		140,551	85,591	48.4	47.8
	45°F	514	113,887	73,813	52.8	52.1
	50°F		86,727	62,792	56.9	56.1

6 Row DX Coil						
77°F EDB / 64°F EWB						
CFM	Suction Temp.	APD FV	Total Capacity	Sensible Capacity	Leaving Air Temp.	
					DB °F	WB °F
1500	35°F	0.38	97,125	60,591	39.8	39.4
	40°F		79,630	51,767	45.2	44.8
	45°F	309	62,459	43,856	50.1	49.6
	50°F		45,653	36,767	54.4	53.9
2000	35°F	0.63	121,001	76,209	41.9	41.4
	40°F		100,679	66,192	46.5	46.0
	45°F	411	78,551	56,149	51.1	50.5
	50°F		56,995	47,180	55.3	54.6
2500	35°F	0.91	144,716	91,716	43.2	42.6
	40°F		118,896	79,182	47.8	47.1
	45°F	514	92,381	67,355	52.2	51.4
	50°F		67,575	57,154	55.9	55.2

8 Row DX Coil						
85°F EDB / 71°F EWB						
CFM	Suction Temp.	APD FV	Total Capacity	Sensible Capacity	Leaving Air Temp.	
					DB °F	WB °F
1500	35°F	0.51	141,158	77,138	37.6	37.3
	40°F		123,996	68,248	43.1	42.8
	45°F	309	106,124	59,731	48.3	48.0
	50°F		87,445	51,727	53.2	52.9
2000	35°F	0.83	183,760	100,450	38.7	38.4
	40°F		160,866	88,755	44.1	43.8
	45°F	411	135,819	77,090	49.5	49.1
	50°F		111,472	66,783	54.2	53.9
2500	35°F	1.22	220,443	120,660	40.5	40.2
	40°F		192,185	106,574	45.7	45.4
	45°F	514	163,236	93,376	50.6	50.2
	50°F		131,971	80,387	55.4	54.9

8 Row DX Coil						
80°F EDB / 67°F EWB						
CFM	Suction Temp.	APD FV	Total Capacity	Sensible Capacity	Leaving Air Temp.	
					DB °F	WB °F
1500	35°F	0.51	119,050	69,095	37.5	37.3
	40°F		101,696	60,106	43.1	42.8
	45°F	309	83,743	51,607	48.3	48.0
	50°F		64,975	43,523	53.3	52.9
2000	35°F	0.83	154,539	89,840	38.6	38.3
	40°F		130,200	77,429	44.3	44.0
	45°F	411	106,783	66,540	49.3	49.0
	50°F		82,587	56,278	54.1	53.7
2500	35°F	1.22	186,103	108,505	40.0	39.7
	40°F		157,893	94,342	45.2	44.9
	45°F	514	127,972	80,621	50.3	49.9
	50°F		98,535	68,307	54.8	54.4

8 Row DX Coil						
77°F EDB / 64°F EWB						
CFM	Suction Temp.	APD FV	Total Capacity	Sensible Capacity	Leaving Air Temp.	
					DB °F	WB °F
1500	35°F	0.51	104,130	64,477	37.4	37.1
	40°F		86,693	55,427	42.9	42.6
	45°F	309	68,710	46,898	48.2	47.9
	50°F		50,553	39,053	53.0	52.7
2000	35°F	0.83	133,561	83,078	38.7	38.4
	40°F		110,822	71,475	44.1	43.7
	45°F	411	87,416	60,548	49.1	48.7
	50°F		64,240	50,661	53.7	53.3
2500	35°F	1.22	162,327	101,317	39.6	39.3
	40°F		132,978	86,537	45.1	44.7
	45°F	514	104,374	73,375	49.9	49.5
	50°F		76,824	61,755	54.2	53.8

### (R-410A) Cooling Capacity RX\*D-090

4 Row DX Coil						
85°F EDB / 71°F EWB						
CFM	Suction Temp.	APD FV	Total Capacity	Sensible Capacity	Leaving Air Temp.	
					DB °F	WB °F
2250	35°F	0.38	168,947	93,183	46.8	46.1
	40°F		146,853	82,820	51.1	50.2
	45°F		123,874	72,901	55.1	54.1
	50°F		100,956	63,793	58.9	57.7
3000	35°F	0.57	207,421	115,217	49.6	48.6
	40°F		179,734	103,642	53.5	52.3
	45°F		151,128	90,641	57.2	55.8
	50°F		121,568	79,193	60.7	59.2
3750	35°F	0.77	240,958	134,887	51.8	50.6
	40°F		208,308	120,445	55.4	53.9
	45°F		174,631	106,641	58.8	57.2
	50°F		141,305	93,970	61.9	60.1

4 Row DX Coil						
80°F EDB / 67°F EWB						
CFM	Suction Temp.	APD FV	Total Capacity	Sensible Capacity	Leaving Air Temp.	
					DB °F	WB °F
2250	35°F	0.38	142,022	83,887	45.6	44.9
	40°F		121,110	73,907	49.7	48.8
	45°F		98,182	63,818	53.9	52.8
	50°F		74,261	54,148	57.8	56.7
3000	35°F	0.57	174,179	103,881	48.1	47.1
	40°F		146,777	91,181	52.0	50.8
	45°F		119,408	79,445	55.6	54.3
	50°F		89,478	67,590	59.2	57.8
3750	35°F	0.77	202,166	121,770	50.1	48.8
	40°F		169,930	107,162	53.7	52.2
	45°F		137,864	93,672	57.0	55.4
	50°F		103,957	80,434	60.2	58.5

4 Row DX Coil						
77°F EDB / 64°F EWB						
CFM	Suction Temp.	APD FV	Total Capacity	Sensible Capacity	Leaving Air Temp.	
					DB °F	WB °F
2250	35°F	0.38	123,351	78,487	44.8	44.0
	40°F		102,458	68,413	49.0	48.0
	45°F		79,512	58,212	53.2	52.1
	50°F		57,626	49,245	56.8	55.7
3000	35°F	0.57	151,190	97,426	47.1	45.9
	40°F		123,940	84,619	51.0	49.7
	45°F		96,616	72,736	54.7	53.3
	50°F		70,350	62,136	57.9	56.4
3750	35°F	0.77	175,353	114,412	48.9	47.5
	40°F		143,229	99,610	52.5	51.0
	45°F		111,282	85,945	55.9	54.2
	50°F		81,242	73,972	58.8	57.1

6 Row DX Coil						
85°F EDB / 71°F EWB						
CFM	Suction Temp.	APD FV	Total Capacity	Sensible Capacity	Leaving Air Temp.	
					DB °F	WB °F
2250	35°F	0.57	199,260	109,012	40.3	40.0
	40°F		176,560	97,570	45.0	44.7
	45°F		150,552	85,525	50.0	49.5
	50°F		122,159	73,558	54.9	54.4
3000	35°F	0.85	253,271	138,838	42.3	42.0
	40°F		218,833	121,992	47.5	47.1
	45°F		187,793	108,078	51.8	51.3
	50°F		152,922	93,734	56.2	55.6
3750	35°F	1.16	295,973	163,004	44.9	44.5
	40°F		257,455	144,765	49.4	48.8
	45°F		219,986	128,411	53.4	52.8
	50°F		178,340	111,679	57.6	56.8

6 Row DX Coil						
80°F EDB / 67°F EWB						
CFM	Suction Temp.	APD FV	Total Capacity	Sensible Capacity	Leaving Air Temp.	
					DB °F	WB °F
2250	35°F	0.57	168,401	98,076	39.8	39.5
	40°F		143,320	85,401	45.0	44.6
	45°F		116,260	72,911	50.1	49.7
	50°F		89,457	61,641	54.8	54.3
3000	35°F	0.85	212,306	124,236	41.8	41.4
	40°F		180,310	108,447	46.7	46.2
	45°F		146,858	93,311	51.3	50.8
	50°F		111,567	78,715	55.8	55.2
3750	35°F	1.16	251,874	148,180	43.6	43.1
	40°F		213,239	129,515	48.2	47.6
	45°F		173,301	111,784	52.5	51.8
	50°F		132,326	95,078	56.6	55.9

6 Row DX Coil						
77°F EDB / 64°F EWB						
CFM	Suction Temp.	APD FV	Total Capacity	Sensible Capacity	Leaving Air Temp.	
					DB °F	WB °F
2250	35°F	0.57	146,837	91,497	39.5	39.1
	40°F		120,596	78,211	45.0	44.5
	45°F		95,054	66,392	49.8	49.3
	50°F		69,548	55,590	54.2	53.7
3000	35°F	0.85	185,145	116,197	41.3	40.8
	40°F		152,755	100,107	46.2	45.7
	45°F		118,730	84,628	51.0	50.4
	50°F		86,919	71,352	55.1	54.5
3750	35°F	1.16	219,312	138,721	42.9	42.3
	40°F		180,646	119,861	47.5	46.9
	45°F		140,861	102,030	51.9	51.2
	50°F		102,578	86,231	55.8	55.0

8 Row DX Coil						
85°F EDB / 71°F EWB						
CFM	Suction Temp.	APD FV	Total Capacity	Sensible Capacity	Leaving Air Temp.	
					DB °F	WB °F
2250	35°F	0.75	212,465	116,102	37.4	37.2
	40°F		186,826	102,787	42.9	42.6
	45°F		160,113	90,093	48.1	47.8
	50°F		132,053	77,956	53.1	52.8
3000	35°F	1.19	276,104	150,923	38.6	38.4
	40°F		241,657	133,310	44.0	43.7
	45°F		204,061	115,786	49.4	49.1
	50°F		167,514	100,303	54.2	53.8
3750	35°F	1.56	331,855	181,611	40.4	40.1
	40°F		289,460	160,429	45.6	45.2
	45°F		246,082	140,606	50.4	50.1
	50°F		199,143	121,060	55.2	54.8

8 Row DX Coil						
80°F EDB / 67°F EWB						
CFM	Suction Temp.	APD FV	Total Capacity	Sensible Capacity	Leaving Air Temp.	
					DB °F	WB °F
2250	35°F	0.75	179,015	103,882	37.4	37.2
	40°F		153,061	90,418	43.0	42.7
	45°F		126,126	77,644	48.2	47.9
	50°F		97,996	65,506	53.2	52.9
3000	35°F	1.19	232,626	135,198	38.5	38.2
	40°F		196,115	116,543	44.2	43.9
	45°F		161,014	100,187	49.2	48.9
	50°F		124,600	84,713	54.0	53.6
3750	35°F	1.56	280,258	163,340	39.9	39.5
	40°F		235,788	141,014	45.3	45.0
	45°F		193,121	121,448	50.2	49.8
	50°F		148,860	102,892	54.7	54.3

8 Row DX Coil						
77°F EDB / 64°F EWB						
CFM	Suction Temp.	APD FV	Total Capacity	Sensible Capacity	Leaving Air Temp.	
					DB °F	WB °F
2250	35°F	0.75	156,622	96,948	37.3	37.0
	40°F		130,576	83,408	42.8	42.5
	45°F		103,545	70,566	48.1	47.8
	50°F		76,296	58,774	52.9	52.6
3000	35°F	1.19	201,069	125,007	38.6	38.3
	40°F		167,013	107,597	43.9	43.6
	45°F		131,863	91,156	49.0	48.6
	50°F		97,017	76,265	53.6	53.2
3750	35°F	1.56	244,741	152,640	39.5	39.1
	40°F		200,544	130,330	45.0	44.6
	45°F		157,765	110,601	49.8	49.4
	50°F		116,132	93,004	54.1	53.7

### (R-410A) Cooling Capacity RX\*D-120

4 Row DX Coil						
85°F EDB / 71°F EWB						
CFM	Suction Temp.	APD FV	Total Capacity	Sensible Capacity	Leaving Air Temp.	
					DB °F	WB °F
3000	35°F	0.31	219,976	121,555	47.7	46.9
	40°F	0.41	191,093	108,135	51.8	50.8
	45°F	322	161,008	95,257	55.7	54.6
	50°F	344	129,849	82,983	59.5	58.3
4000	35°F	0.46	269,235	149,948	50.4	49.4
	40°F	0.61	232,901	133,610	54.2	52.9
	45°F	430	195,651	118,122	57.8	56.3
	50°F	446	157,264	103,366	61.2	59.6
5000	35°F	0.70	311,290	174,921	52.8	51.4
	40°F	0.83	269,085	156,453	56.2	54.6
	45°F	537	225,531	138,763	59.4	57.7
	50°F	557	180,731	121,877	62.5	60.6

4 Row DX Coil						
80°F EDB / 67°F EWB						
CFM	Suction Temp.	APD FV	Total Capacity	Sensible Capacity	Leaving Air Temp.	
					DB °F	WB °F
3000	35°F	0.31	184,890	109,492	46.4	45.5
	40°F	0.41	156,178	95,926	50.5	49.5
	45°F	322	127,500	83,419	54.4	53.3
	50°F	344	95,695	70,648	58.3	57.1
4000	35°F	0.46	225,960	135,233	48.8	47.7
	40°F	0.61	190,139	118,772	52.6	51.3
	45°F	430	154,481	103,594	56.1	54.7
	50°F	446	116,651	88,684	59.6	58.0
5000	35°F	0.70	261,291	158,091	50.9	49.5
	40°F	0.83	219,421	139,287	54.3	52.7
	45°F	537	176,439	121,364	57.6	55.9
	50°F	557	134,001	104,914	60.7	58.8

4 Row DX Coil						
77°F EDB / 64°F EWB						
CFM	Suction Temp.	APD FV	Total Capacity	Sensible Capacity	Leaving Air Temp.	
					DB °F	WB °F
3000	35°F	0.31	160,603	102,539	45.5	44.6
	40°F	0.41	133,138	89,390	49.5	48.5
	45°F	322	103,222	76,172	53.6	52.4
	50°F	344	74,831	64,593	57.2	55.0
4000	35°F	0.46	196,078	126,914	47.8	46.5
	40°F	0.61	160,460	110,298	51.6	50.2
	45°F	430	124,759	94,873	55.1	53.6
	50°F	446	91,260	81,418	58.2	56.7
5000	35°F	0.70	226,572	148,652	49.6	48.1
	40°F	0.83	184,754	129,534	53.1	51.4
	45°F	537	142,426	111,564	56.4	54.6
	50°F	557	105,287	96,841	59.1	57.3

6 Row DX Coil						
85°F EDB / 71°F EWB						
CFM	Suction Temp.	APD FV	Total Capacity	Sensible Capacity	Leaving Air Temp.	
					DB °F	WB °F
3000	35°F	0.46	260,704	142,734	41.1	40.8
	40°F	0.61	228,177	126,563	46.1	45.7
	45°F	322	194,335	111,142	50.9	50.4
	50°F	334	158,943	96,401	55.4	54.9
4000	35°F	0.73	326,789	179,522	43.6	43.2
	40°F	0.91	284,801	159,298	48.3	47.8
	45°F	430	243,876	141,157	52.5	51.9
	50°F	446	198,345	122,611	56.7	56.1
5000	35°F	1.05	350,769	200,772	47.9	47.2
	40°F	1.25	336,415	189,714	50.0	49.4
	45°F	537	287,264	168,425	54.0	53.2
	50°F	557	232,837	146,698	58.0	57.2

6 Row DX Coil						
80°F EDB / 67°F EWB						
CFM	Suction Temp.	APD FV	Total Capacity	Sensible Capacity	Leaving Air Temp.	
					DB °F	WB °F
3000	35°F	0.46	221,557	129,161	40.3	40.0
	40°F	0.61	188,396	112,498	45.4	45.0
	45°F	322	152,802	96,152	50.5	50.0
	50°F	334	117,627	81,420	55.0	54.5
4000	35°F	0.73	275,540	161,710	42.7	42.3
	40°F	0.91	236,185	142,467	47.2	46.6
	45°F	430	192,464	122,798	51.7	51.1
	50°F	446	146,131	103,739	56.1	55.4
5000	35°F	1.05	325,955	192,471	44.5	44.0
	40°F	1.25	278,586	169,817	48.7	48.0
	45°F	537	226,278	146,740	53.0	52.2
	50°F	557	172,857	125,067	56.0	56.1

6 Row DX Coil						
77°F EDB / 64°F EWB						
CFM	Suction Temp.	APD FV	Total Capacity	Sensible Capacity	Leaving Air Temp.	
					DB °F	WB °F
3000	35°F	0.46	193,052	120,495	40.0	39.6
	40°F	0.61	158,634	103,154	45.3	44.9
	45°F	322	124,901	87,609	50.1	49.6
	50°F	334	91,473	73,496	54.4	53.9
4000	35°F	0.73	242,595	152,609	41.8	41.3
	40°F	0.91	200,310	131,721	46.6	46.1
	45°F	430	155,527	111,441	51.3	50.7
	50°F	446	113,985	113,985	55.3	54.6
5000	35°F	1.05	286,525	181,776	43.5	42.9
	40°F	1.25	236,076	157,329	48.0	47.3
	45°F	537	184,105	134,154	52.3	51.5
	50°F	557	134,939	113,925	56.0	55.2

8 Row DX Coil						
85°F EDB / 71°F EWB						
CFM	Suction Temp.	APD FV	Total Capacity	Sensible Capacity	Leaving Air Temp.	
					DB °F	WB °F
3000	35°F	0.62	280,988	153,556	37.8	37.6
	40°F	0.81	247,089	136,034	43.2	42.9
	45°F	322	211,554	119,223	48.4	48.1
	50°F	334	174,414	103,224	53.3	53.0
4000	35°F	0.98	363,025	198,500	39.3	39.0
	40°F	1.22	317,574	175,449	44.6	44.3
	45°F	430	267,861	152,453	49.9	49.5
	50°F	446	219,436	132,080	54.6	54.2
5000	35°F	1.40	407,598	230,789	42.3	42.3
	40°F	1.67	381,092	211,517	46.0	46.7
	45°F	537	323,778	185,477	50.8	50.4
	50°F	557	262,007	159,881	55.5	55.1

8 Row DX Coil						
80°F EDB / 67°F EWB						
CFM	Suction Temp.	APD FV	Total Capacity	Sensible Capacity	Leaving Air Temp.	
					DB °F	WB °F
3000	35°F	0.62	279,719	152,873	38.0	37.8
	40°F	0.81	245,487	135,242	43.5	43.2
	45°F	322	209,907	118,481	48.6	48.3
	50°F	334	172,751	102,542	53.5	53.2
4000	35°F	0.98	363,025	198,500	39.3	39.0
	40°F	1.22	317,574	175,449	44.6	44.3
	45°F	430	267,861	152,453	49.9	49.5
	50°F	446	219,436	132,080	54.6	54.2
5000	35°F	1.40	346,350	209,383	41.3	41.3
	40°F	1.67	297,753	185,689	45.6	45.6
	45°F	537	246,851	162,116	50.0	50.0
	50°F	557	194,518	140,661	54.0	54.0

8 Row DX Coil						
77°F EDB / 64°F EWB						
CFM	Suction Temp.	APD FV	Total Capacity	Sensible Capacity	Leaving Air Temp.	
					DB °F	WB °F
3000	35°F	0.62	207,200	128,361	37.6	37.3
	40°F	0.81	172,770	110,521	43.0	42.7
	45°F	322	137,025	93,584	48.2	47.9
	50°F	334	101,065	78,050	53.0	52.7
4000	35°F	0.98	265,411	165,205	38.9	38.6
	40°F	1.22	220,324	142,246	44.2	43.9
	45°F	430	174,058	120,679	49.2	48.8
	50°F	446	128,089	101,081	53.7	53.3
5000	35°F	1.40	321,882	201,103	39.9	39.6
	40°F	1.67	263,987	172,024	45.3	44.9
	45°F	537	207,756	146,189	50.1	49.6
	50°F	557	153,063	123,135	54.3	53.8

### (R-410A) Cooling Capacity RX\*D-180

4 Row DX Coil						
85°F EDB / 71°F EWB						
CFM	Suction Temp.	APD FV	Total Capacity	Sensible Capacity	Leaving Air Temp.	
					DB °F	WB °F
5000	35°F	0.41	348,614	193,472	49.3	48.4
	40°F	0.51	302,253	172,339	53.2	52.1
	45°F	381	254,321	152,164	57.0	55.6
	50°F	400	206,538	133,579	60.4	58.9
6000	35°F	0.55	394,593	220,289	51.2	50.0
	40°F	0.66	341,438	196,574	54.8	53.4
	45°F	457	286,581	173,917	58.3	56.7
	50°F	480	230,383	152,434	61.6	59.9
7000	35°F	0.70	435,967	244,930	52.8	51.4
	40°F	0.82	376,905	219,072	56.2	54.6
	45°F	533	316,032	194,332	59.4	57.6
	50°F	560	253,849	170,874	62.5	60.6

4 Row DX Coil						
80°F EDB / 67°F EWB						
CFM	Suction Temp.	APD FV	Total Capacity	Sensible Capacity	Leaving Air Temp.	
					DB °F	WB °F
5000	35°F	0.41	292,841	174,438	47.8	46.8
	40°F	0.51	246,951	153,103	51.8	50.6
	45°F	381	201,064	133,369	55.4	54.1
	50°F	400	151,932	113,843	59.0	57.6
6000	35°F	0.55	331,213	198,811	49.5	48.2
	40°F	0.66	278,730	174,850	53.1	51.7
	45°F	457	226,389	152,689	56.5	55.0
	50°F	480	170,974	130,938	59.9	58.2
7000	35°F	0.70	365,974	221,370	50.9	49.4
	40°F	0.82	307,467	195,079	54.3	52.7
	45°F	533	249,374	170,811	57.5	55.8
	50°F	560	188,010	146,981	60.6	58.8

4 Row DX Coil						
77°F EDB / 64°F EWB						
CFM	Suction Temp.	APD FV	Total Capacity	Sensible Capacity	Leaving Air Temp.	
					DB °F	WB °F
5000	35°F	0.41	254,272	163,586	46.8	45.7
	40°F	0.51	208,699	142,103	50.8	49.5
	45°F	381	162,835	122,106	54.5	53.1
	50°F	400	118,949	104,157	57.8	56.4
6000	35°F	0.55	287,420	186,716	48.3	47.0
	40°F	0.66	235,248	162,514	52.0	50.6
	45°F	457	182,917	140,003	55.5	53.9
	50°F	480	133,986	120,410	58.5	56.8
7000	35°F	0.70	317,428	208,181	49.6	48.1
	40°F	0.82	259,255	181,567	53.1	51.4
	45°F	533	199,829	156,317	56.4	54.6
	50°F	560	147,694	135,636	59.1	57.3

6 Row DX Coil						
85°F EDB / 71°F EWB						
CFM	Suction Temp.	APD FV	Total Capacity	Sensible Capacity	Leaving Air Temp.	
					DB °F	WB °F
5000	35°F	0.62	400,345	225,806	43.2	42.9
	40°F	0.77	373,326	207,396	46.8	46.3
	45°F	381	317,670	182,196	51.4	50.9
	50°F	400	259,623	158,153	55.8	55.3
6000	35°F	0.83	448,222	254,444	45.8	45.5
	40°F	0.99	392,405	229,305	49.7	49.3
	45°F	457	364,831	211,092	52.6	52.0
	50°F	480	297,731	183,729	56.8	56.1
7000	35°F	1.06	489,938	280,526	47.9	47.3
	40°F	1.24	427,697	252,404	51.6	51.0
	45°F	533	404,636	236,801	53.8	53.1
	50°F	560	332,530	207,868	57.6	56.8

6 Row DX Coil						
80°F EDB / 67°F EWB						
CFM	Suction Temp.	APD FV	Total Capacity	Sensible Capacity	Leaving Air Temp.	
					DB °F	WB °F
5000	35°F	0.62	340,188	204,980	42.1	41.8
	40°F	0.77	307,198	183,958	46.1	45.6
	45°F	381	249,381	157,573	51.0	50.4
	50°F	400	182,606	133,894	55.3	54.7
6000	35°F	0.83	380,870	231,531	44.3	44.0
	40°F	0.99	353,283	213,042	47.3	46.7
	45°F	457	288,538	183,890	51.8	51.1
	50°F	480	220,428	155,789	56.1	55.4
7000	35°F	1.06	416,317	255,736	46.2	45.6
	40°F	1.24	392,237	238,745	48.6	47.9
	45°F	533	323,190	208,130	52.6	51.9
	50°F	560	248,015	177,414	56.6	55.8

6 Row DX Coil						
77°F EDB / 64°F EWB						
CFM	Suction Temp.	APD FV	Total Capacity	Sensible Capacity	Leaving Air Temp.	
					DB °F	WB °F
5000	35°F	0.62	314,787	196,926	40.7	40.2
	40°F	0.77	261,118	170,011	45.7	45.1
	45°F	381	204,109	143,820	50.5	49.9
	50°F	400	150,192	121,122	54.7	54.1
6000	35°F	0.83	362,386	227,970	42.0	41.4
	40°F	0.99	300,207	197,238	46.7	46.1
	45°F	457	236,168	168,148	51.2	50.5
	50°F	480	172,215	141,451	55.3	54.6
7000	35°F	1.06	365,167	242,009	45.0	44.4
	40°F	1.24	336,342	222,960	47.6	46.9
	45°F	533	263,825	190,397	51.9	51.2
	50°F	560	193,805	161,408	55.7	54.9

8 Row DX Coil						
85°F EDB / 71°F EWB						
CFM	Suction Temp.	APD FV	Total Capacity	Sensible Capacity	Leaving Air Temp.	
					DB °F	WB °F
5000	35°F	0.82	452,476	254,873	37.9	37.9
	40°F	1.02	399,458	227,597	42.9	42.9
	45°F	381	343,219	201,264	47.8	47.8
	50°F	400	284,536	175,575	52.5	52.5
6000	35°F	1.11	514,472	290,326	40.2	40.2
	40°F	1.33	452,683	259,739	45.0	45.0
	45°F	457	387,508	230,394	49.5	49.5
	50°F	480	320,104	201,605	53.9	53.9
7000	35°F	1.34	569,556	322,544	42.4	42.4
	40°F	1.65	499,680	289,202	46.8	46.8
	45°F	533	426,345	256,105	51.2	51.2
	50°F	560	351,091	225,787	55.2	55.2

8 Row DX Coil						
80°F EDB / 67°F EWB						
CFM	Suction Temp.	APD FV	Total Capacity	Sensible Capacity	Leaving Air Temp.	
					DB °F	WB °F
5000	35°F	0.82	384,485	230,156	37.4	37.4
	40°F	1.02	332,580	203,247	42.4	42.4
	45°F	381	276,807	170,783	48.5	48.2
	50°F	400	216,274	149,725	53.3	53.0
6000	35°F	1.11	437,165	262,836	39.5	39.5
	40°F	1.33	376,895	232,577	44.1	44.1
	45°F	457	322,408	200,341	49.2	48.9
	50°F	480	251,003	169,917	53.9	53.5
7000	35°F	1.34	483,972	292,649	41.3	41.3
	40°F	1.65	416,023	259,556	45.7	45.7
	45°F	533	344,863	226,634	50.1	50.1
	50°F	560	283,485	194,111	54.4	54.0

8 Row DX Coil						
77°F EDB / 64°F EWB						
CFM	Suction Temp.	APD FV	Total Capacity	Sensible Capacity	Leaving Air Temp.	
					DB °F	WB °F
5000	35°F	0.82	337,246	215,493	37.1	37.1
	40°F	1.02	286,032	183,126	43.2	42.9
	45°F	381	228,084	155,685	48.3	48.0
	50°F	400	169,067	130,163	53.0	52.6
6000	35°F	1.11	383,454	246,749	39.0	39.0
	40°F	1.33	324,238	216,730	43.6	43.6
	45°F	457	265,169	182,729	48.9	48.5
	50°F	480	196,236	153,173	53.5	53.1
7000	35°F	1.34	424,510	275,405	40.6	40.6
	40°F	1.65	357,900	242,507	45.0	45.0
	45°F	533	300,108	208,739	49.5	49.1
	50°F	560	222,107	175,549	53.9	53.4

### (R-410A) Cooling Capacity RX\*D-240

4 Row DX Coil						
85°F EDB / 71°F EWB						
CFM	Suction Temp.	APD FV	Total Capacity	Sensible Capacity	Leaving Air Temp.	
					DB °F	WB °F
7000	35°F	0.45	480,710	267,171	49.8	48.8
	40°F	0.55	416,579	238,105	53.6	52.4
	45°F	400	350,333	210,360	57.3	55.9
	50°F	420	282,009	183,932	60.8	59.3
8000	35°F	0.55	526,124	293,719	51.2	50.0
	40°F	0.66	455,251	262,099	54.8	53.4
	45°F	457	382,108	231,889	58.3	56.7
	50°F	480	307,178	203,245	61.6	59.9
9000	35°F	0.66	568,184	318,680	52.4	51.0
	40°F	0.78	491,125	284,787	55.8	54.3
	45°F	514	411,952	252,485	59.1	57.4
	50°F	540	330,429	221,641	62.3	60.5

4 Row DX Coil						
80°F EDB / 67°F EWB						
CFM	Suction Temp.	APD FV	Total Capacity	Sensible Capacity	Leaving Air Temp.	
					DB °F	WB °F
7000	35°F	0.45	403,673	240,926	48.3	47.2
	40°F	0.55	340,261	211,587	52.1	50.9
	45°F	400	276,853	184,432	55.7	54.3
	50°F	420	207,603	157,026	59.3	57.9
8000	35°F	0.55	441,617	265,081	49.5	48.2
	40°F	0.66	371,639	233,133	53.1	51.7
	45°F	457	301,852	203,586	56.5	55.0
	50°F	480	227,965	174,585	59.9	58.2
9000	35°F	0.66	476,775	287,840	50.5	49.2
	40°F	0.78	400,710	253,530	54.0	52.5
	45°F	514	325,099	221,843	57.3	55.6
	50°F	540	243,384	190,056	60.5	58.7

4 Row DX Coil						
77°F EDB / 64°F EWB						
CFM	Suction Temp.	APD FV	Total Capacity	Sensible Capacity	Leaving Air Temp.	
					DB °F	WB °F
7000	35°F	0.45	350,594	226,095	47.2	46.1
	40°F	0.55	287,521	196,487	51.1	50.8
	45°F	400	224,165	168,959	54.8	53.3
	50°F	420	163,356	144,432	58.0	56.5
8000	35°F	0.55	383,226	248,955	48.3	47.0
	40°F	0.66	313,664	216,686	52.0	50.6
	45°F	457	243,889	186,670	55.5	53.9
	50°F	480	178,648	160,547	58.5	56.8
9000	35°F	0.66	413,580	270,603	49.3	47.8
	40°F	0.78	337,931	235,880	52.8	51.2
	45°F	514	262,526	203,724	56.1	54.4
	50°F	540	192,003	175,674	59.0	57.2

6 Row DX Coil						
85°F EDB / 71°F EWB						
CFM	Suction Temp.	APD FV	Total Capacity	Sensible Capacity	Leaving Air Temp.	
					DB °F	WB °F
7000	35°F	0.67	550,628	310,998	43.9	43.9
	40°F	0.82	511,679	285,085	47.5	47.0
	45°F	400	439,630	252,720	51.7	51.2
	50°F	420	358,934	219,441	56.1	55.5
8000	35°F	0.83	597,629	339,259	45.8	45.8
	40°F	0.99	523,207	305,740	49.7	49.3
	45°F	457	486,441	281,456	52.6	52.0
	50°F	480	396,974	244,972	56.8	56.1
9000	35°F	1.00	640,021	365,610	47.4	46.8
	40°F	1.17	559,094	328,720	51.2	50.6
	45°F	514	530,312	308,878	53.4	52.7
	50°F	540	432,016	269,223	57.4	56.7

6 Row DX Coil						
80°F EDB / 67°F EWB						
CFM	Suction Temp.	APD FV	Total Capacity	Sensible Capacity	Leaving Air Temp.	
					DB °F	WB °F
7000	35°F	0.67	467,888	282,500	42.7	42.4
	40°F	0.82	425,231	255,107	46.4	45.9
	45°F	400	348,192	220,033	51.0	50.5
	50°F	420	266,549	186,031	55.5	54.9
8000	35°F	0.83	507,826	308,709	44.3	44.0
	40°F	0.99	471,043	284,056	47.3	46.7
	45°F	457	384,717	245,187	51.8	51.1
	50°F	480	293,904	207,719	56.1	55.4
9000	35°F	1.00	543,848	333,163	45.8	45.1
	40°F	1.17	513,959	311,599	48.1	47.5
	45°F	514	419,810	269,631	52.4	51.7
	50°F	540	322,290	229,680	56.5	55.7

6 Row DX Coil						
77°F EDB / 64°F EWB						
CFM	Suction Temp.	APD FV	Total Capacity	Sensible Capacity	Leaving Air Temp.	
					DB °F	WB °F
7000	35°F	0.67	435,945	273,108	41.0	40.6
	40°F	0.82	361,818	236,072	45.9	45.4
	45°F	400	282,743	199,853	50.7	50.1
	50°F	420	207,745	168,357	54.8	54.2
8000	35°F	0.83	483,182	303,960	42.0	41.4
	40°F	0.99	400,276	262,983	46.7	46.1
	45°F	457	314,891	224,197	51.2	50.5
	50°F	480	229,621	188,602	55.3	54.6
9000	35°F	1.00	477,029	315,104	44.6	44.0
	40°F	1.17	436,795	288,900	47.4	46.7
	45°F	514	340,215	245,460	51.9	51.1
	50°F	540	250,375	208,250	55.7	54.9

8 Row DX Coil						
85°F EDB / 71°F EWB						
CFM	Suction Temp.	APD FV	Total Capacity	Sensible Capacity	Leaving Air Temp.	
					DB °F	WB °F
7000	35°F	0.89	624,923	352,112	38.5	38.5
	40°F	1.10	551,219	314,563	43.4	43.4
	45°F	400	473,152	278,372	48.2	48.2
	50°F	420	397,656	236,754	53.8	53.5
8000	35°F	1.10	685,963	387,101	40.2	40.2
	40°F	1.33	603,578	346,319	45.0	45.0
	45°F	457	516,677	307,192	49.5	49.5
	50°F	480	443,808	265,996	54.4	54.0
9000	35°F	1.17	741,825	419,670	41.9	41.9
	40°F	1.57	651,271	376,071	46.3	46.3
	45°F	514	556,120	332,791	50.8	50.8
	50°F	540	458,298	293,191	54.9	54.9

8 Row DX Coil						
80°F EDB / 67°F EWB						
CFM	Suction Temp.	APD FV	Total Capacity	Sensible Capacity	Leaving Air Temp.	
					DB °F	WB °F
7000	35°F	0.89	531,019	318,176	38.0	38.0
	40°F	1.10	458,934	281,109	42.9	42.9
	45°F	400	384,607	237,718	48.7	48.4
	50°F	420	300,366	201,548	53.5	53.1
8000	35°F	1.10	582,887	350,448	39.5	39.5
	40°F	1.33	502,526	310,102	44.1	44.1
	45°F	457	429,877	267,121	49.2	48.9
	50°F	480	334,671	226,556	53.9	53.5
9000	35°F	1.17	630,355	380,575	40.9	40.9
	40°F	1.57	542,235	337,338	45.3	45.3
	45°F	514	472,749	295,417	49.7	49.3
	50°F	540	367,543	250,918	54.3	53.9

8 Row DX Coil						
77°F EDB / 64°F EWB						
CFM	Suction Temp.	APD FV	Total Capacity	Sensible Capacity	Leaving Air Temp.	
					DB °F	WB °F
7000	35°F	0.89	465,776	298,110	37.6	37.6
	40°F	1.10	397,612	254,919	43.4	43.1
	45°F	400	316,735	216,722	48.5	48.1
	50°F	420	234,764	181,350	53.1	52.8
8000	35°F	1.10	511,272	328,999	39.0	39.0
	40°F	1.33	432,318	288,973	43.6	43.6
	45°F	457	353,558	243,639	48.9	48.5
	50°F	480	261,648	204,230	53.5	53.1
9000	35°F	1.17	552,908	357,941	40.2	40.2
	40°F	1.57	466,478	314,982	44.6	44.6
	45°F	514	388,674	269,737	49.4	49.0
	50°F	540	287,534	226,625	53.8	53.4

