



HOT WATER THERMOMETER

MODEL BRHW

FEATURES:

- An economical and accurate means to measure air or water temperatures
- Separable thermowell with optional sweat well
- Bimetallic element
- Dual scale (Fahrenheit & Celsius)
- Easy to install
- 1/2" NPT Connection
- 1 year warranty

SPECIFICATIONS:

- 2.5" dial (63mm), aluminum case
- Glass lens
- 1/2" NPT Connection
- Bi-metallic sensing element
- Recalibrator Standard
- Accuracy: ± 1



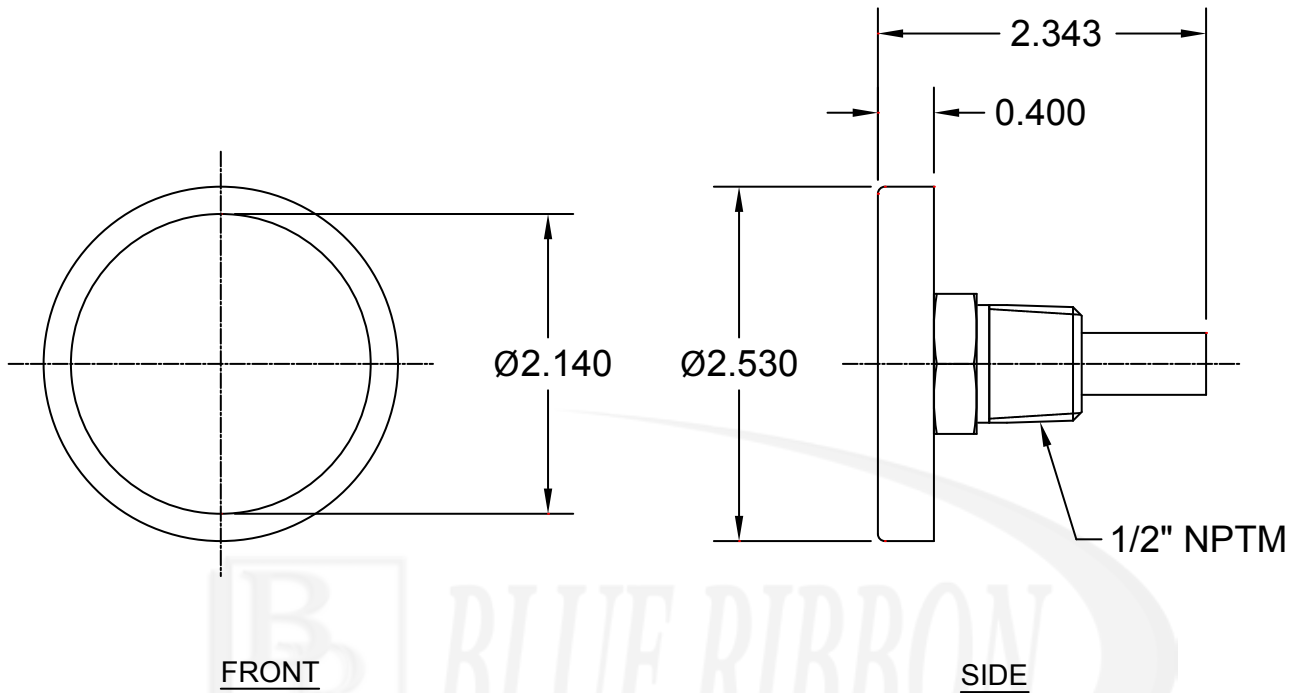
Model BRHW
Hot Water Thermometer

Part Number	Temp. Range	Connection
BRHW	30 to 240 °F	1/2" NPT
BRHW-SW	30 to 240 °F	3/4" Sweat Well

HOT WATER THERMOMETERS

DIMENSIONAL DRAWING

All dimensions are in inches (mm)



FRONT **SIDE**
BLUE RIBBON

BRHW

2.5" hot water thermometer

All specifications are for reference purposes only. In the interests of continuous product improvement, all specifications are subject to change without notice. Please contact Blue Ribbon Corporation for assistance with your application.

