



## PVC SUBMERSIBLE LEVEL TRANSMITTER

### MODEL BR313G

#### FEATURES:

- 1.25" (3.175 cm) diameter poly vinyl chloride housing
- Available with bullet nose or flush ceramic diaphragm
- 0 to 2 PSI thru 0 to 300 PSI (5 FTWC thru 692 FTWC)
- Corrosion resistant, leak-proof construction
- 4-20 mA output

#### APPLICATIONS:

- Submersible pump lift station level monitoring
- Water tanks and reservoirs
- Process sumps
- Water and wastewater level monitoring
- Water recycling
- Other aggressive media

#### PRODUCT OVERVIEW:

Model BR313G utilizes a flush ceramic sensor to reduce grease and bio-solid buildup and minimize cleanup. The chemical resistant PVC provides stability and continued performance under the harsh conditions associated with waste water and other aggressive media applications.

#### FIELD OPTIONS:

- Additional lengths, Tefzel® or Hytrel jacketed cable
- 0-5Vdc output
- SAE-4, flush ceramic, or bullet nose process connection
- ATEX/IEC Intrinsically Safe: II 1 G Ex ia IIC T5 Gc
- ATEX Zone 2: II 3 G Ex nA/ic IIC T5 Gc



Model BR313G  
PVC Submersible Level Transmitter

**BR5SL-TX-007**  
REV-C

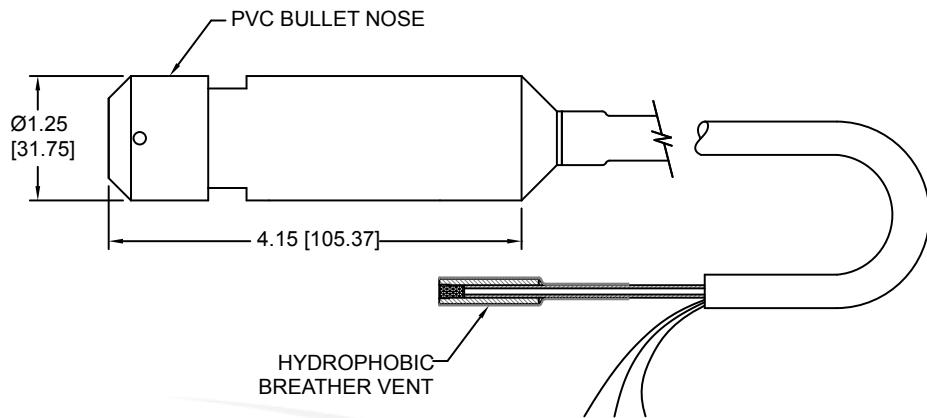
# PVC SUBMERSIBLE LEVEL TRANSMITTER

## DIMENSIONAL DRAWING

All dimensions are in inches (mm)

### STANDARD WIRING

WIRE	MODEL 313G
RED	+EXC/SIG
BLK	-EXC/SIG
GRN	N/C
WHT	N/C
SHIELD	OPEN



## REFERENCE SPECIFICATIONS

ELECTRICAL	MECHANICAL
<ul style="list-style-type: none"> <li>• <b>Supply Voltage:</b> 9 to 36 Vdc</li> <li>• <b>Output Signal:</b> 4-20 mA output</li> <li>• <b>Circuit Protection:</b> Short circuit or reversed wired – Indefinite</li> <li>• <b>Load Resistance:</b> 1400 Ω max. at 40 Vdc excitation</li> <li>• <b>Response Time:</b> ≤5 ms to 90%</li> <li>• <b>Connection:</b> Molded Hytel jacketed, 6-conductor with breather tube, 24 AWG, 8' long, optional lengths available, Tefzel® jacketed cable optional</li> </ul>	<ul style="list-style-type: none"> <li>• <b>Zero Balance and FSO:</b> ±1.0% FSO @ +70 °F</li> <li>• <b>Process Connection:</b> Flush ceramic, options available</li> <li>• <b>External Pressure:</b> Rated to 500 PSI (1,153 ft WC) max.</li> <li>• <b>Proof Pressure:</b> 2X FSO</li> <li>• <b>Burst Pressure:</b> 4X FSO</li> <li>• <b>Approximate Weight:</b> 10 oz (0.3 kg) nominal, options may increase weight</li> <li>• <b>Diameter:</b> 1.25" (3.175 cm)</li> </ul>
MATERIALS OF CONSTRUCTION	PRESSURE RANGES
<ul style="list-style-type: none"> <li>• <b>Housing:</b> Poly vinyl chloride</li> <li>• <b>Wetted Material:</b> Ceramic Al<sub>2</sub>O<sub>3</sub> 96%</li> </ul>	<ul style="list-style-type: none"> <li>• 0-2psi thru 300 psi ( 7FTWC- 692 FTWC)</li> </ul>
STATIC ACCURACY (RSS) (HYSTERESIS, NON-LINEARITY & REPEATABILITY @ +70 °F)	THERMAL SPECIFICATIONS
<ul style="list-style-type: none"> <li>• <b>Standard:</b> ±0.5% FSO, ±0.2% FSO, and ±0.1% FSO</li> </ul>	<ul style="list-style-type: none"> <li>• <b>Compensated:</b> 32 °F to +140 °F (0 °C to +60 °C)</li> <li>• <b>Operating:</b> 32 °F to +170 °F (0 °C to +76 °C)</li> <li>• <b>Storage:</b> -40 °F to +150 °F (-40 °C to +65.5 °C)</li> <li>• <b>Effect on Zero/Span:</b> &lt;±2.0% FSO/100 °F at full scale</li> </ul>

All specifications are for reference purposes only. In the interests of continuous product improvement, all specifications are subject to change without notice. Please contact Blue Ribbon Corporation for assistance with your application.

